

PROGENY VANTAGE® DIGITAL PANORAMIC SYSTEM

Extraoral X-rays let you keep track of growth and development, examine the bones of the face and relationship between teeth and jaws, and show the status of impacted teeth. Experience the ease of use and improved patient comfort with the Progeny Vantage Digital Panoramic System, designed to improve the way you work.

With an integrated Microsoft® Windows®-based computer, Vantage lets you set up exams and deliver diagnostic images chairside, giving you more time with the patient for positioning and image review. The Progeny Vantage Panoramic System delivers the features necessary to support efficient imaging workflow in your practice and improve patient care.

Right: Open, compact design optimizes space requirements and is ceph-upgradeable for expanded exam capabilities.



01

FEATURES FOR THE WAY YOU WORK

01 EASY TO USE

- Five pre-programmed exam settings, including pediatric, bitewing, and TMJ, minimize exam set-up time and allow routine diagnostic exams to be performed.
- The easy-to-use, tablet-like Vantage Touch® operator panel provides exam selections, technique factors and a sample exam image with a simple touch or swipe.
- The image is immediately captured on the Vantage Touch display for a quick assessment before releasing the patient.

- Progeny Clarity™ enhanced filter set and automatic spinal compensation provide enhanced Diagnostic imaging quality for accurate diagnosis.



02

02 IMAGE CLARITY

- 3-motion technology for superior image quality allows multi-dimensional arm movements to provide the proper imaging geometry needed to capture undistorted panoramic images and diagnostic bitewing X-rays with open contacts. This gives access to more exam types and provides superior image quality for better diagnostics and an enhanced patient experience.

03 BUILT IN POSITIONING TOOLS AND TRAINING

- Exclusive focal-trough alignment reminder assists in consistent patient positioning.
- Online training videos can be accessed and viewed on the Vantage Touch operator panel.
- Positioning training for staff is offered for the first 60 days, from activation, at no charge through the exclusive Vantage Trust® remote support and training service.



03

04 IMPROVED WORKFLOW

- Open, compact design optimizes space requirements, allows for face-to-face patient positioning capabilities.
- Ceph upgradeable for expanded extraoral exam capabilities.
- Progeny® Imaging Software included for download on an unlimited number of operatory workstations with no additional user fees.



04

VANTAGE SPECIFICATIONS

Generator	High frequency, constant potential
Filtration	3.2 mmAl
Line current	15 A at 120 VAC, 8 A at 230 VAC
Sensor type	CCD digital
SID	500 mm
Focal spot	0.5 mm
mA	4 - 14 mA +/- 20%
kV	54 - 84 kV +/- 10%
Spinal compensation	Automatic kV adjustment
Patient entry	Field Configurable
Panoramic programs	Adult panoramic Enhanced panoramic TMJ, open and closed Bitewing Pediatric panoramic Vertical segmentation
Control	LCD Touch Screen
Mounting options	Wall-mount bracket Floor installation base (optional)
Weight (pan only)	220 lb (99.79 kg)
Actual product dimensions	Width: 48" (122 cm) Depth: 48" (122 cm) Height: 93" (236 cm)
Ceph upgrade capability	Left or Right Mount

Specifications are subject to change without notice.

ORDERING GUIDE

The Progeny Vantage Digital Panoramic System includes a wall-mount bracket, 25-ft corded push-button X-ray switch, wall-mounted push-button X-ray switch, and Progeny Imaging Software with DICOM, TWAIN client, user guide and installation manual.

V5000	Vantage Digital Panoramic System
60-A1015*	Vantage Free-Standing Base
30-A2044	Lighted Remote Exposure Switch
60-P0017	Chin Rest
60-P0018	Bite Piece
60-P0044	TMJ Positioner
60-S0027	Bite Block Sheaths, 500/Box
60-S0036	TMJ/Wand Sheaths, 500/Box
VANTRUST	Vantage Trust Service - 3-month subscription

*Only for use on model V5000

VANTAGE NETWORK REQUIREMENTS

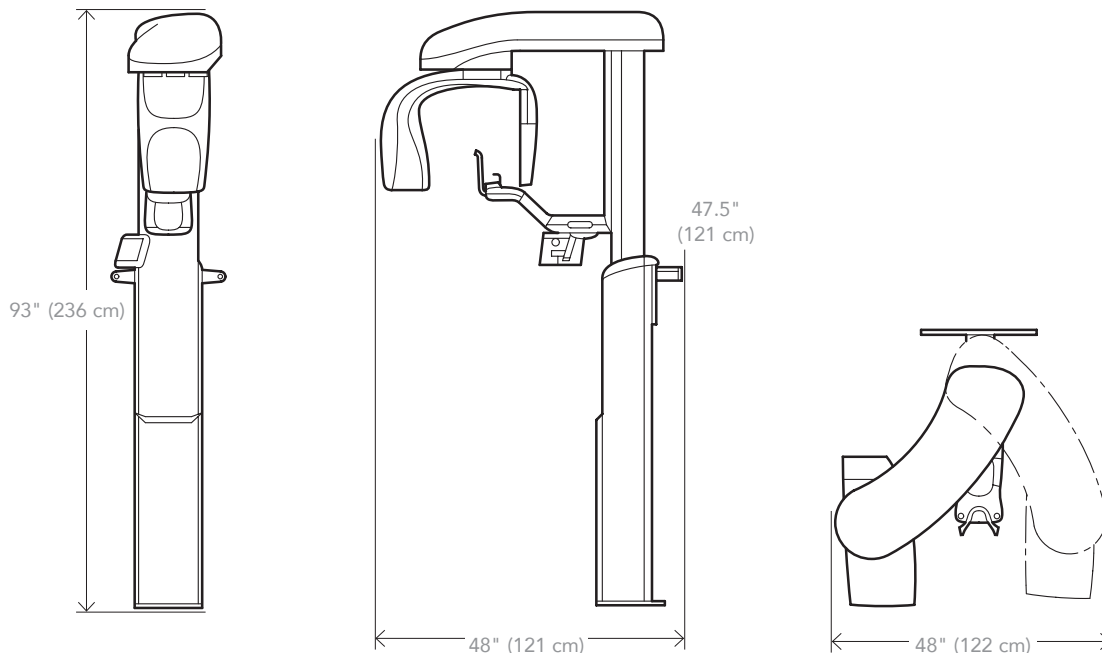
All communication components within the practice network are required to operate at the rate of 100 megabits per second or higher. Progeny Imaging Software Requirements: please see midmark.com.



HOW-TO VIDEOS

Visit our playlist for instructional videos about the Progeny Vantage 2D Panoramic System.

midmark.com/panoramicxray



Microsoft and Windows are registered trademarks owned by Microsoft Corporation.

007-10043-00 Rev. B1 (12/18)
© 2018 Midmark Corporation, Miamisburg, Ohio USA All rights reserved.

