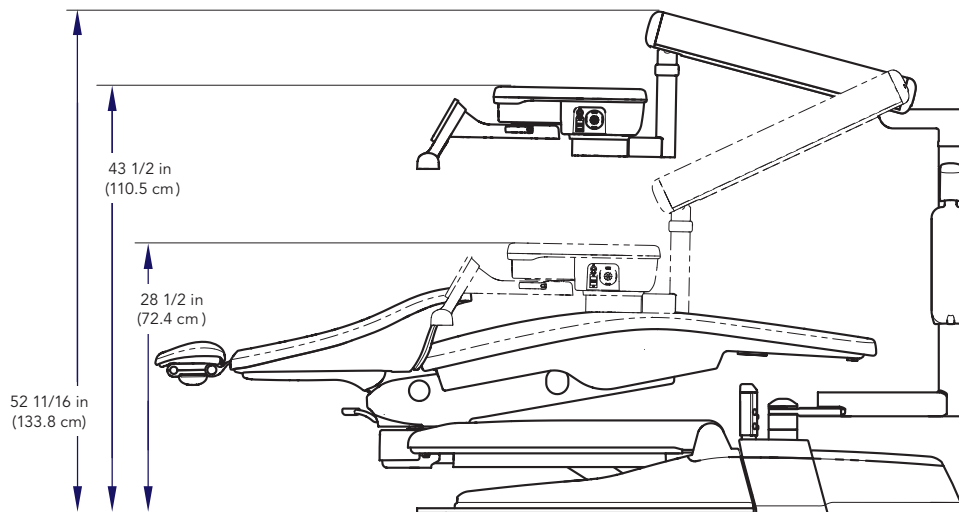
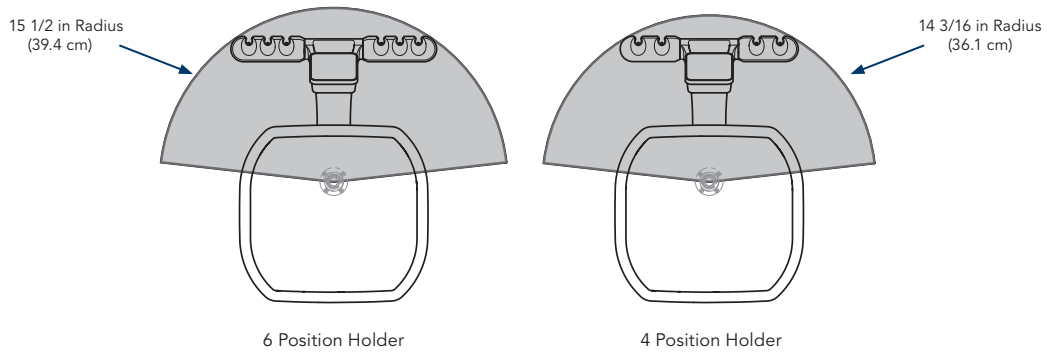
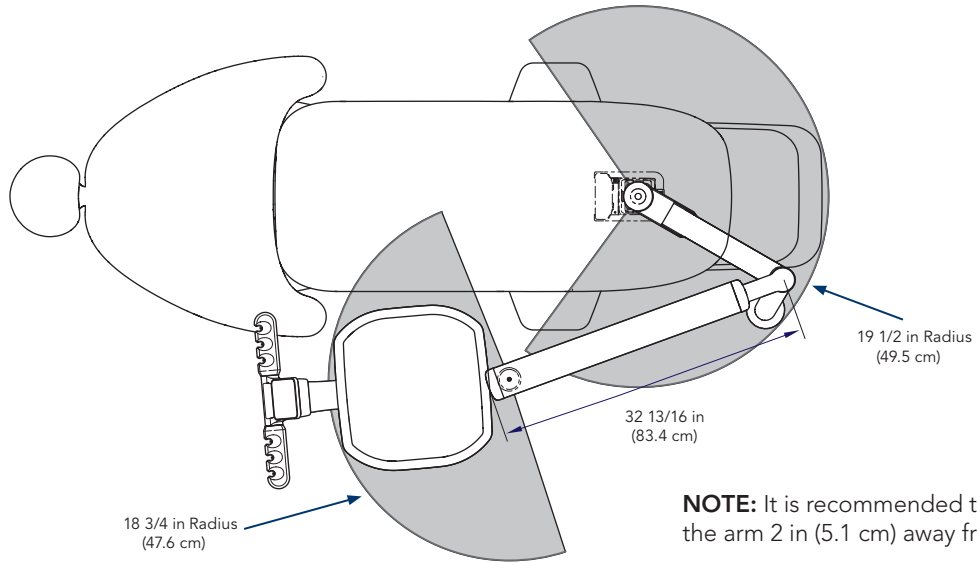
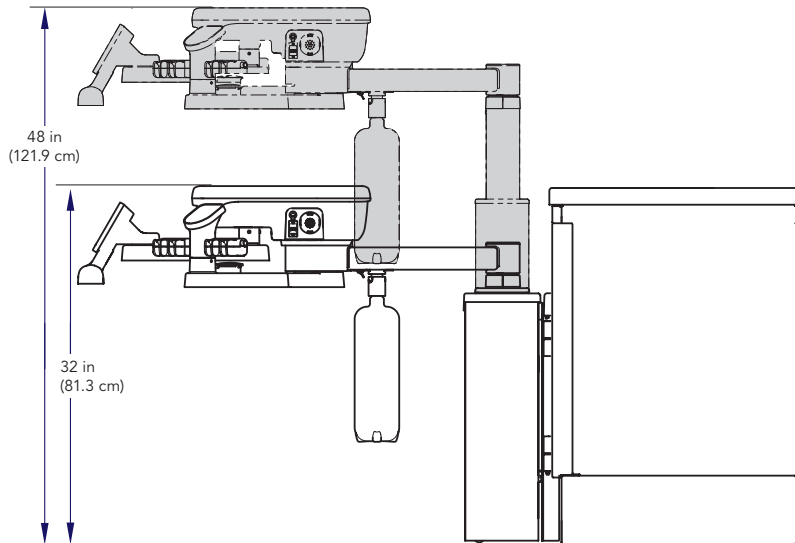
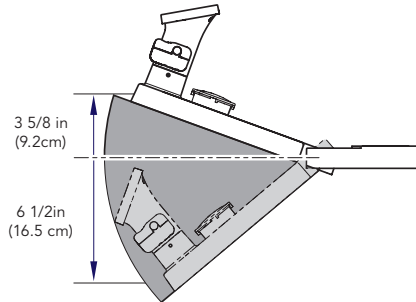
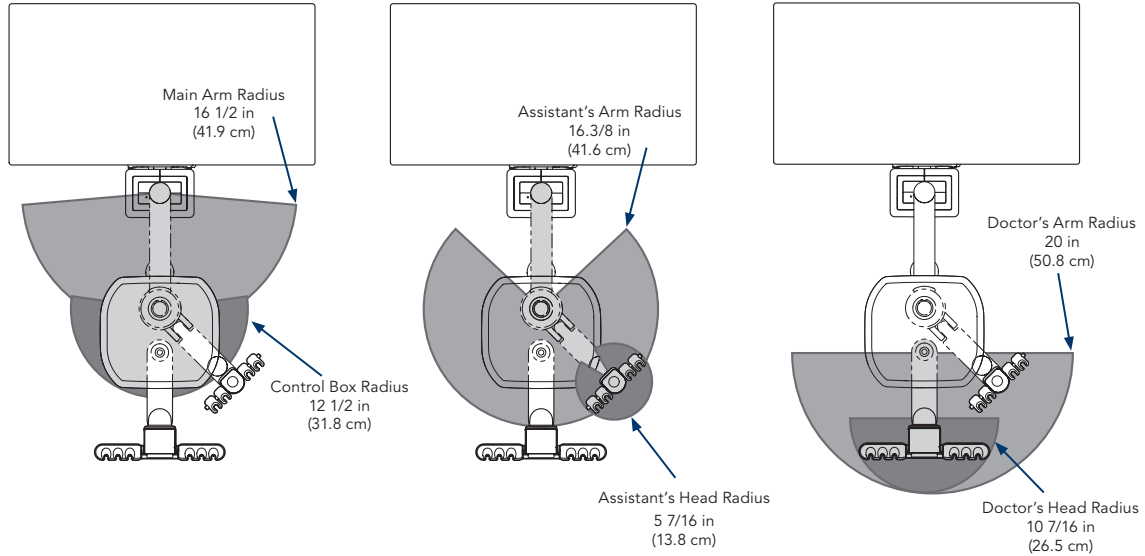


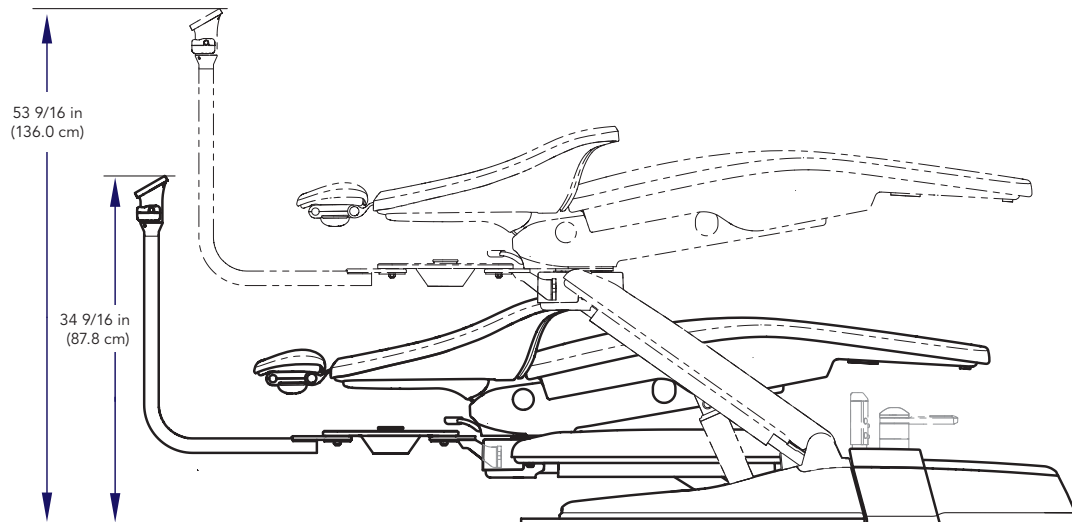
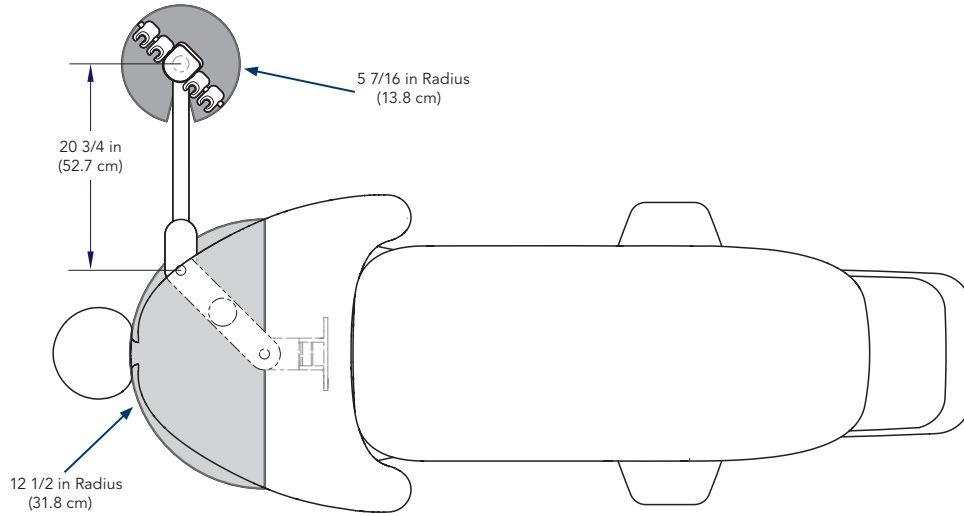
LEFT-RIGHT CHAIR MOUNTED DOCTORS DELIVERY SYSTEM



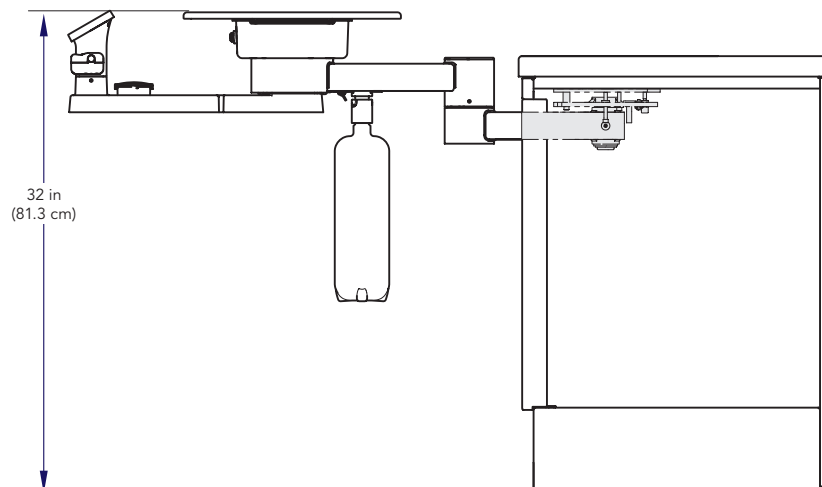
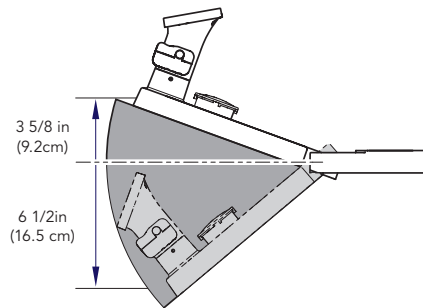
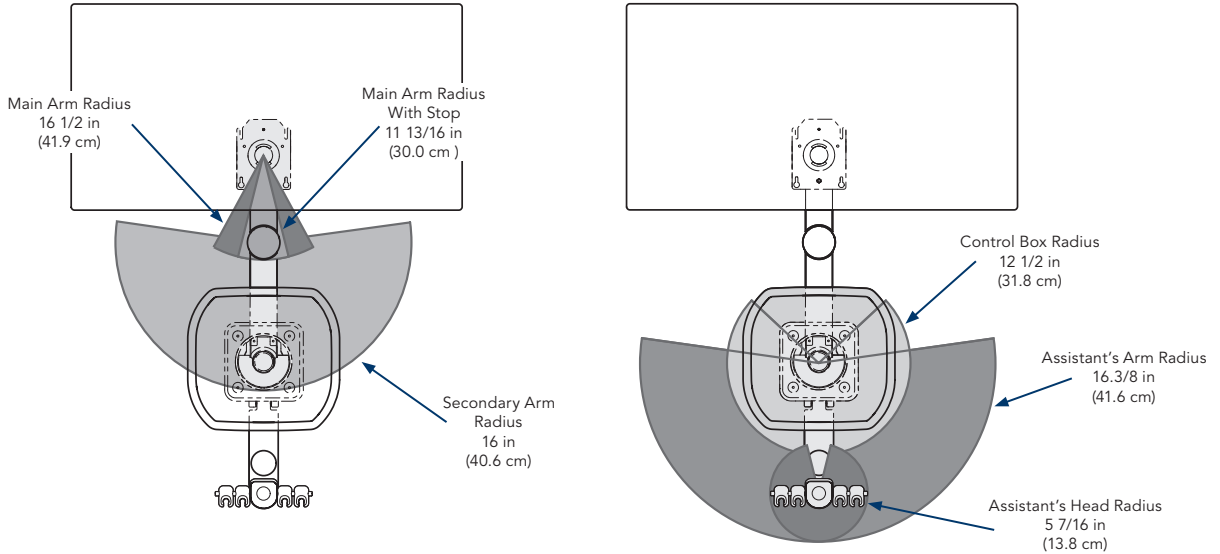
12 O'CLOCK COLUMN-MOUNTED DOCTOR'S DELIVERY SYSTEM



CHAIR MOUNTED ASSISTANT'S DELIVERY SYSTEM



CABINET-MOUNTED ASSISTANT'S DELIVERY SYSTEM



SPECIFICATION

Electrical Rating Doctor's System	See Power Supply IFU (003-10761-00) (output 36 VDC, 5.5 amp) Only connect the delivery system to an approved Midmark power supply.
Electrical Rating Assistant's System w/Touch Pad	See Chair IFU. (output 12 VDC, 1.7 amp)
Water Supply Requirements	Water Pressure Limit 40 - 50 PSI (2.1 -3.4 bar) Water Flow Rate Limit: 1.25 GPM Water Hardness Limit: 10 ppm TDS pH Limits: per local code Maximum Particle Size: per local code Requirements for Microbiological Quality: per local code
Suction System	Type 1: 250 NI/min
Electrical Rating	120 V~ 60 Hz, 8A
Air Pressure and Flow Rate to Handpieces	Drive Air, 60 NI/min @ 45 psi Coolant Air, 1.5 NI/min @ 35 psi Handpiece Drive Air Limit, 80 NI/min @ 29 psig Syringe Air, 10 NI/min @ 43.5 psig Powder Jet Air, 40 NI/min @ 36.3 psig
Classifications	Class I, Type B Applied Part, Ordinary Equipment (IPX0), Continuous Operation
Acteon® Newtron® Scaler	Type BF Applied Part
Dentsply® Cavitron® Scaler	Type B Applied Part
ISO 14457:2017	Handpiece tubing and connectors intended to be used with compliant air-driven handpieces

CONNECTIVITY

Network Protocols		Link Layer: IEEE 802.3, IEEE 802.11 Internet Layer: IP Transport: TCP, UDP App Layer: TLS, MQTT, NTP, HTTP, etc.
Network Data	LAN Physical Connection	RJ-45
	LAN Cabling	Ethernet (min. CAT 5)
	LAN Max Speeds	10/100 Mbps
	LAN Protocols	IEEE 802.3u
	Wi-Fi Connection	The device supports connectivity to Wi-Fi using the following standards: 802.11a/b/g/n/ac
	Operational Frequency	2.4 GHz or 5.0 GHz
	Wi-Fi Security Standards	When connecting to Wi-Fi, the device uses the following security standards: WPA2-PSK, WPA2 PEAP/MSCHAPv2, WPA2 EAP-TLS
	Network Interface Card Parameters	Not Applicable

DELIVERY SYSTEM OPTIONS

Midmark Dental Delivery System	Left/Right Doctor's Delivery System DS-1100-001	12 O'Clock Doctor's Delivery System DS-1200-001	Left/Right Assistant's Delivery System ADS-1100-001	12 O'Clock Assistant's Delivery System ADS-1200-001
Mount Options	Midmark Dental Chair	Midmark Cabinetry Height-Adjustable Column	Midmark Dental Chair	Midmark Cabinetry
Arm System and Movement Abilities	Balanced flexarm with positive positioning and brake	Manual height-adjustable controls and worksurface (doctor's and assistant's)	Motion with the Midmark Dental Chair	Limited height adjustment for assistant's worksurface
Integration	Acteon® Ultrasonic Piezo Scaler (Newtron Slim B.LED); Dentsply® Sirona Ultrasonic Cavitron Scaler (Steri-Mate® 360)	Acteon® Ultrasonic Piezo Scaler (Newtron Slim B.LED); Dentsply® Sirona Ultrasonic Cavitron Scaler (Steri-Mate® 360)	Zyris® Isolite Pro	Zyris Isolite Pro
Ancillary Accommodation	15' (4.5 m) USB 2.0 cable	15' (4.5 m) USB 2.0 cable	N/A	N/A
Input Voltage	36 VDC	36 VDC	N/A	N/A
Handpiece Holder Positions	4 or 6 positions	4 or 6 positions	4 positions	4 positions
Left- and Right-Handed User Compatibility	Yes	Yes	Yes	Yes
User Interface	Touchpad chair controls	Touchpad chair controls or none	Touchpad chair controls	Touchpad chair controls or none
Software Updatable	Software updatable via Midmark Dental Chair connection or alternative service method	Software updatable via Midmark Dental Chair connection or alternative service method	Software updatable via Midmark Dental Chair connection or alternative service method	Software updatable via Midmark Dental Chair connection or alternative service method
Control Manifold	2–5 air and water positions	2–5 air and water positions	N/A	N/A
Water Coolant, Air Coolant + Drive Air Adjustable	Yes	Yes	N/A	N/A
Water Selector – City or Bottle	Yes	Yes	Yes – with doctor's system (DS-1100-001)	Yes
Intraoral Light Source	Available with air-driven handpieces and 6-pin (ISO-C) handpiece tubing	Available with air-driven handpieces and 6-pin (ISO-C) handpiece tubing	N/A	N/A
Flush Control	Yes	Yes	N/A	N/A
Foot Control – Rheostat	Wet/dry disc with water on/off switch	Wet/dry disc with water on/off switch	N/A	N/A
Accessory Quick Connect	Yes – air and water	Yes – air and water	N/A	Yes – air and water
Water Bottle Quick Connect	Yes – 2 L	Yes – 2 L	Yes – with doctor's system (DS-1100-001), 2 L	Yes – 2 L

Acteon, Cavitron, Dentsply, Steri-Mate, Newtron, and Zyris Isolite are not trademarks of Midmark Corporation and are the sole property of their respective owners.

© 2026 Midmark Corporation, Versailles, Ohio USA All rights reserved. Products subject to improvement changes without notice. Litho in USA.

007-10535-00 Rev B1 (3/26)

