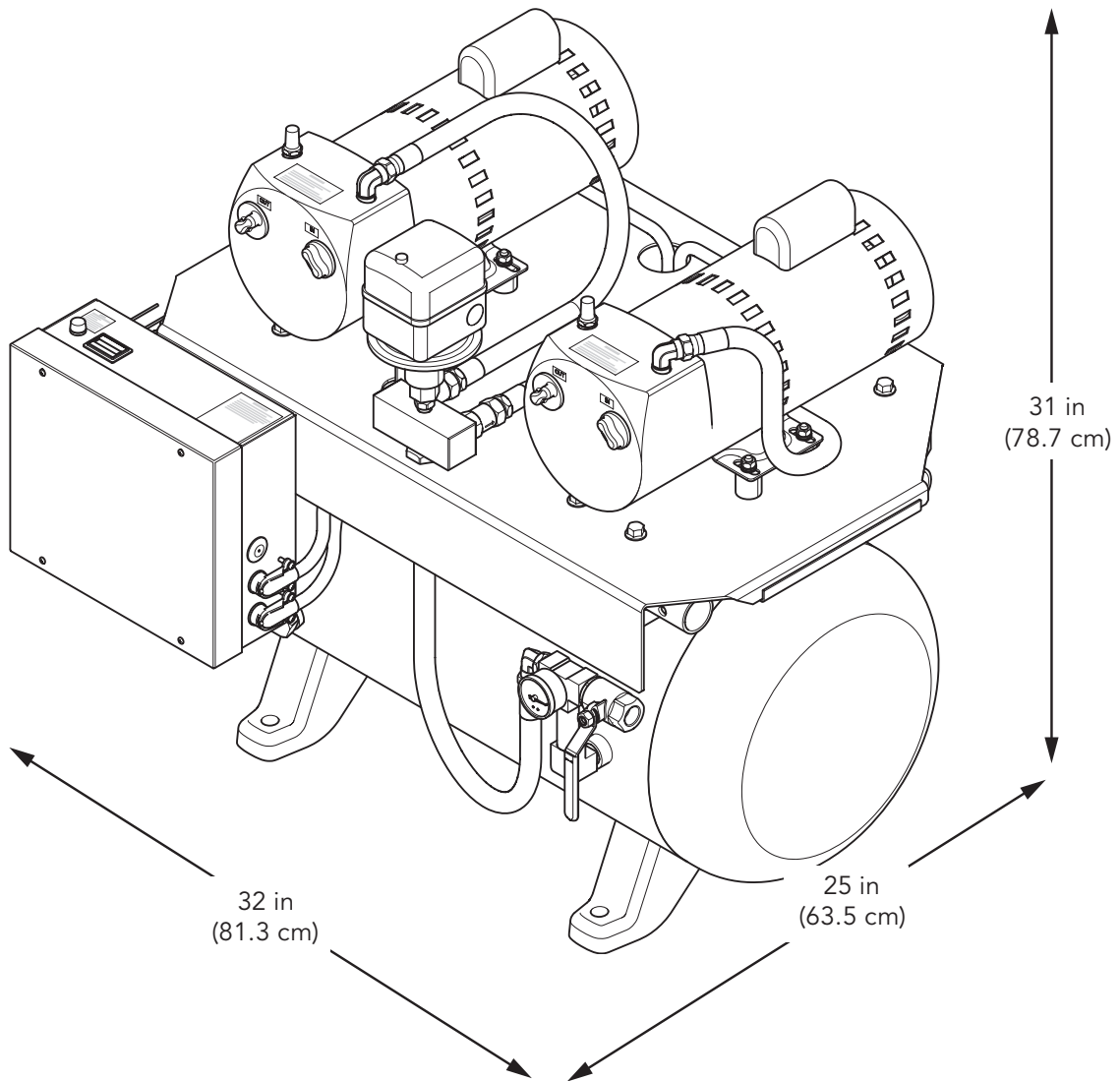


DENTAL

Midmark PowerMax High-Performance Vacuums



SPECIFICATIONS

Model/Order No.	PM-1	PM-3	PM-4
User Capacity	1	2-3	3-4
CFM Maximum	8 CFM	16 CFM	24 CFM
Horsepower	1 at 3/4 hp	2 at 3/4 hp	3 at 3/4 hp
Volts / Frequency	230 V 50/60 Hz	230 V 50/60 Hz	230 V 50/60 Hz
Total Amps	5.1 A	9.7 A	14.3 A
Circuit Breaker	20 A	20 A	20 A
Temperature Range	40-104 °F	40-104 °F	40-104 °F
Tank Capacity	20 gal	20 gal	20 gal
Overall Size (H x W x D)	31" x 32" x 25"	31" x 32" x 25"	34" x 38" x 27"
Shipping Weight	205 lb	255 lb	355 lb