

Even in times when a dental practice is operating intermittently and may not be using a sterilizer regularly, routine maintenance is still necessary to keep the sterilizer performing efficiently.

M9/M11 STERILIZERS - AFTER DAILY USE

Clean External Surfaces

STEP 1: Wash the exterior of the sterilizer each day after use according to your facility's procedure for clinical contact surfaces. Use only quaternary disinfectants to disinfect the unit. Use of alcohol containing disinfectants can damage the faceplate.

STEP 2: Wring excess solution from the cloth.

STEP 3: Using a soft cloth, wipe all external surfaces.

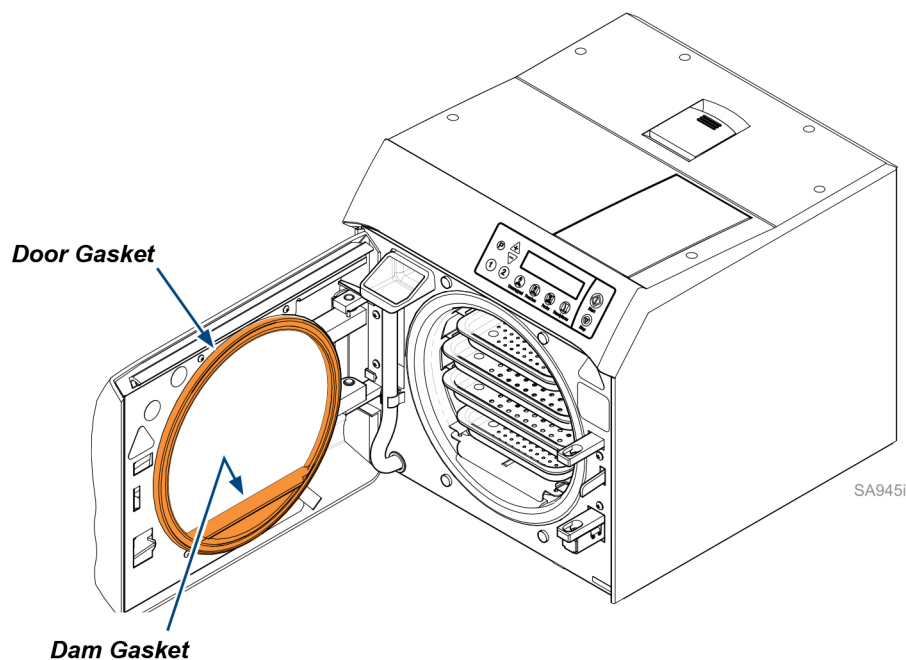
STEP 4: Follow the instructions provided with the cleaner/disinfectant regarding rinsing and drying of the external surfaces.

Clean Sterilizer Door and Dam Gaskets

Caution: Allow unit to cool before cleaning gaskets and mating surfaces.

STEP 1: Examine gaskets for possible damage.

STEP 2: Clean gaskets and mating surfaces with a damp cloth.



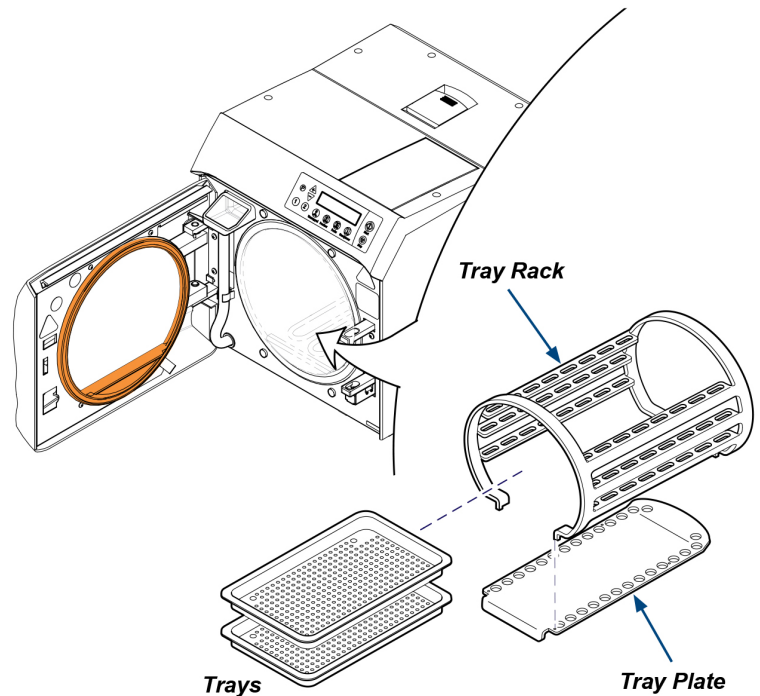
M9/M11 STERILIZERS - AFTER WEEKLY USE

Clean Chamber, Trays, Racks and Plates

Caution: Allow unit to cool before cleaning.

STEP 1: Disconnect the upper portion of the reservoir drain tube from the panel clips, bend it downward and drain the reservoir water into a suitable container. Dispose of the water.

STEP 1: Remove the trays, tray rack and tray plate from the sterilizer.



TO REMOVE TRAY RACK AND TRAY PLATE

- A. Remove trays.
- B. Using a screwdriver, pry plate up while pulling tray rack/plate out of the chamber.

STEP 3: Wash trays, rack, plate and the inside of the chamber with mild soap or Speed-Clean and distilled water or water that meets the sterilizer water purity specifications found in the User Guide.

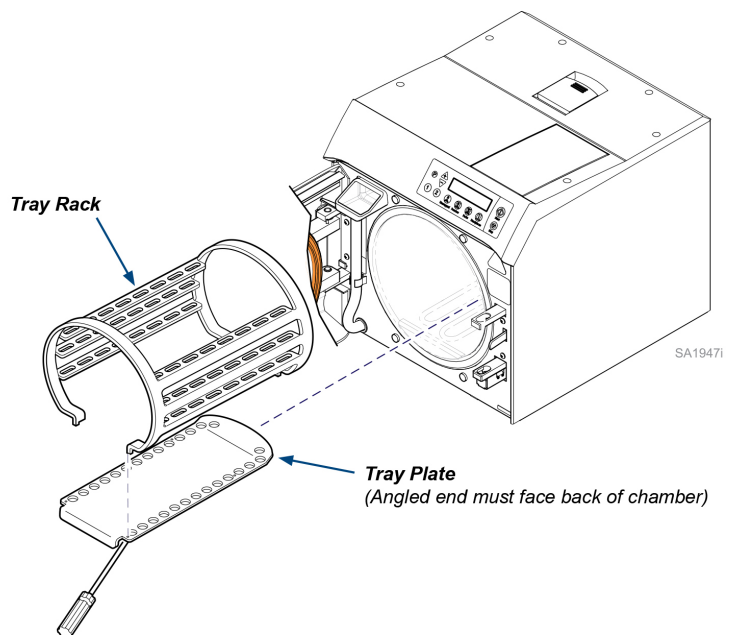
STEP 4: Let all items dry completely before replacing them into the sterilizer.

Caution: Allow unit to cool before removing or installing tray rack and plate. Handle metal tray rack carefully to avoid injury.

Caution: Do not run sterilizer without tray plate in place.

TO REINSTALL TRAY PLATE AND TRAY RACKS

- A. Insert the tray plate with the angled end of the plate toward the back of the chamber. Do not allow the plate to contact the water level sensor.
- B. Place tray rack into the chamber.
- C. Press down on tray rack when properly positioned to seat it onto the plate.
- D. Slide trays into rack.
- E. If the sterilizer is going to be used immediately, refill the reservoir with distilled water or water that meets the referenced water purity specifications.
- F. If the sterilizer is not going to be used within 2 days of cleaning, do not refill the reservoir.



M3 SERIES - AFTER DAILY USE

Caution: Allow unit to cool before cleaning gaskets and mating surfaces.

Clean External Surfaces

- A. Wash unit according to your facility's procedure for clinical contact surfaces. Use only quaternary disinfectants to disinfect unit. Use of alcohol containing disinfectants can damage the sterilizer faceplate.
- B. Wring excess solution from cloth.
- C. Using a soft cloth, wipe all external surfaces.
- D. Follow the instructions provided with the cleaner / disinfectant used regarding rinsing and drying of external surfaces.

Clean Sterilizer Door Gasket and Mating Surfaces

- A. Wash with a damp cloth.
- B. Inspect gasket for damage.
- C. Replace gasket if necessary

Clean Chamber Filter

Check that the chamber filter is free of debris and properly positioned in the hole at the back of the sterilizer chamber. If the filter is blocked by debris follow the procedures under "Monthly Maintenance" in the User Manual to remove and clean the filter.

If the sterilizer unit is going to not be used for more than 2 days, please follow these recommendations:

DRAIN / REFILL RESERVOIR

- A. Remove drain hose from storage location.
- B. Place open-end of drain hose into container or sink.
- C. Connect adapter-end of drain hose to coupling as shown.
- D. Once water has drained, press release lever and remove hose.
- E. Return drain hose to storage location.

EMPTY / CLEAN EXTERNAL CONDENSING TANK

- A. Empty water from tank. (Do not reuse water!)
- B. Clean tank with diluted bleach solution (1/4 cup bleach: 1 gallon water) and a brush.
- C. Rinse tank thoroughly.

