



DEPARTMENT OF HEALTH CARE ACCESS AND INFORMATION
FACILITIES DEVELOPMENT DIVISION

APPLICATION FOR HCAI PREAPPROVAL OF
MANUFACTURER'S CERTIFICATION (OPM)

OFFICE USE ONLY

APPLICATION #: OPM-0692

HCAI Preapproval of Manufacturer's Certification (OPM)

Type: New Renewal/Update

Manufacturer Information

Manufacturer: Midmark

Manufacturer's Technical Representative: Scott Strait

Mailing Address: 60 Vista Drive, Versailles, OH 45380

Telephone: (800) 643-6275

Email: sstrait@midmark.com

Product Information

Product Name: Midmark Wall-mounted Base Cabinet OPM-0692

Product Type: Cabinet

Product Model Number: Units 027-10139-00 through 027-10139-11

General Description: Wall-mounted cabinet

Applicant Information

Applicant Company Name: Midmark

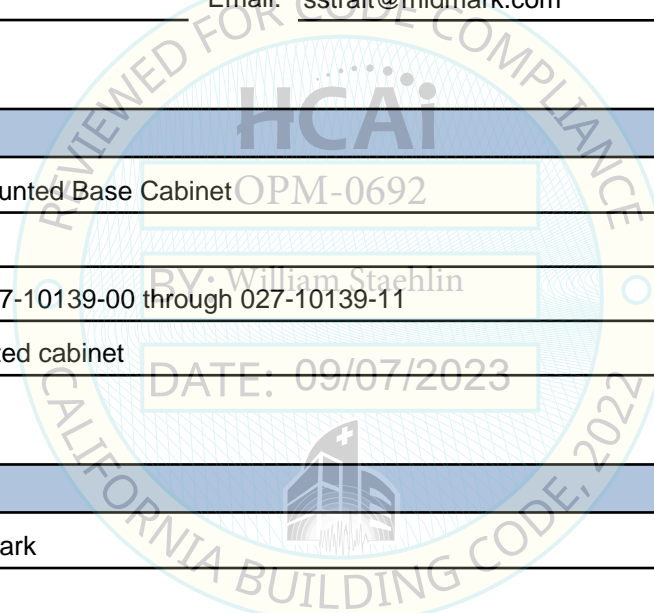
Contact Person: Scott Strait

Mailing Address: 60 Vista Drive, Versailles, OH 45380

Telephone: (800) 643-6275

Email: sstrait@midmark.com

Title: Lead Engineer



"A healthier California where all receive equitable, affordable, and quality health care"

STATE OF CALIFORNIA – HEALTH AND HUMAN SERVICES AGENCY





DEPARTMENT OF HEALTH CARE ACCESS AND INFORMATION
FACILITIES DEVELOPMENT DIVISION

Registered Design Professional Preparing Engineering Recommendations

Company Name: ZFA STRUCTURAL ENGINEERS
Name: Ryan Bogart California License Number: S6104
Mailing Address: 601 Montgomery Street Suite 1450, San Francisco, CA 94111
Telephone: (415) 269-0660 Email: ryanb@zfa.com

HCAI Special Seismic Certification Preapproval (OSP)

Special Seismic Certification is preapproved under OSP OSP Number:

Certification Method

Testing in accordance with: ICC-ES AC156 FM 1950-16
Other(s) (Please Specify):

*Use of criteria other than those adopted by the California Building Standards Code, 2022 (CBSC 2022) for component supports and attachments are not permitted. For distribution system, interior partition wall, and suspended ceiling seismic bracings, test criteria other than those adopted in the CBSC 2022 may be used when approved by HCAI prior to testing.

- Analysis
Experience Data
Combination of Testing, Analysis, and/or Experience Data (Please Specify):

HCAI Approval

Date: 9/7/2023
Name: William Staehlin Title: Senior Structural Engineer
Condition of Approval (if applicable):

"A healthier California where all receive equitable, affordable, and quality health care"

STATE OF CALIFORNIA - HEALTH AND HUMAN SERVICES AGENCY



MIDMARK CABINET

CABINET UNITS 027-10139-00 - 027-10139-11



EQUIPMENT MANUFACTURER: MIDMARK CORPORATION
EQUIPMENT TYPE: WALL MOUNTED BASE CABINETS

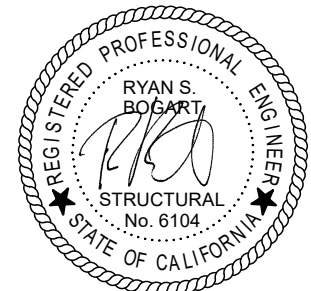
GENERAL NOTES

1. THIS HCAI PREAPPROVAL OF MANUFACTURER'S CERTIFICATION (OPM) IS BASED ON THE CBC 2022. THE DEMAND (DESIGN FORCES) FOR USE WITH THIS OPM SHALL BE BASED ON THE CBC 2022.
 2. FORCES PER ASCE 7-16 SECTION 13.3.1, EQUATIONS 13.3-1, 13.3-2, 13.3-3, WHERE $S_{DS} = 2.50$, $a_p = 1.0$, $I_p = 1.5$ & $R_p = 2.5$, $z/h \leq 1.0$. A FACTOR OF 0.7 IS APPLIED TO CALCULATE ASD LOADS.
HORIZONTAL FORCE (E_h) = $1.8W_p$
VERTICAL FORCE (E_v) = $0.5W_p$
 3. THE DETAILS IN THIS PRE-APPROVAL MAY BE USED AT ANY LOCATION WITH AN S_{DS} OF 2.5g OR LESS.
 4. ALL SEISMIC AND ANCHOR FORCES SHOWN IN THIS OPM ARE BASED ON ALLOWABLE STRESS DESIGN.
 5. SHEET METAL SCREWS (SMS) SHALL CONFORM TO ICC-ES ESR-1976 OR ICC-ES ESR-2196.
 6. THE PRE-APPROVAL COVERS ONLY THE SUPPORTS AND ATTACHEMENTS OF THE UNITS TO THE STRUCTURE.
 7. DESIGN WEIGHT INCLUDES SELF-WEIGHT OF CABINET PLUS LIVE LOAD OF 33 POUNDS PER CUBIC FEET PER 2022 CBC TABLE 1607.1 FOOTNOTE d.
1. RESPONSIBILITIES OF THE STRUCTURAL ENGINEER OF RECORD (SEOR)
DESIGN BACKING PLATES, STUDS, ETC. WHICH THE UNITS ARE ATTACHED TO AS NOTED ON THE DRAWINGS. THE SEOR SHALL ALSO VERIFY THE ADEQUACY OF THE STRUCTURES (SUCH AS WALLS AND FLOORS) WHICH SUPPORT THE UNITS FOR ALL LOADS.
 2. PROVIDE ANY SUPPORTING STRUCTURE REQUIRED TO SUPPORT WEIGHTS AND FORCES SHOWN, IN ADDITION TO ALL OTHER LOADS.
 3. VERIFY THAT THE INSTALLATION IS IN CONFORMANCE WITH THE 2022 CBC AND WITH THE DETAILS SHOWN IN THIS DOCUMENT. VERIFY THAT THE ACTUAL EQUIPMENT'S WEIGHT, CG LOCATION, ANCHOR LOCATIONS, ANCHOR DETAILS AND THE MATERIAL AND GAGE OF THE UNIT WHERE ATTACHMENTS ARE MADE AGREE WITH THE INFORMATION SHOWN ON THE PRE-APPROVAL DOCUMENTS.
 4. VERIFY THAT THE COMBINATION OF S_{DS} & z/h RESULT IN SEISMIC FORCES (E_h , E_v) THAT ARE NOT GREATER THAN THE VALUES IN THE GENERAL NOTES.
 5. VERIFY THAT THE ATTACHMENTS ARE LOCATED AT AN ADEQUATE DISTANCE FROM ANY END OR EDGE OF METAL STUD.

STAMP:

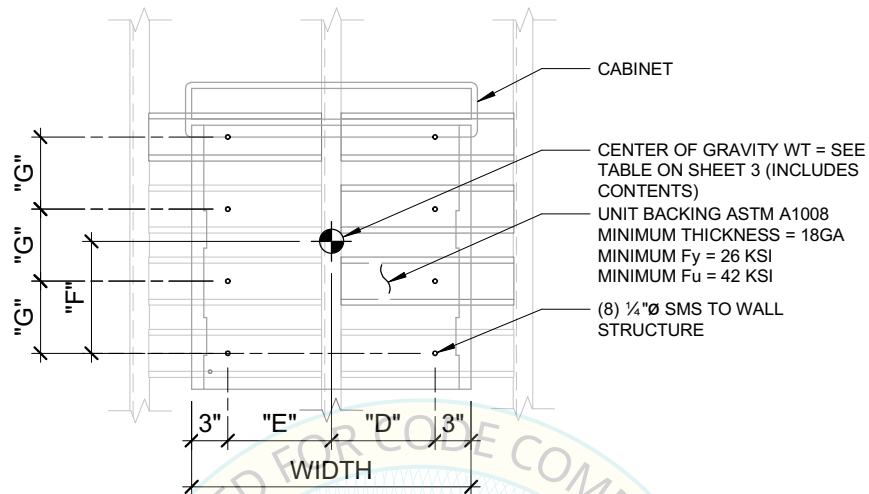
SHEET NAME: GENERAL NOTES	OPM-0692
	DATE: 06/20/23
	JOB NO.: 23042
	SHEET NO.: 1/3

ZFA STRUCTURAL ENGINEERS
601 montgomery street | suite 1450 | san francisco ca 94111 | 415.243.4091 | zfa.com

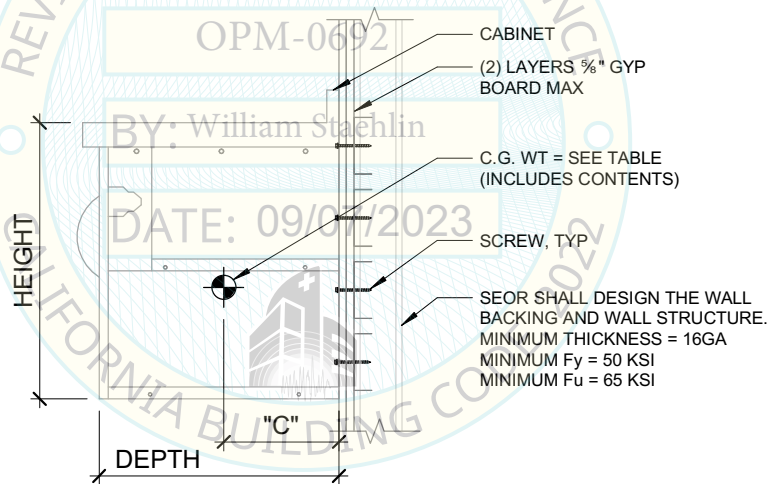


MIDMARK CABINET

CABINET UNITS 027-10139-00 - 027-10139-11



BACK VIEW ELEVATION



SIDE VIEW ELEVATION

NOTES:

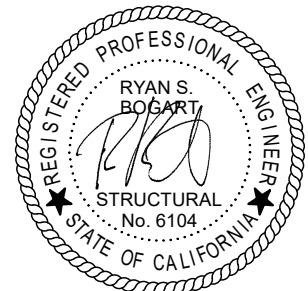
1. SEE SHEET 1 FOR GENERAL NOTES.
2. FOR UNIT GEOMETRY, WEIGHT, AND ANCHORAGE/ATTACHMENT FORCES, SEE SHEET 3. CENTER OF GRAVITY (CG) WEIGHT IS A MAXIMUM.
3. MINIMUM SCREW SPACING = 3/4"; MINIMUM EDGE DISTANCE FOR SCREWS = 3/8"

SHEET NAME:
DETAILS

ZFA STRUCTURAL ENGINEERS
601 montgomery street | suite 1450 | san francisco ca 94111 | 415.243.4091 | zfa.com

OPM-0692
DATE: 06/20/23
JOB NO.: 23042
SHEET NO.: 2/3

STAMP:

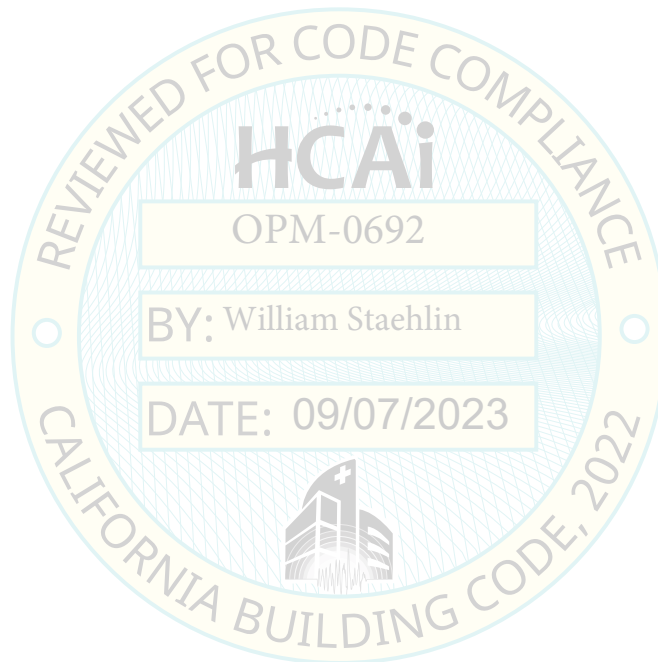


MIDMARK CABINET

CABINET UNITS 027-10139-00 - 027-10139-11



PART NUMBER	WIDTH (in)	HEIGHT (in)	WEIGHT (LBS)	"A" (in)	"B" (in)	"C" (in)	"D" (in)	"E" (in)	"F" (in)	"G" (in)	MAXIMUM TENSION (lbs/screw)	MAXIMUM SHEAR (lbs/screw)
027-10139-00	12	20.28	97	5.79	9.69	8.69	2.79	3.21	6.69	4.00	93	25
027-10139-01	15	20.28	116	7.27	9.65	8.60	4.27	4.73	6.65	4.00	92	29
027-10139-02	18	20.28	135	8.76	9.63	8.53	5.76	6.24	6.63	4.00	96	33
027-10139-03	21	20.28	154	10.25	9.61	8.48	7.25	7.76	6.61	4.00	103	38
027-10139-04	24	20.28	178	12.00	9.57	8.64	9.00	9.00	6.57	4.00	119	42
027-10139-05	30	20.28	216	15.00	9.55	8.55	12.00	12.00	6.55	4.00	140	51
027-10139-06	12	25.99	122	5.83	12.47	8.67	2.83	3.17	9.47	6.00	98	30
027-10139-07	15	25.99	146	7.32	12.43	8.60	4.32	4.68	9.43	6.00	94	35
027-10139-08	18	25.99	171	8.81	12.40	8.54	5.81	6.19	9.40	6.00	96	41
027-10139-09	21	25.99	195	10.30	12.37	8.50	7.30	7.70	9.37	6.00	101	47
027-10139-10	24	25.99	224	12.00	12.33	8.62	9.00	9.00	9.33	6.00	113	53
027-10139-11	30	25.99	272	15.00	12.31	8.55	12.00	12.00	9.31	6.00	133	64



SHEET NAME:

SCHEDULE

ZFA STRUCTURAL ENGINEERS

601 montgomery street | suite 1450 | san francisco ca 94111 | 415.243.4091 | zfa.com

OPM-0692

DATE: 06/20/23

JOB NO.: 23042

SHEET NO.: 3/3

STAMP:

