

## 9A81001 ARTICULATING ARMBOARD

### KIT COMPONENTS

Part Number	Description	Qty.
9A81001	Articulating Armboard.....	1
or		
003-0373-00	Installation / Operation Instructions	1

### REQUIRED TOOLS

3 mm Allen (Hex) Wrench

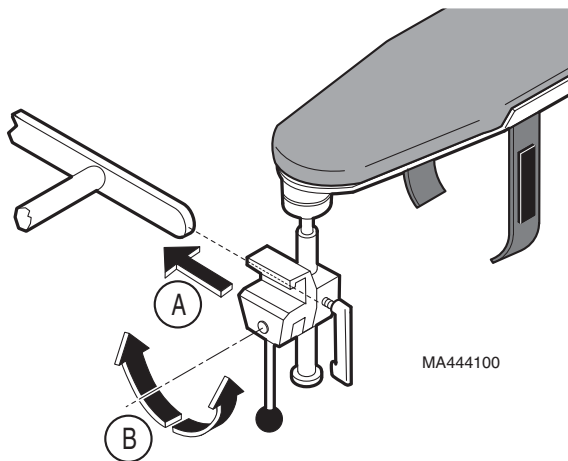
### INTRODUCTION



To hold an arm in a secure position. The 9A81001 Armboard is used on medical exam tables.

**Mount Armboard on siderail bar of exam table or stretcher. Use caution when positioning Armboard and/or table. Do not use with any other accessories on same side of table. When used with siderail in *down* position assure patient is restrained to prevent accidentally falling from unit during procedures. Always support Armboard assembly when changing positions on it. Assure all positions are solidly locked to prevent sudden movement during procedure.**

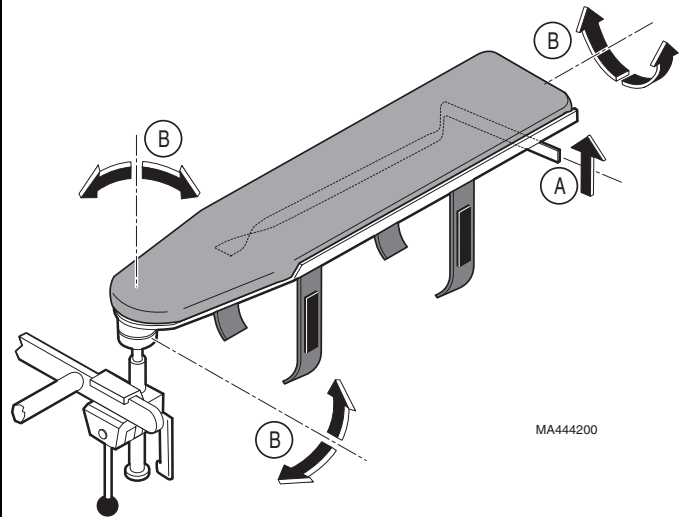
### INSTALLATION



MA444100

- A. Slide swivel block onto side rail to desired position.
- B. Rotate lock handle to one side to lock swivel block onto side rail.

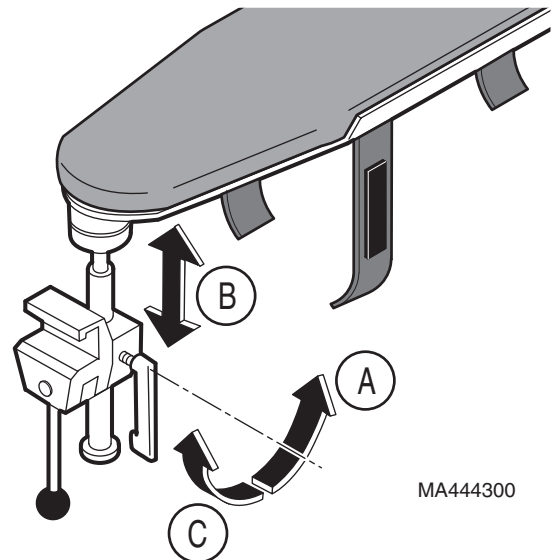
### OPERATION (ARTICULATION)



MA444200

- A. Supporting Armboard, pull up on handle.
- B. Rotate Armboard to desired position, release handle.

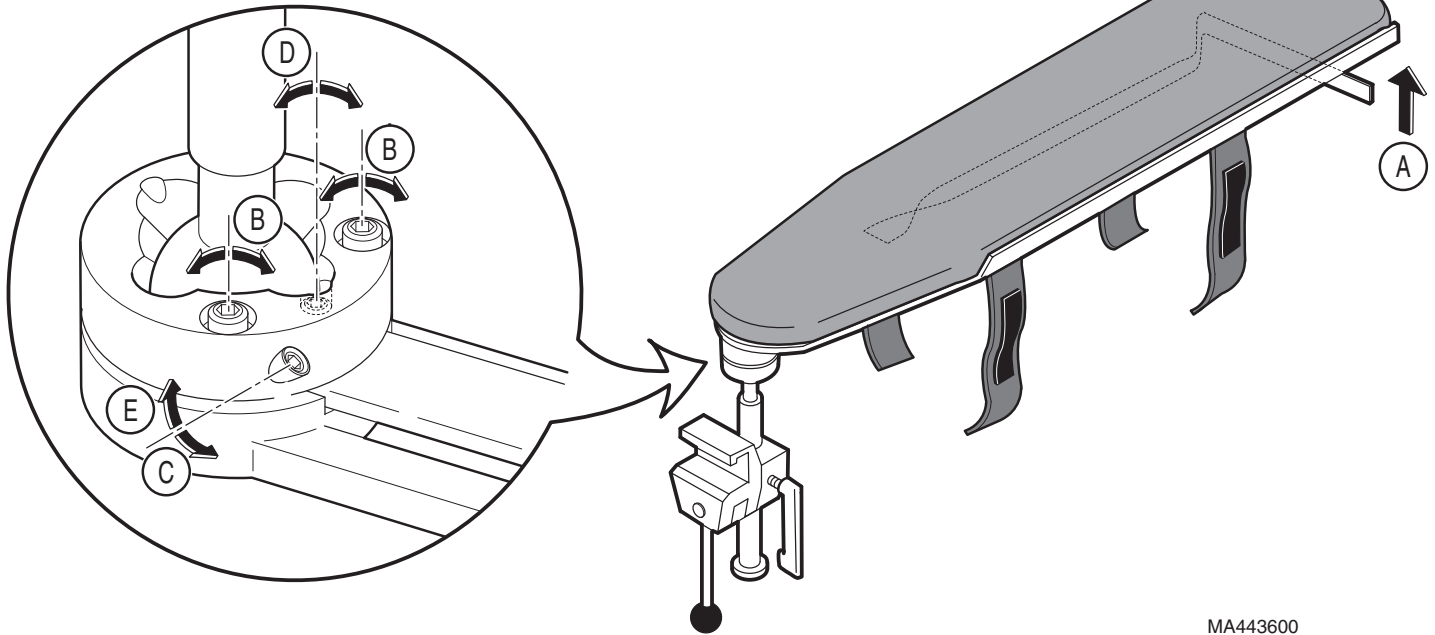
### OPERATION (HEIGHT ADJUSTMENT)



MA444300

- A. Supporting Armboard, loosen clamp handle.
- B. Raise or lower Armboard to desired position.
- C. Tighten clamp handle.

## ADJUSTMENT (LOCKING SYSTEM)



MA443600



### EQUIPMENT ALERT

It may be necessary to adjust locking system periodically. Use a 3mm Allen wrench.

- A. Check handle for 1/8" (3.2 mm) to 3/16" (4.8 mm) free movement (distance handle moves without releasing).

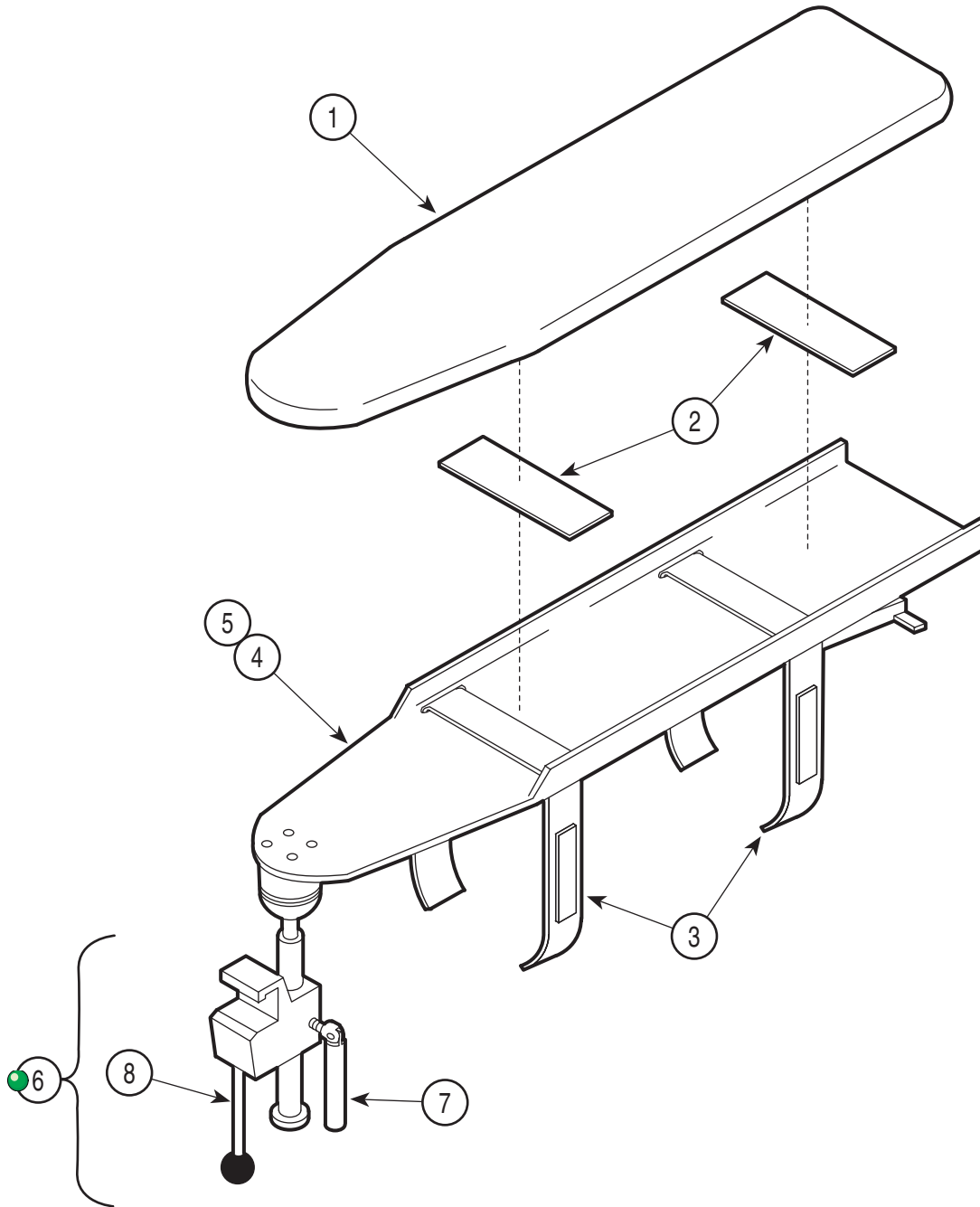
### NOTE

If handle free movement is not within above dimensions continue with following steps.

#### To tighten or loosen armboard movement:

- B. Turn both screws 1/8 to 1/4 turn clockwise to tighten or counterclockwise to loosen movement.
- C. Loosen locking screw.
- D. Turn adjustment screw clockwise or counterclockwise until free movement of handle is within tolerance.
- E. Tighten locking screw.

# Articulating Armboard



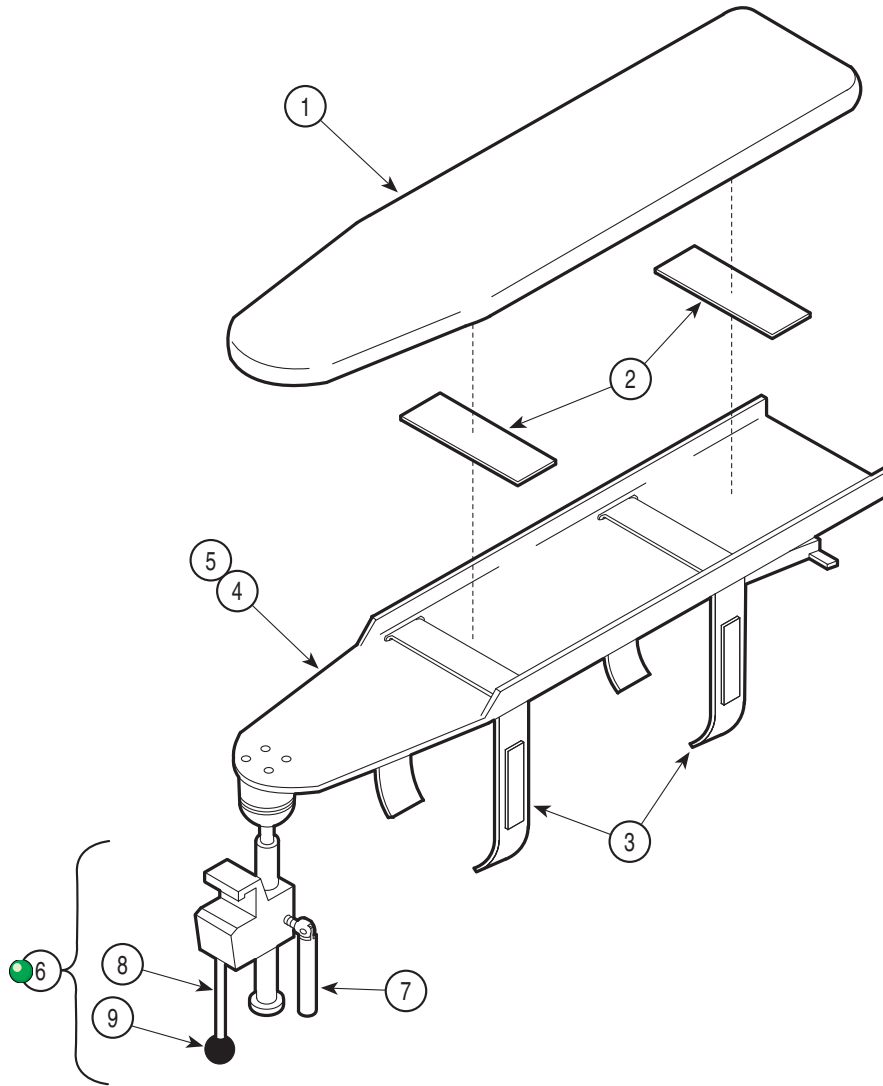
MA223002

## Used on units w/ Serial Numbers: ATO1000 thru ATO11805

Item	Part No.	Description	Qty.	Item	Part No.	Description	Qty.
	9A81001	Articulating Armboard Assembly (Includes Items 1 thru 4) .....	1	5	••029-1527-00	•• Armboard Mechanism .....	1
1	•028-0170-00	• Upholstered Armboard (Used on 9A81001 Only) .....	1	6	••029-1265-00	•• Clamp Assembly (incl. items 7 & 8) .	1
2	•053-0131-13	• Velcro .....	2	7	••016-0575-00	••• Clamp Handle .....	1
3	•029-0526-00	• Arm Restraint Strap .....	2	8	•••002-0483-00	••• Handle (includes knob) .....	1
4	•029-0522-00	• Armboard w/Clamp Assy (incl. items 5 & 6) .....	1				

Always Specify Model & Serial Number

# Articulating Armboard



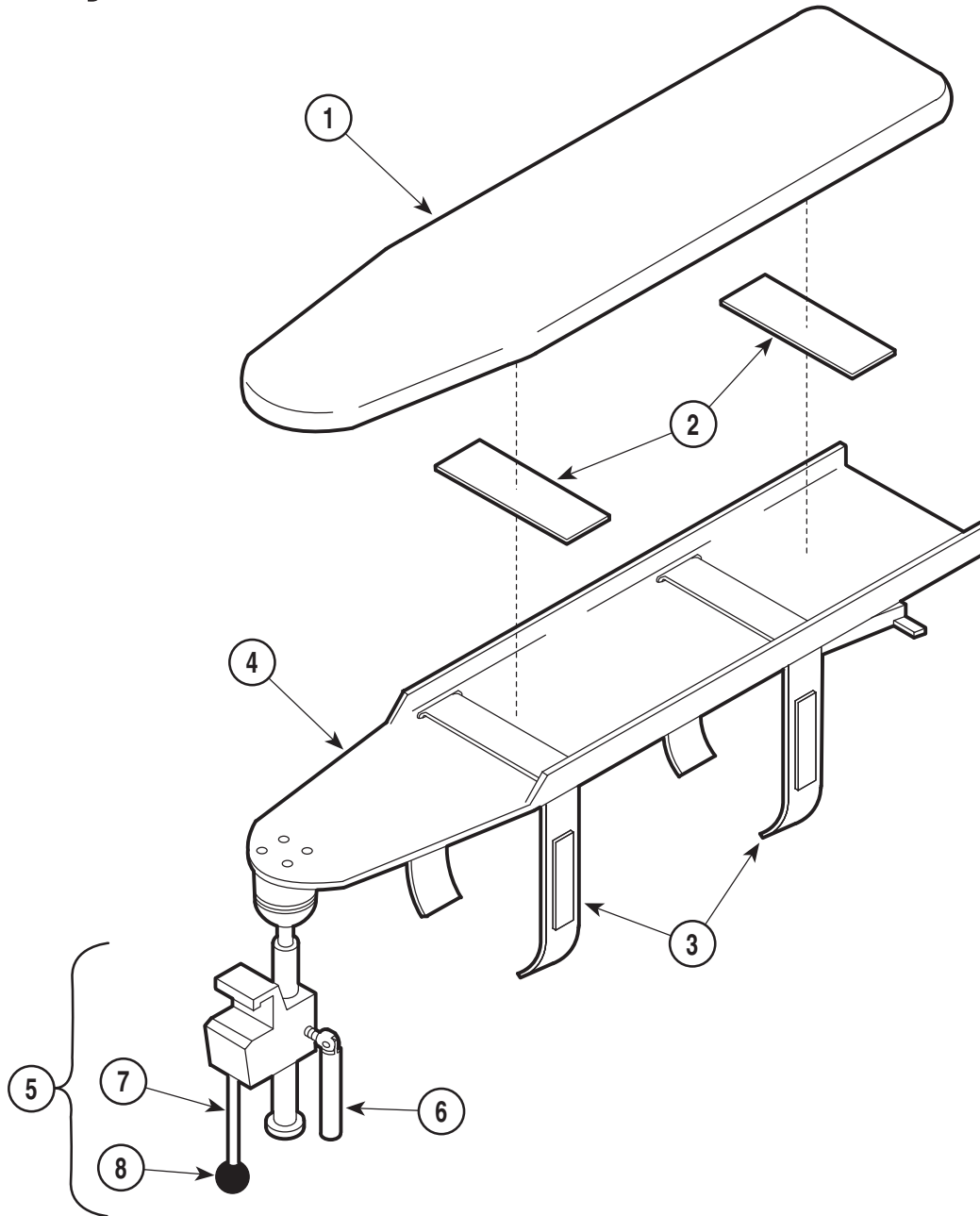
MA223003

## Used on units w/ Serial Numbers: ATO11806 thru Present

Item	Part No.	Description	Qty.	Item	Part No.	Description	Qty.
	9A81001-***	Articulating Armboard Assembly (Includes Items 1 thru 4) .....	1	6	•• 029-1265-00	•• Clamp Assembly (incl. items 7 & 8) ..	1
1	• 028-0170-XXX	• Upholstered Armboard (Used on 9A81001 Only) .....	1	7	••• 002-0482-00	••• Clamp Handle .....	1
2	• 053-0131-13	• Velcro .....	2	8	••• 016-0576-00	••• Shaft Handle .....	1
3	• 029-0526-00	• Arm Restraint Strap .....	2	9	••• 016-0577-00	••• Ball Knob .....	1
4	• 029-0522-00	• Armboard w/Clamp Assy (incl. items 5 & 6) .....	1				
5	•• 029-1527-00	•• Armboard Mechanism .....	1				

Always Specify Model & Serial Number

# Articulating Armboard Assembly



MA223002

Item	Part No.	Description	Qty.	Item	Part No.	Description	Qty.
	9A176001	Articulating Armboard Assembly (Closed Cell Const. [Includes Items 1 thru 4])	1	2	• 053-0131-28	• Velcro	2
	9A176002	Articulating Armboard Assembly (Upholstered Const. [Includes Items 1 thru 4])	1	3	• 029-0526-00	• Arm Restraint Belt /Strap	2
1	• 028-0316-01	• Closed Cell Construction Armboard Cushion (Black)	1	4	• 029-1533-00	• Armboard Assembly (Includes Item 5)	1
	• 028-0316-02	• Closed Cell Construction Armboard (Pearl Grey)	1	5	•• 029-1701-00	•• Clamp Assembly (Includes Items 6 thru 8)	1
	• 028-0316-03	• (No Longer Available) (Blue)	1	6	••• 016-0575-00	••• Clamp Handle	1
	• 028-0170-00	• Upholsteredn Construction Armboard (Specify Color)	1	7	••• 016-0576-00	••• Handle Shaft	1
				8	••• 016-0577-00	••• Knob	2
				9	• 003-0373-00	• Installation Instructions	1

Always Specify Model & Serial Number