

9A82001 SPECIAL PROCEDURES ARMBOARD

KIT COMPONENTS

Part Number	Description	Qty.
9A82001	Procedures Armboard	1
003-0374-00	Installation / Operation Instructions	1

REQUIRED TOOLS

None

INTRODUCTION

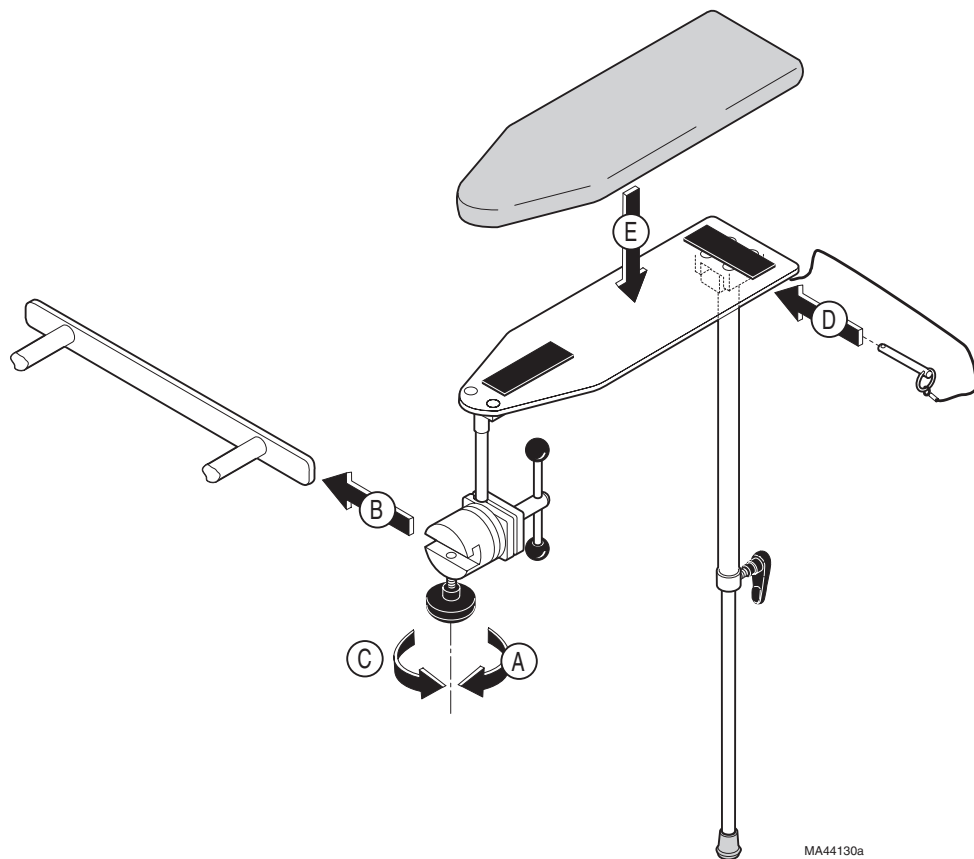
To provide positioning and restraint for arm during minor procedures on a hand.



WARNING

Mount 9A82001 on siderail bar of exam table. Do not operate table with this accessory installed. Do not use with any other accessories on same side of table. Always support Armboard assembly when changing its position. Assure all positions are solidly locked to prevent sudden movement during procedure.

INSTALLATION

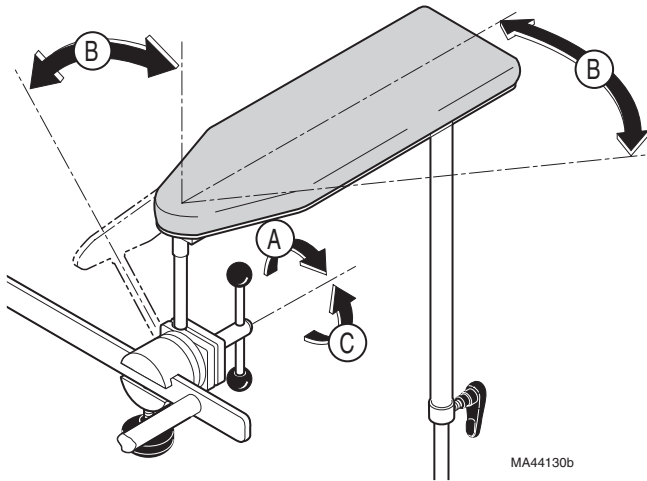


EQUIPMENT ALERT

Place table in desired position before mounting 9A82001 Special Procedures Armboard. To prevent damage to the table or armboard do not operate the table after the Armboard has been installed

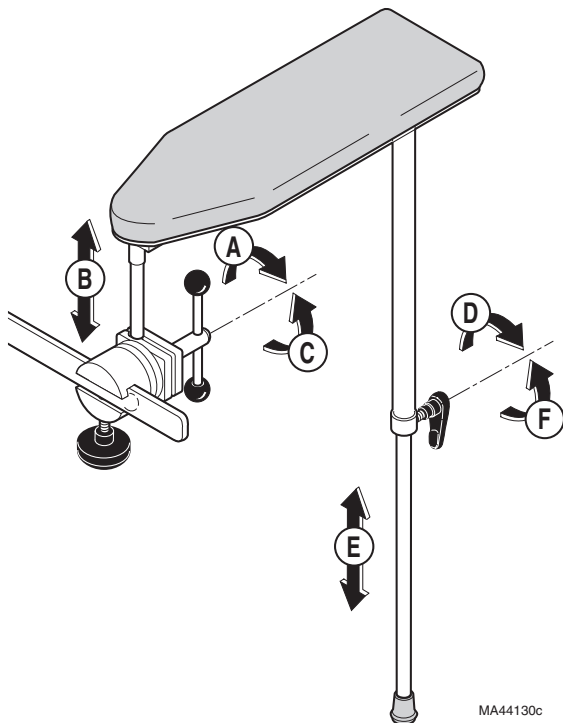
- A. Loosen knob.
- B. Slide swivel block onto side rail to desired position.
- C. Tighten knob.
- D. Position leg assembly in location on leg brace and insert pin assembly.
- E. Install cushion.

OPERATION (ROTATIONAL POSITIONING)



- A. Supporting Armboard, loosen T-handle
- B. Rotate Armboard to desired position.
- C. Tighten T-handle

OPERATION (HEIGHT ADJUSTMENT)



- A. Supporting Armboard, loosen T-handle.
- B. Raise or lower Armboard to desired position.
- C. Tighten T-handle.
- D. Loosen knob.
- E. Position lower leg in desired position.
- F. Tighten knob.

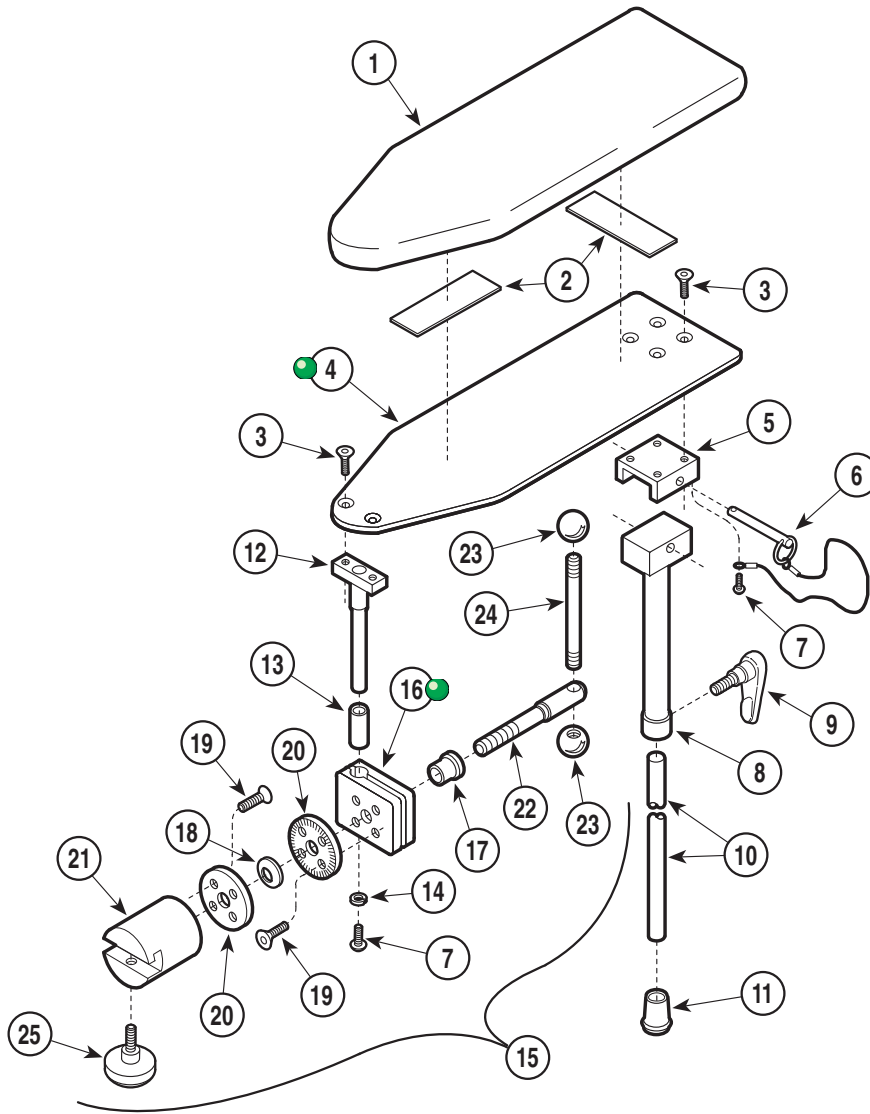
MIDMARK®

Midmark Corporation, Versailles, Ohio 45380 U.S.A.

003-0374-00 Rev. E

Special Procedures

Armboard Assembly



MA222301

Item	Part No.	Description	Qty.	Item	Part No.	Description	Qty.
	9A82001-***	Surgery Armboard Assembly (Includes Items 1 thru 15)	1	14	• 045-0001-02	• Washer	1
1	• 028-0169-XXX	• Upholstered Armboard	1	15	• 029-0613-00	• Clamp Assembly (Includes Items 16 thru 24)	1
2	• 053-0131-13	• Velcro	2	16	•• 051-0248-00	•• Clamp	1
3	• 040-0250-45	• Screw	6	17	•• 053-0114-00	•• Nylon Bearing	1
4	• 050-1301-00	• Armboard	1	18	•• 025-0021-00	•• Spring Washer	6
5	• 051-0483-00	• Leg Brace	1	19	•• 040-0008-27	•• Screw	8
6	• 016-0307-00	• Pin Assembly	1	20	•• 057-0084-00	•• Serrated Ring	2
7	• 040-0250-14	• Screw	2	21	•• 057-0180-00	•• Swivel Block	1
8	• 030-1055-00	• Upper Leg Weldment	1	22	•• 057-0187-00	•• Handle Mount	1
9	• 016-0126-00	• Knob	1	23	•• 016-0050-00	•• Knob	2
10	• 057-0438-00	• Lower Leg	1	24	•• 057-0112-00	•• Handle	1
11	• 053-0270-00	• Crutch Tip	1	25	•• 016-0175-00	•• Knob	1
12	• 030-0460-00	• Post Weldment	1	26	• 003-0374-00	• Installation Instructions	1
13	• 052-0071-00	• Armboard Spacer	1				

Always Specify Model & Serial Number