



[English](#)

[Español](#)

[Français](#)

Assembly Instructions

Stools: Models 425 and 427



MODEL 425



MODEL 427

(The above models are shown with optional items attached.)

Introduction

These assembly instructions are intended to assist you in assembling Midmark's Model #425 and #427 Stools. Please follow these instructions to assure proper assembly.

Unpacking



Equipment Alert

To avoid damage, do not use a knife or any other sharp object for opening cartons.

Assembly

Remove the stool from the carton. Depending on the optional items that you purchased, assemble the stool in the following order:

- Optional Lab Height Kit Assembly
- Optional Armrest Assembly
- Optional Backrest Assembly
- Seat Assembly

Optional Lab Height Kit Assembly

Place the base stool on its side. Remove the roller base from the gas cylinder by using a hammer to pound the roller base from the gas cylinder. To prevent marking, use a piece of cardboard or wood over the roller base before striking it. Strike as close to the gas cylinder as possible and rotate to a different leg with each blow. Insert extension tube thru the foot ring. Tighten the knob firmly to prevent the foot ring from rotating around the tube. Insert the gas cylinder into the extension tube (see Figure 1). Finally, insert the extension tube into the roller base.

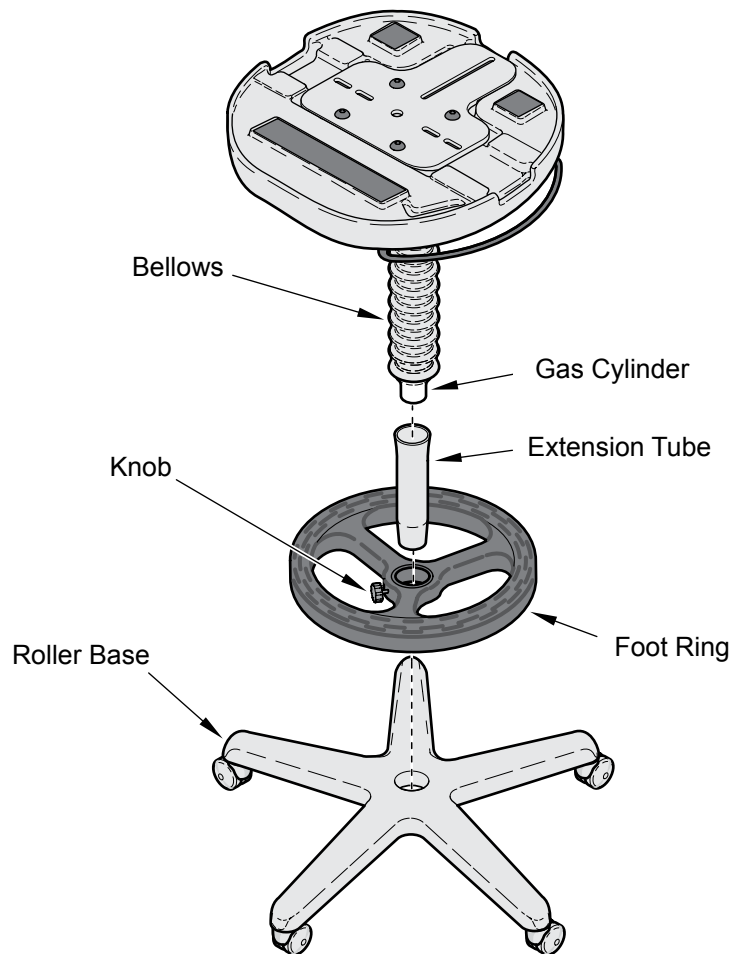


FIGURE 1

MA8374i

NOTE

If you have ordered a Lab Height Kit, please assemble the Lab Height Kit to the base stool first. We suggest that no armrests or backrests be mounted to the stool during the lab height assembly.

NOTE

The Lab Height Kit cannot be used on 427 Foot Release Models.

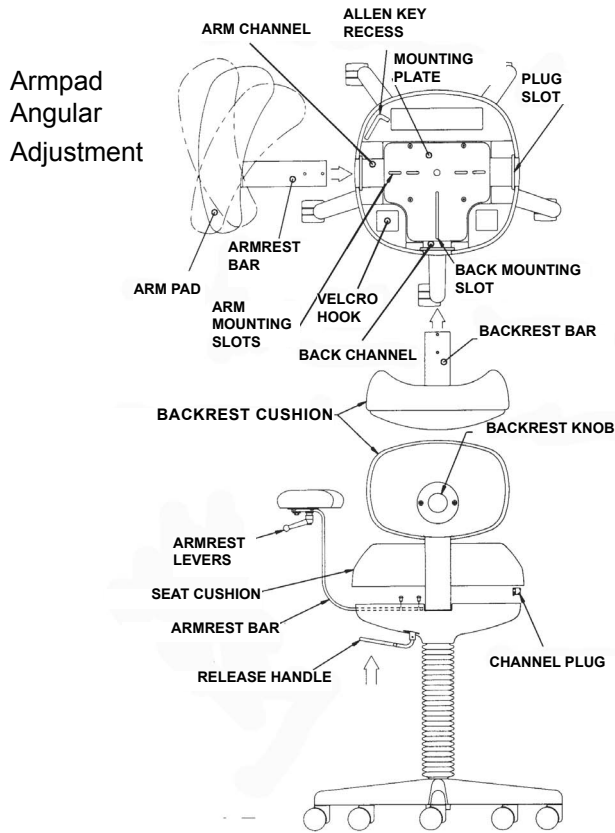


FIGURE 2
Optional Armrest Assembly



FIGURE 3
Insert the armrest bar into the arm channel and under the mounting plate (see Figure 2). Align the two tapped holes in the armrest bar with the two arm mounting slots in the mounting plate. Using the supplied 5/32 Allen Key, drive the two 1/4-20 x 3/8 screws through the mounting plate and into the armrest bar. Repeat the above procedure with the other armrest. After tightening the last screw, place the Allen Key into the Allen Key recess.

Optional Backrest Assembly



FIGURE 4
Insert the backrest bar into the back channel and under the mounting plate (see Figure 2). Align the tapped holes in the backrest bar with the back mounting slot in the mounting plate. Using the supplied 5/32 Allen Key, drive the two 1/4 - 20 x 3/8 screws through the mounting plate and into the backrest bar. Tighten the screws and place the Allen Key into the Allen Key recess.

Seat Assembly

Insert the three channel plugs into the plug slots--if

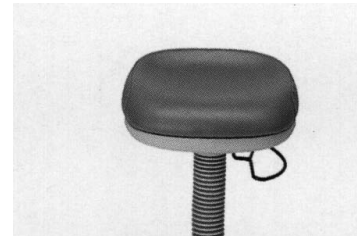


FIGURE 5
needed (see Figure 2). You'll find the channel plugs in the small parts bag.

Remove the seat cushion from its carton. Align the three velcro patches on the bottom of the seat cushion with the three velcro hook patches on the base stool. Then, place the seat cushion onto the base stool. If the cushion isn't centered on the base stool, pull the cushion up and try again.

Adjustments

Height Adjustment of Stool

Lower the 425 stool by grasping the release handle, (see Figure 2) and pull up. This will open the valve in the gas cylinder. The weight of the operator will compress the gas in the cylinder allowing the stool seat to lower. Once the desired height is reached, release the handle. The handle will snap back to its original position locking the cylinder's vertical position.

To raise the stool, grasp the handle and pull up. While holding the handle up, remove the operator's weight from the stool top. By removing the weight from the stool top, the compressed gas in the cylinder can exert enough thrust to force the seat up to the desired position. When the desired position is reached, release the handle.

In units with the foot release (Model 427), the valve in the gas cylinder is opened and closed by the action of the foot pedal instead of the release handle. The valve is opened by pressing down on the pedal and is closed by releasing the pedal.

Backrest Adjustment

The backrest has two adjustments: in-and-out and up-and-down. Adjust in or out by removing the cushion and loosening the two 1/4-20 x 3/8 screws with the supplied 5/32 Allen Key. Position the backrest by pushing or pulling the backrest bar at the base. Tighten the two 1/4-20 x 3/8 screws when the desired position is achieved.

Up-and-down adjustment is obtained by loosening the backrest knob (turning counterclockwise) and lifting or lowering the backrest cushion. When the desired position is reached, tighten the backrest knob (turning clockwise).

Armrest Adjustment

Each armrest has two adjustments: in-and-out and angular. In-and-out adjustment is obtained by removing the cushion and loosening the two 1/4-20 x 3/8 screws using the supplied Allen Key. Position the armrest by pushing or pulling the armrest bar at its base. When the desired position is reached, tighten the two 1/4-20 x 3/8 screws on each arm.

Angular adjustment of the arm pad can be obtained by turning the arm lever a half-turn in. Adjust the arm pad to the desired angular position and turn the arm lever a half-turn out to lock into place.

Cleaning

Upholstery

Wash your upholstery weekly with a mild liquid soap and water mixture, rinse with clear water and dry completely to remove disinfection cleaner build-up.

Disinfect your upholstery with a solution of standard bleach and water mixed 1 in 10 (10%) or chlorine based cleaners. Follow this with a clear water rinse and thorough drying of material. See current CDC Guideline for Disinfection & Sterilization in Healthcare Facilities.

To minimize damage caused by disinfectant cleaner residue build-up, do not allow disinfectants to pool on the upholstery surface. Once the approved contact time has been obtained, remove and dry excess liquid remaining on the surface.

Detailed care and maintenance instructions are included with your product. This information is also available on www.midmark.com in the Technical library under the User Information tab for your product.

Painted Metal / Plastic Surfaces

Clean the painted metal and plastic surfaces weekly using a clean soft cloth, and mild cleaner. Periodic applications of common furniture wax will ease cleaning, and maintain the finished luster of the surfaces.

Warranty Information

SCOPE OF WARRANTY Midmark Corporation ("Midmark") warrants to the original retail purchaser that it will, at Midmark's option, repair or replace components of the domestic and international medical products manufactured by Midmark (except for components not warranted under "Exclusions") that are defective in material or workmanship under normal use and service. The sole remedy under this limited warranty is the repair or replacement, at Midmark's option, of the applicable components. This limited warranty shall only apply to defects that are reported to Midmark within the applicable warranty period and which are determined to exist upon examination by Midmark. This warranty extends only to the original retail purchaser of a product and is not transferable or assignable. Replacement components or products may be used and/or refurbished components or products, provided they are of like quality and specifications as new components or products.

Midmark warrants to the original retail purchaser that during the applicable warranty period it will repair or replace software contained within the products manufactured by Midmark (except for those not warranted under "Exclusions") if: (1) the media on which the software is furnished exhibits defects in material or workmanship under normal use; or (2) the software does not substantially conform to its published specifications.

APPLICABLE WARRANTY PERIOD The applicable warranty period, measured from the date of invoice to the original retail purchaser of the product and shall be one (1) year for all warranted products and components.

OBTAINING WARRANTY SERVICE Warranty service must be obtained through either Midmark or an authorized dealer in the Midmark product line for which warranty service is requested. Midmark may be contacted for warranty service inquiries or issues via email at www.midmark.com; by phone at 1-800-MIDMARK or by mail to Midmark Corporation, 60 Vista Drive, Versailles, Ohio 45380. It is the retail purchaser's obligation to arrange for delivery of a product to Midmark or one of its authorized dealers for warranty service, which delivery shall be at retail purchaser's expense. It is also the retail purchaser's obligation to comply with the warranty service instructions provided either by Midmark or its authorized dealer. The retail purchaser must provide Midmark with completed warranty registration information within thirty (30) days after purchase in order to obtain the benefits of this limited warranty.

EXCLUSIONS: This limited warranty does not cover and Midmark shall not be liable for the following:

- (1) Defects, damage or other conditions caused, in whole or in part, by misuse, abuse, negligence, alteration, accident, freight damage, negligent storage, tampering or failure to seek and obtain repair or replacement in a timely manner;
- (2) Products which are not installed, used, and properly cleaned and maintained as required or recommended in the Midmark "Installation" and/or "Installation/Operation Manual" for the applicable product, including the specified structural and operational environmental conditions and electrical requirements;
- (3) Products considered to be of a consumable or sterile nature;
- (4) Accessories or parts not manufactured by Midmark;
- (5) Charges by anyone for adjustments, repairs, replacement parts, installation or other work performed upon or in connection with such products which are not expressly authorized in writing in advance by Midmark;
- (6) Costs and expenses of routine maintenance and cleaning; and
- (7) Representations and warranties made by any person or entity other than Midmark.
- (8) Matching of color, grain or texture except to commercially acceptable standards;
- (9) Changes in color caused by natural or artificial light;
- (10) Custom manufactured products;
- (11) Alterations or modifications to the product by any person or entity other than Midmark; and
- (12) Products that would otherwise be covered under this limited warranty, but are acquired: (i) from a person or entity that is not Midmark or one of its authorized dealers; or (ii) from a Midmark dealer that is not authorized to sell the product at issue in the geographic territory where the purchaser is located, or is not authorized to sell the product at issue within the medical market.

SOFTWARE; WITH RESPECT TO SOFTWARE THAT IS A PRODUCT OR COMPONENT THEREOF, MIDMARK DOES NOT WARRANT THAT THE SOFTWARE: (1) IS ERROR FREE; (2) CAN BE USED WITHOUT PROBLEMS OR INTERRUPTIONS; OR (3) IS FREE FROM VULNERABILITY TO INTRUSION OR ATTACK BY VIRUSES OR OTHER METHODS.

EXCLUSIVE REMEDY; CONSEQUENTIAL DAMAGES DISCLAIMER MIDMARK'S ONLY OBLIGATION UNDER THIS LIMITED WARRANTY IS THE REPAIR OR REPLACEMENT OF DEFECTIVE PARTS. MIDMARK SHALL NOT BE LIABLE FOR AND HEREBY DISCLAIMS ANY DIRECT, SPECIAL, INDIRECT, INCIDENTAL, EXEMPLARY OR CONSEQUENTIAL DAMAGES OR DELAYS, INCLUDING, BUT NOT LIMITED TO, DAMAGES FOR LOSS OF PROFITS OR INCOME, LOSS OF USE, LOSS OF DATA, DOWNTIME, COVER AND EMPLOYEE OR INDEPENDENT CONTRACTOR WAGES, PAYMENTS AND BENEFITS. THIS DISCLAIMER SHALL SURVIVE ANY FAILURE OR ASSERTED FAILURE OF THE ESSENTIAL PURPOSE OF THIS LIMITED WARRANTY OR ITS REMEDIES SPECIFIED HEREIN. WARRANTY DISCLAIMER THIS WARRANTY IS MIDMARK'S ONLY WARRANTY AND IS IN LIEU OF ALL OTHER WARRANTIES, EXPRESS OR IMPLIED. MIDMARK MAKES NO IMPLIED WARRANTIES OF ANY KIND INCLUDING ANY IMPLIED WARRANTIES OF MERCHANTABILITY OR FITNESS FOR A PARTICULAR PURPOSE. THIS WARRANTY IS LIMITED TO THE REPAIR OR REPLACEMENT OF DEFECTIVE PARTS.

STATUTE OF LIMITATIONS No action may be brought against Midmark for breach of this limited warranty, an implied warranty, if any, or for any other claim arising out of or relating to the products, more than ninety (90) days following expiration of the limited warranty period.

NO AUTHORIZATION No person or firm is authorized to create or approve for Midmark any other obligation or liability in connection with the products.

Midmark Corporation
60 Vista Drive
Versailles, OH 45380-0286
1-800-MIDMARK
Fax 877-249-1793

www.midmark.com



Because we care.



[English](#)

[Español](#)

[Français](#)

Instrucciones de montaje

Taburetes: Modelos 425 y 427



MODELO 425



MODELO 427

(En los modelos anteriores se muestran artículos opcionales.)

Introducción

El objetivo de estas instrucciones consiste en ayudarle a montar los taburetes modelos 425 y 427 de Midmark. Por favor, siga estas instrucciones para garantizar un montaje adecuado.

Desembalaje



Advertencia Sobre El Equipo

Para evitar daños, no utilice un cuchillo ni ningún otro objeto afilado para abrir el embalaje.

Montaje

Extraiga el taburete del embalaje. En función de los artículos opcionales que haya adquirido, monte el taburete siguiendo este orden:

- Estructura del kit opcional de altura para laboratorio
- Estructura del reposabrazos opcional
- Estructura de respaldo opcional
- Estructura del asiento

Montaje del kit opcional de altura para laboratorio

Coloque la base del taburete apoyada sobre un lado. Extraiga la base de ruedas del cilindro neumático con ayuda de un martillo. Para evitar que queden marcas, coloque un trozo de cartón o de madera sobre la base con ruedas antes de golpearla con el martillo. Golpee tan cerca del cilindro neumático como sea posible y cambie de pierna con cada golpe. Pase el tubo de extensión a través del aro del reposapiés. Apriete el pomo para evitar que el aro del reposapiés gire en torno al tubo. Introduzca el cilindro neumático en el tubo de extensión (véase la Figura 1). Finalmente, introduzca el tubo de extensión en la base con ruedas.

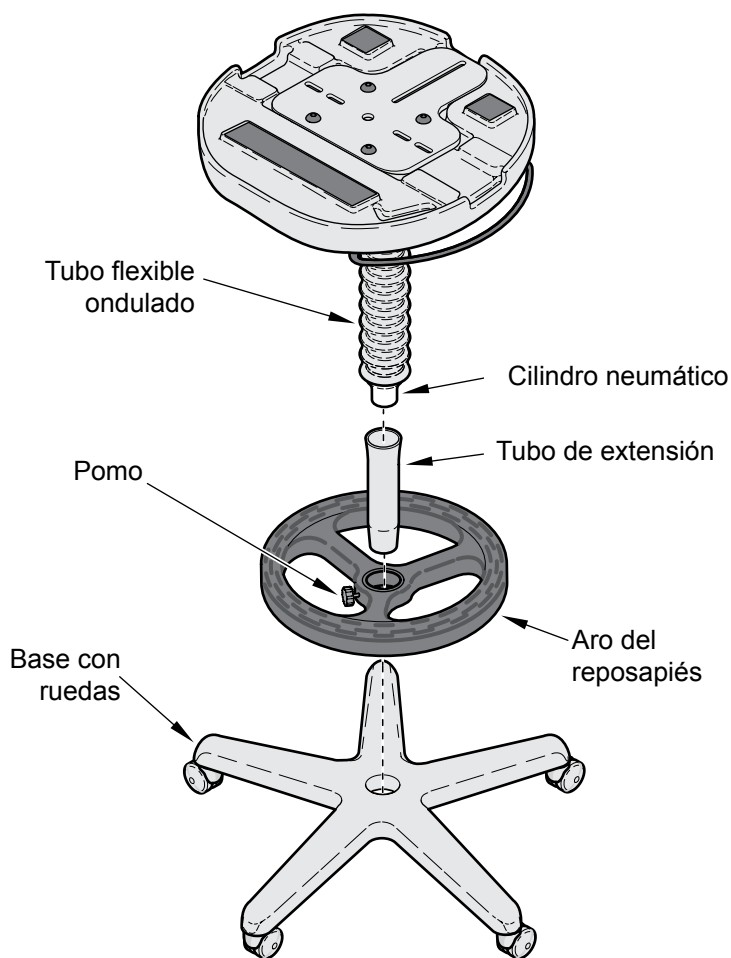


FIGURA 1

MA8374i

NOTA

Si ha pedido un kit para altura de laboratorio, acóplelo a la base del taburete en primer lugar. Sugerimos que no se instalen reposabrazos ni respaldos en el taburete mientras se monta el kit de altura para laboratorio.

NOTA

El kit de altura para laboratorio no puede utilizarse en los modelos 427 con regulación por pedal.

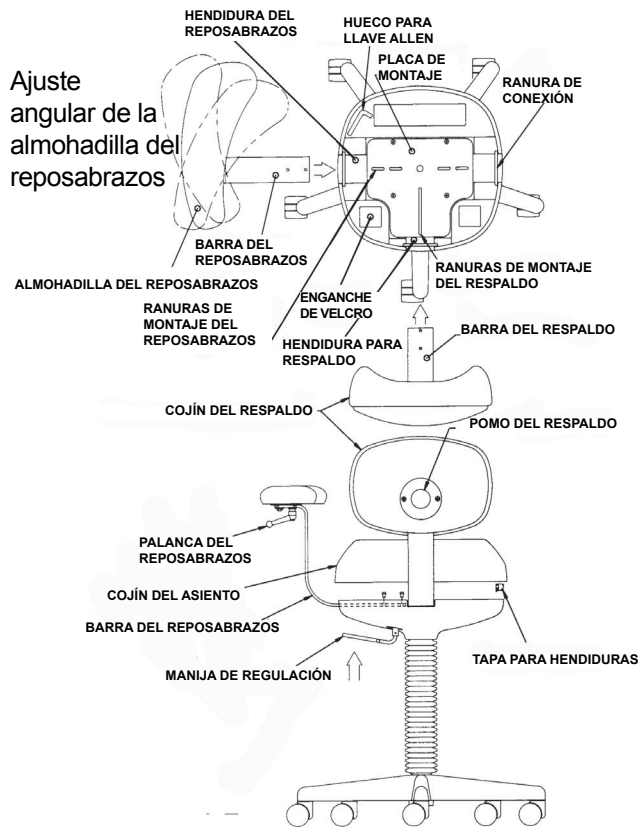


FIGURA 2
Estructura del reposabrazos opcional



FIGURA 3
Introduzca la barra del reposabrazos en la hendidura para el reposabrazos por la parte inferior de la placa de montaje (véase la Figura 2). Alinee los dos agujeros roscados de la barra del reposabrazos con las dos ranuras de la placa de montaje. Utilizando la llave Allen 5/32 proporcionada, apriete los dos tornillos 1/4 -20 x 3/8 a través de la placa de montaje para acoplar la barra del reposabrazos. Repita el procedimiento anterior con el otro reposabrazos. Tras apretar el último tornillo, coloque la llave Allen en el hueco para llaves Allen.

Estructura de respaldo opcional



FIGURA 4
Introduzca la barra del respaldo en la hendidura por la parte inferior de la placa de montaje (véase la Figura 2). Alinee los orificios roscados de la barra del respaldo con la ranura para el respaldo que se encuentra en la placa de montaje. Utilizando la llave Allen 5/32 proporcionada, apriete los dos tornillos 1/4 - 20 x 3/8 a través de la placa de montaje para acoplar la barra del respaldo. Apriete los tornillos y coloque la llave Allen en el hueco para llaves Allen.

Estructura del asiento

Introduzca las tres tapas para hendiduras en las ranuras

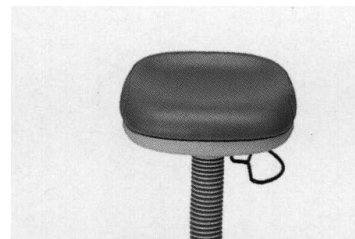


FIGURA 5
de conexión, de ser necesario (véase la Figura 2). Encontrará las tapas en la bolsa de piezas pequeñas.

Retire el cojín del asiento del embalaje. Acople los tres parches de velcro que encontrará en la parte inferior del cojín del asiento con los tres enganches de velcro de la base del taburete. A continuación, coloque el cojín del asiento en la base del taburete. Si el cojín no queda centrado en la base del taburete, tire del cojín y vuelva a intentarlo.

Ajustes

Ajuste de la altura del taburete

Baje el taburete 425 tirando de la manija de regulación (véase la Figura 2). Así, se abrirá la válvula del cilindro neumático. El peso del operador comprimirá el gas del cilindro y hará que baje el asiento del taburete. Una vez que alcance la altura deseada, suelte la manija. Esta volverá a su posición inicial, bloqueando la posición vertical del cilindro.

Para subir el taburete, tire de la manija. Mientras la sujeta, el operador debe levantar su peso del taburete. Al levantar el peso de la parte superior del taburete, el gas comprimido del cilindro puede ejercer suficiente fuerza para impulsar el asiento hacia arriba hasta la posición deseada. Una vez que alcance la posición deseada, suelte la manija.

En unidades con regulación por pedal (modelo 427), la válvula del cilindro neumático se abre y se cierra al mover el pedal en lugar de la manija de liberación. La válvula se abre presionando el pedal hacia abajo y se cierra al soltarlo.

Ajuste del respaldo

El respaldo tiene dos movimientos: hacia dentro-hacia fuera y arriba-abajo. Ajústelo hacia dentro o hacia fuera retirando el cojín y aflojando los dos tornillos 1/4-20 x 3/8 con la llave Allen 5/32 proporcionada. Coloque el respaldo empujando o tirando de la barra del respaldo desde la base. Apriete los dos tornillos 1/4-20 x 3/8 cuando se alcance la posición deseada.

El movimiento arriba-abajo se consigue aflojando el pomo del respaldo (girándolo en sentido antihorario) y subiendo o bajando el cojín del respaldo. Cuando alcance la posición deseada, apriete el pomo del respaldo (girándolo en sentido horario).

Ajuste de los reposabrazos

Cada reposabrazos tiene dos movimientos: hacia dentro-hacia fuera y angular. Ajústelo hacia dentro o hacia fuera retirando el cojín y aflojando los dos tornillos 1/4-20 x 3/8 con la llave Allen proporcionada. Coloque el reposabrazos empujando o tirando de la barra del respaldo desde la base. Cuando se alcance la posición deseada, apriete los dos tornillos 1/4-20 x 3/8 en cada brazo.

El ajuste angular de la almohadilla del reposabrazos puede realizarse girando la palanca del reposabrazos hacia dentro media vuelta. Ajuste la almohadilla del reposabrazos hasta la posición angular deseada y gire la palanca del reposabrazos media vuelta hacia fuera para bloquearla.

Limpieza

Tapicería

Lave la tapicería todas las semanas utilizando una mezcla con un jabón líquido suave y agua, enjuague con agua limpia y seque toda la superficie para eliminar la acumulación de residuos de desinfectante/limpiador.

Desinfecte la tapicería utilizando una solución de lejía común y agua 1:10 (10 %) o productos basados en cloro. A continuación, enjuague con agua limpia y seque a fondo el material. Véanse las Directrices vigentes de los Centros para el Control y la Prevención de Enfermedades para la desinfección y esterilización en centros sanitarios.

Para minimizar la acumulación de residuos de desinfectante/limpiador, no deje que los desinfectantes se acumulen en la superficie de la tapicería. Una vez transcurrido el tiempo de contacto aprobado, retire y seque el exceso de líquido que quede en la superficie.

Con el producto se incluyen instrucciones detalladas de conservación y mantenimiento. Esta información también está disponible en www.midmark.com en la biblioteca técnica situada en el apartado «Información del usuario» de su producto.

Superficies de metal o plástico pintadas

Limpie las superficies de metal o plástico pintadas pasando un paño suave y limpio con limpiadores suaves. Las aplicaciones periódicas de cera para muebles facilitarán la limpieza y el mantenimiento del lustre del acabado de las superficies.

Información sobre la garantía

COBERTURA DE LA GARANTÍA. Midmark Corporation («Midmark») garantiza al comprador minorista original que reparará o reemplazará, a discreción de Midmark, los componentes de los productos médicos nacionales e internacionales fabricados por Midmark (excepto los componentes no garantizados en «Exclusiones») que contengan materiales defectuosos o fallos de mano de obra en condiciones normales de uso y servicio. La responsabilidad única en virtud de esta garantía limitada es a la reparación o la sustitución, a discreción de Midmark, de los componentes aplicables. Esta garantía limitada solo se aplicará a los defectos que se notifiquen a Midmark dentro del período de garantía y cuya existencia se llega a determinar tras un examen efectuado por Midmark. Esta garantía se expide únicamente al comprador minorista original de un producto y no es transferible ni asignable. Se pueden utilizar componentes o productos de repuesto o reformados, siempre y cuando tengan la misma calidad y especificaciones que los componentes y productos nuevos.

Midmark garantiza al comprador minorista original que, durante el período de garantía, reparará o reemplazará el software contenido en los productos fabricados por Midmark (excepto los que no estén garantizados en «Exclusiones») si: (1) los formatos en los que se proporciona el software muestran materiales defectuosos o fallos de mano de obra en condiciones normales de uso y servicio; o (2) el software no se ajusta sustancialmente a las especificaciones publicadas.

PERÍODO DE LA GARANTÍA El período de validez de la garantía de todos los productos y componentes es de un (1) año a partir de la fecha de facturación al comprador minorista original del producto.

OBTENCIÓN DEL SERVICIO DE GARANTÍA El servicio de garantía debe obtenerse a través de un distribuidor de Midmark o un distribuidor autorizado por Midmark en la línea de productos para la que se solicita el servicio de garantía. Puede contactar con Midmark para consultarle dudas o problemas sobre el servicio de garantía por correo electrónico en www.midmark.com, por teléfono al +1-937-526-3662 o por correo postal a Midmark Corporation, 60 Vista Drive, Versailles, Ohio 45380. Es obligación del comprador minorista organizar la entrega de un producto a Midmark o a uno de sus distribuidores autorizados para el servicio de garantía, la cual correrá a cargo del comprador. También es obligación del comprador minorista cumplir las instrucciones de servicio de garantía proporcionadas, ya sea por Midmark o por su distribuidor autorizado. El comprador minorista debe suministrar a Midmark la información de registro de la garantía completada en un plazo de treinta (30) días después de la compra con el fin de obtener los beneficios de esta garantía limitada.

EXCLUSIONES: Esta garantía limitada no cubre (y Midmark no es responsable de) lo siguiente:

- (1) Defectos, daños u otras condiciones causadas, en su totalidad o en parte, por el mal uso, abuso, negligencia, alteración, accidente, daños durante el transporte, almacenamiento negligente, manipulación o incapacidad de solicitar y lograr la reparación o la sustitución dentro del plazo estipulado;
- (2) Productos que no se hayan instalado, utilizado o limpiado y mantenido adecuadamente tal y como se indica o se recomienda en la «Instalación» de Midmark y/o el «Manual de instalación/uso» del producto en cuestión, incluidas las condiciones de entorno estructural y operativo y los requisitos de alimentación eléctrica;
- (3) Productos considerados de naturaleza consumible o estéril;
- (4) Accesorios o piezas no fabricados por Midmark;
- (5) Facturas de terceros en concepto de ajustes, reparaciones, piezas de recambio, instalaciones o cualquier otra modificación del producto, o relacionada con el mismo, que se hayan realizado sin la autorización previa por escrito de Midmark;
- (6) Costes y gastos de mantenimiento y limpieza rutinarios; y
- (7) Declaraciones y garantías hechas por cualquier persona o entidad que no sea Midmark.
- (8) Coincidencia de color, grano o textura, a excepción de las normas comercialmente aceptables;
- (9) Cambios en el color causados por la luz natural o artificial;
- (10) Productos fabricados a medida;
- (11) Alteraciones o modificaciones del producto efectuadas por cualquier persona o entidad que no sea Midmark; y
- (12) Productos que estarían cubiertos por esta garantía limitada pero que se hayan adquirido: (i) a través de una persona o entidad distinta a Midmark o sus distribuidores autorizados; o (ii) a través de un distribuidor de Midmark que no tenga la autorización para vender el producto en cuestión en el territorio donde se encuentre el comprador, o que no tenga la autorización para vender el producto en el sector médico.

SOFTWARE: EN RELACIÓN CON EL SOFTWARE QUE CONSTITUYA UN PRODUCTO O COMPONENTE DEL MISMO, MIDMARK NO GARANTIZA QUE EL SOFTWARE: (1) ESTÉ LIBRE DE ERRORES; (2) SE PUEDA UTILIZAR SIN PROBLEMAS NI INTERRUPCIONES; O (3) NO SEA VULNERABLE A LA INTRUSIÓN O AL ATAQUE DE VIRUS U OTROS MÉTODOS.

RESPONSABILIDAD EXCLUSIVA; DAÑOS EMERGENTES; LA ÚNICA RESPONSABILIDAD DE MIDMARK EN VIRTUD DE LA PRESENTE GARANTÍA LIMITADA ES LA DE REPARAR O SUSTITUIR LAS PIEZAS DEFECTUOSAS. MIDMARK NO SE HACE RESPONSABLE DE, Y POR LA PRESENTE RENUNCIA A, CUALESQUIERA DAÑOS DIRECTOS, ESPECIALES, INDIRECTOS, ACCIDENTALES, EJEMPLARES O CONSECUENTES, O DEMORAS, INCLUIDOS, SIN LIMITACIÓN, DAÑOS POR PÉRDIDA DE GANANCIAS O INGRESOS, PÉRDIDA DE USO, PÉRDIDA DE DATOS, TIEMPO MUERTO, COBERTURA Y SALARIOS DE EMPLEADOS O DE CONTRATISTA INDEPENDIENTE, PAGOS Y BENEFICIOS. LA PRESENTE EXENCIÓN DE RESPONSABILIDAD SERÁ VÁLIDA AUN EN CASO DE INCUMPLIMIENTO O INCUMPLIMIENTO ALEGADO DEL OBJETIVO PRINCIPAL DE ESTA GARANTÍA LIMITADA O DE SUS RESPONSABILIDADES ESPECIFICADAS EN EL PRESENTE DOCUMENTO. EXENCIÓN DE RESPONSABILIDAD DE LA GARANTÍA ESTA ES LA GARANTÍA COMPLETA DE MIDMARK Y SUSTITUYE A CUALQUIER OTRA GARANTÍA, EXPLÍCITA O IMPLÍCITA. MIDMARK NO OFRECE GARANTÍAS IMPLÍCITAS DE NINGÚN TIPO, INCLUIDAS LAS IMPLÍCITAS DE COMERCIABILIDAD O IDONEIDAD PARA UN PROPOSITO DETERMINADO. ESTA GARANTÍA SE LIMITA A LA REPARACIÓN O SUSTITUCIÓN DE PIEZAS DEFECTUOSAS.

ESTATUTO DE LIMITACIONES No podrá interponerse ninguna acción contra Midmark por incumplimiento de esta garantía limitada, de una garantía implícita, si las hubiere, o por cualquier otra reclamación que surja de o en relación con los productos, después de transcurridos noventa (90) días después del vencimiento del período de garantía limitada.

AUTORIZACIÓN Midmark no autoriza a ninguna persona ni empresa a imponer ni aprobar ninguna otra obligación ni responsabilidad en relación con los productos.

Midmark Corporation
60 Vista Drive
Versailles, OH 45380-0286
1-800-MIDMARK
Fax 877-249-1793

www.midmark.com



Because we care.



[English](#)

[Español](#)

[Français](#)

Instructions de montage

Tabourets : Modèles 425 et 427



MODELE 425



MODELE 427

(Les modèles ci-dessus sont représentés avec leurs articles en option.)

Introduction

L'objectif des présentes instructions est de vous aider pour le montage des tabourets Midmark, modèles 425 et 427. Veuillez suivre ces instructions pour vous assurer que le montage est correct.

Déballage



Avertissement concernant l'équipement

N'utilisez pas de couteaux ou d'objets tranchants en ouvrant les cartons pour éviter tout dommage.

Montage

Retirez le tabouret du carton. Selon les articles en option que vous avez achetés, effectuez le montage du tabouret selon l'ordre suivant :

- kit de hauteur de laboratoire en option
- accoudoir en option
- dossier en option
- siège

Kit de hauteur de laboratoire en option

Placez le tabouret de base sur le côté. Retirez la base à roulettes du tube à gaz en utilisant un marteau. Pour éviter de l'abîmer, posez un morceau de carton ou de bois sur la base à roulettes avant de frapper. Frappez le plus près possible du tube à gaz et faites tourner une patte différente à chaque coup. Insérez le tube de rallonge dans la bague. Serrez le bouton fermement pour empêcher que la bague ne tourne autour du tube. Insérez le tube à gaz dans le tube de rallonge (voir figure 1). Enfin, insérez le tube de rallonge dans la base à roulettes.

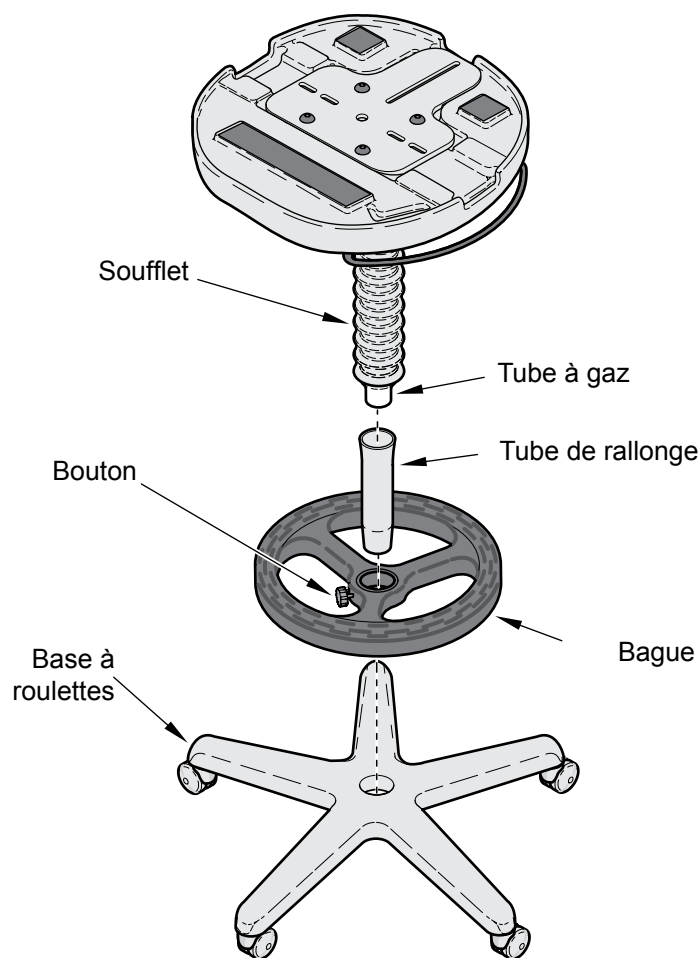


FIGURE 1

MA8374i

REMARQUE

Si vous avez commandé un kit de hauteur de laboratoire, veuillez d'abord le monter sur le tabouret de base. Nous suggérons de ne pas monter d'accoudoirs ou de dossiers au tabouret pendant le montage de hauteur de laboratoire.

REMARQUE

Le kit de hauteur de laboratoire ne peut être utilisé sur les modèles 427 dotés de pédales.

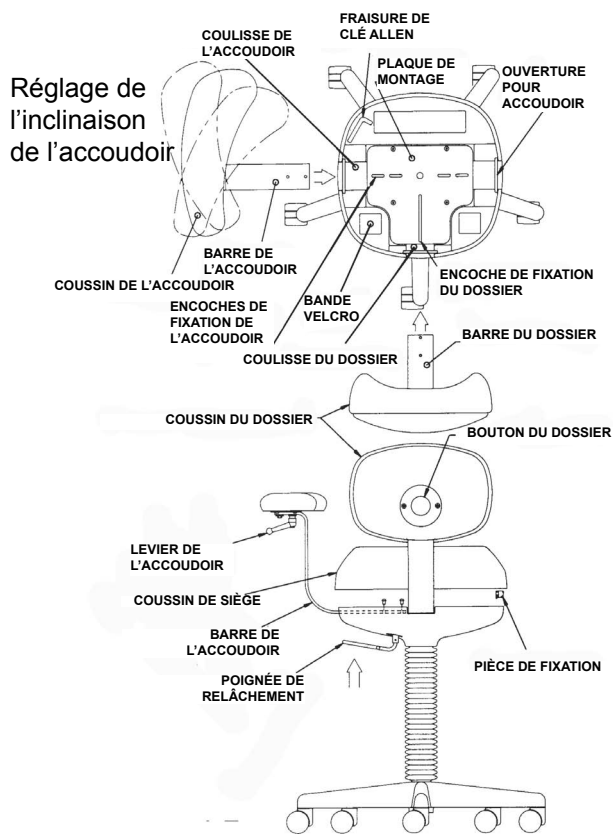


FIGURE 2
Accoudeur en option



FIGURE 3
Insérez la barre de l'accoudeur dans la coulisse de l'accoudeur sous la plaque de montage (voir figure 2). Alignez les trous taraudés de la barre de l'accoudeur avec les deux encoches de fixation de l'accoudeur dans la plaque de montage. À l'aide de la clé Allen 5/32 fournie, serrez les deux vis 2,54 cm x 0,95 cm (1/4 - 20 x 3/8) dans la barre de l'accoudeur en passant par la plaque de montage. Répétez la procédure ci-dessus avec l'autre accoudeur. Après avoir serré la dernière vis, placez la clé Allen dans la fraisure de la clé Allen.

Dossier en option



FIGURE 4
Insérez la barre du dossier dans la coulisse du dossier sous la plaque de montage (voir figure 2). Alignez les trous taraudés de la barre du dossier avec l'encoche de fixation du dossier dans la plaque de montage. À l'aide de la clé Allen 5/32 fournie, serrez les deux vis 2,54 cm x 0,95 cm (1/4 - 20 x 3/8) dans la barre du dossier en passant par la plaque de montage. Serrez les vis et placez la clé Allen dans la fraisure.

Siège

Insérez les trois plaques coulissantes dans les



FIGURE 5
encoches, si nécessaire (voir figure 2). Les plaques coulissantes se trouvent dans les petits sachets de pièces.
Retirez le coussin du siège du carton. Alignez les trois bandes Velcro sur l'arrière du coussin de siège avec les trois bandes Velcro sur le tabouret de base. Placez ensuite le coussin de siège sur le tabouret de base. Si le coussin n'est pas centré sur le tabouret de base, retirez le coussin et réessayez.

Réglages

Réglage de la hauteur du tabouret

Abaissez le tabouret 425 en tirant la poignée de déverrouillage vers le haut (voir figure 2). Cela ouvrira la vanne du tube à gaz. Le poids de l'opérateur comprimera le gaz du cylindre, ce qui permettra de descendre le tabouret. Dès que vous avez atteint la hauteur désirée, relâchez la poignée. Celle-ci retournera à sa position d'origine et verrouillera la position verticale du tube.

Pour relever le tabouret, saisissez la poignée et tirez-la vers le haut. En maintenant la poignée vers le haut, l'opérateur doit se relever du tabouret. En retirant le poids du tabouret, le gaz comprimé du tube peut exercer suffisamment de pression pour relever l'assise à la position désirée. Dès que vous avez atteint la position désirée, relâchez la poignée.

Pour les appareils dotés de pédales (modèle 427), la vanne du tube à gaz s'ouvre et se ferme en actionnant la pédale au lieu de la poignée. La vanne s'ouvre en pressant la pédale vers le bas et se ferme en relâchant la pédale.

Réglage du dossier

Le dossier peut être réglé de deux manières : d'avant en arrière et de haut en bas. Pour régler vers l'avant ou vers l'arrière, retirez le coussin et desserrez les deux vis 2,54 cm x 0,95 cm (1/4 - 20 x 3/8) à l'aide de la clé Allen 5/32. Positionnez le dossier en poussant ou en tirant la barre du dossier à la base. Resserrez les deux vis 2,54 cm x 0,95 cm (1/4 - 20 x 3/8) dès que vous avez atteint la position désirée.

Desserrez le bouton du dossier pour régler la hauteur (tourner dans le sens inverse des aiguilles d'une montre) et montez ou descendez le coussin du dossier. Dès que vous avez atteint la position désirée, resserrez le bouton du dossier (tournez dans le sens des aiguilles d'une montre).

Réglage des accoudoirs

Chaque accoudoir peut être réglé de deux manières : vers l'intérieur ou l'extérieur et en modifiant l'inclinaison. Pour le régler vers l'intérieur ou l'extérieur, retirez le coussin et en desserrez les deux vis 2,54 cm x 0,95 cm (1/4 - 20 x 3/8) à l'aide de la clé Allen fournie. Positionnez l'accoudoir en poussant ou en tirant la barre de l'accoudoir à la base. Dès que vous avez atteint la position désirée, resserrez les deux vis 2,54 cm x 0,95 cm (1/4 - 20 x 3/8) sur chaque accoudoir.

Pour régler l'inclinaison de la manchette d'accoudoir, tournez le levier de l'accoudoir d'un demi-tour vers l'intérieur. Réglez l'angle de la manchette de l'accoudoir et tournez le levier de l'accoudoir d'un demi-tour vers l'extérieur pour verrouiller la position.

Nettoyage

Garniture

Laver la garniture toutes les semaines avec un mélange de savon doux liquide et d'eau, rincer à l'eau claire et sécher complètement pour éviter l'accumulation de nettoyant désinfectant.

Désinfecter la garniture avec une solution d'eau de javel standard et d'eau mélangée dans un rapport de 1 pour 10 (10 %) ou de nettoyants à base de chlore. Puis rincer à l'eau claire et sécher soigneusement. Se reporter à la directive actuelle de désinfection et de stérilisation dans les centres de santé des Centres pour le contrôle et la prévention des maladies (CDC).

Pour minimiser le danger dû à l'accumulation de nettoyant désinfectant résiduaire, empêcher les désinfectants de se regrouper à la surface de la garniture. Une fois le temps de contact requis passé, retirer et sécher l'excédent de liquide restant sur la surface.

Votre produit est livré avec un manuel détaillé d'utilisation et d'entretien. Ces informations sont également disponibles sur www.midmark.com dans la bibliothèque technique sous l'onglet Assistance pour votre produit.

Surfaces en métal/en plastique peintes

Chaque semaine, nettoyer les surfaces en métal et en plastique peintes à l'aide d'un chiffon doux propre et d'un détergent doux. Cirer régulièrement ces surfaces avec une cire pour meubles afin de faciliter le nettoyage et de préserver le lustre des surfaces.

Renseignements sur la garantie

CADRE DE GARANTIE Midmark Corporation (« Midmark ») s'engage auprès de l'acquéreur initial à réparer ou à remplacer, au gré de Midmark, les produits médicaux locaux et internationaux fabriqués par Midmark (hormis les composants non garantis en vertu des « Exclusions ») qui sont défectueux au niveau du matériel ou de la qualité d'exécution dans des conditions normales d'utilisation et de service. Le seul recours admissible aux termes de la présente garantie limitée est la réparation ou le remplacement des composants concernés, au gré de Midmark. La présente garantie limitée ne s'applique qu'aux défauts signalés à Midmark durant la période de garantie applicable et dont Midmark détermine après examen qu'ils existent. La présente garantie s'étend au seul acquéreur initial d'un produit et n'est ni transférable, ni cessible. Des composants ou produits de remplacement peuvent être utilisés, ou encore des composants ou produits rénovés, à condition qu'ils présentent une qualité et des spécifications identiques à celles des composants ou produits neufs.

Midmark s'engage auprès de l'acquéreur initial à réparer ou remplacer les logiciels contenus dans les produits fabriqués par Midmark (hormis ceux non garantis en vertu des « Exclusions ») pendant la période de garantie applicable si : (1) le support sur lequel le logiciel est fourni présente des défauts matériels ou d'exécution dans des conditions normales d'utilisation ; ou (2) le logiciel n'est pas fondamentalement conforme aux spécifications annoncées.

PÉRIODE DE GARANTIE APPLICABLE La période de garantie applicable est d'un (1) an pour tous les produits et composants couverts par la garantie, à compter de la date de facturation à l'acheteur au détail initial du produit.

OBTENTION DU SERVICE DE GARANTIE Le service de garantie doit être mis en œuvre par Midmark ou un distributeur agréé de la ligne de produits de Midmark pour laquelle le service de garantie est requis. Les demandes ou questions liées au service de garantie Midmark peuvent être adressées par courrier électronique sur www.midmark.com ou par téléphone au +1-937-526-3662 ou par courrier à Midmark Corporation, 60 Vista Drive, Versailles, Ohio 45380. L'acquéreur a l'obligation de prendre ses dispositions auprès de Midmark ou de tout revendeur agréé pour mettre en place un service de garantie, service qui est à la charge de l'acquéreur. L'acquéreur est également dans l'obligation de se conformer aux instructions du service de garantie fourni par Midmark ou son distributeur agréé. L'acquéreur doit fournir à Midmark les renseignements relatifs à l'enregistrement de la garantie dans les trente (30) jours consécutifs à l'achat afin de pouvoir jouir de la garantie.

EXCLUSIONS : Midmark ne peut être tenu pour responsable des cas suivants, qui ne sont pas couverts par la garantie limitée :

- (1) les malfaçons, dommages ou autres conditions provoquées, en tout ou en partie, par une utilisation abusive ou incorrecte, une négligence, une modification, un accident, des dommages subis pendant le transport, une négligence dans l'entreposage, une altération ou une demande de réparation ou de remplacement hors délais ;
- (2) les produits qui ne sont pas installés, utilisés, nettoyés et entretenus correctement tel qu'exigé ou recommandé dans les guides « Installation » ou « Installation/Fonctionnement » de Midmark pour le produit concerné, y compris les conditions environnementales structurelles et opérationnelles et les exigences électriques ;
- (3) les produits considérés comme étant de nature consommable ou stérile ;
- (4) les accessoires ou pièces n'étant pas fabriqués par Midmark ;
- (5) les frais appliqués par quiconque pour des réglages, des réparations, des pièces de remplacement, l'installation ou toute autre tâche accomplie sur ou en rapport avec lesdits produits, qui ne sont pas expressément autorisés au préalable et par écrit par Midmark ;
- (6) les frais d'entretien et de nettoyage ordinaires ; et
- (7) les représentations et garanties données par toute autre personne ou entité que Midmark.
- (8) la correspondance de couleur, de grain ou de texture, hormis selon les normes commerciales acceptables ;
- (9) les changements de couleur causés par la lumière naturelle ou artificielle ;
- (10) les produits de fabrication sur mesure ;
- (11) les altérations ou modifications au produit par toute personne ou entité autre que Midmark ; et
- (12) les produits qui seraient sinon couverts par cette garantie limitée, mais qui ont été acquis : (i) auprès d'une personne ou d'un organisme autre que Midmark ou l'un de ses revendeurs agréés ; ou (ii) auprès d'un revendeur Midmark non autorisé à vendre le produit en cause sur le territoire géographique où se trouve l'acheteur ou non autorisé à vendre le produit en cause sur le marché médical.

LOGICIEL ; EN LIEN AVEC UN LOGICIEL QUI EST UN PRODUIT OU UN COMPOSANT D'UN PRODUIT, MIDMARK NE GARANTIT PAS QUE LE LOGICIEL : (1) EST EXEMPT D'ERREURS ; (2) PEUT ÊTRE UTILISÉ SANS PROBLÈME OU INTERRUPTION ; OU (3) EST EXEMPT DE VULNÉRABILITÉS AUX INTRUSIONS OU ATTAQUES DE VIRUS OU AUTRES PROCÉDÉS.

RECOURS EXCLUSIF ; AVIS DE NON-RESPONSABILITÉ POUR LES DOMMAGES INDIRECTS ; L'UNIQUE OBLIGATION DE MIDMARK DANS LE CADRE DE CETTE GARANTIE LIMITÉE EST LA RÉPARATION OU LE REMPLACEMENT DES PIÈCES DÉFECTUEUSES. MIDMARK NE PEUT ÊTRE TENU POUR RESPONSABLE ET DÉCLINE PAR LA PRÉSENTE TOUTE RESPONSABILITÉ POUR TOUT RETARD OU DOMMAGE DIRECT, PARTICULIER, INDIRECT, ACCIDENTEL, EXEMPLAIRE OU CONSÉCUTIF, Y COMPRIS, SANS S'Y LIMITER, LES DOMMAGES RELATIFS À UNE PERTE DE BÉNÉFICE OU DE REVENU, UNE PERTE D'USAGE, UNE PERTE DE DONNÉES, UN TEMPS D'INDISPONIBILITÉ, UNE COUVERTURE ET LES SALAIRES, PAIEMENTS ET AVANTAGES SOCIAUX D'EMPLOYÉS OU D'ENTREPRENEURS INDÉPENDANTS. CETTE EXCLUSION SURVIVRA À TOUT MANQUEMENT OU MANQUEMENT ALLÉGUÉ AU BUT ESSENTIEL DE CETTE GARANTIE LIMITÉE OU À SES RECOURS PRÉVUS. EXCLUSION DE GARANTIE : CETTE GARANTIE EST LA SEULE GARANTIE DE MIDMARK ET REMPLACE TOUTES LES AUTRES GARANTIES EXPLICITES OU IMPLICITES. MIDMARK N'ACCORDE AUCUNE GARANTIE IMPLICITE D'AUCUNE SORTE, Y COMPRIS LES GARANTIES IMPLICITES DE COMMERCIALISATION OU D'ADAPTATION POUR UNE UTILISATION PARTICULIÈRE. CETTE GARANTIE EST LIMITÉE À LA RÉPARATION OU AU REMPLACEMENT DE PIÈCES DÉFECTUEUSES.

PRESCRIPTION Aucune action ne peut être portée contre Midmark pour violation de la présente garantie limitée, d'une garantie implicite, le cas échéant, ou pour toute autre revendication découlant de ou relative aux produits, plus de quatre-vingt-dix (90) jours après expiration de la période de garantie limitée.

AUCUNE AUTORISATION Aucune personne ou société n'est autorisée à créer ou approuver d'autres obligations ou responsabilités pour Midmark en rapport avec les produits.

Midmark Corporation
60 Vista Drive
Versailles, OH 45380-0286
1-800-MIDMARK
Fax 877-249-1793

www.midmark.com



Because we care.