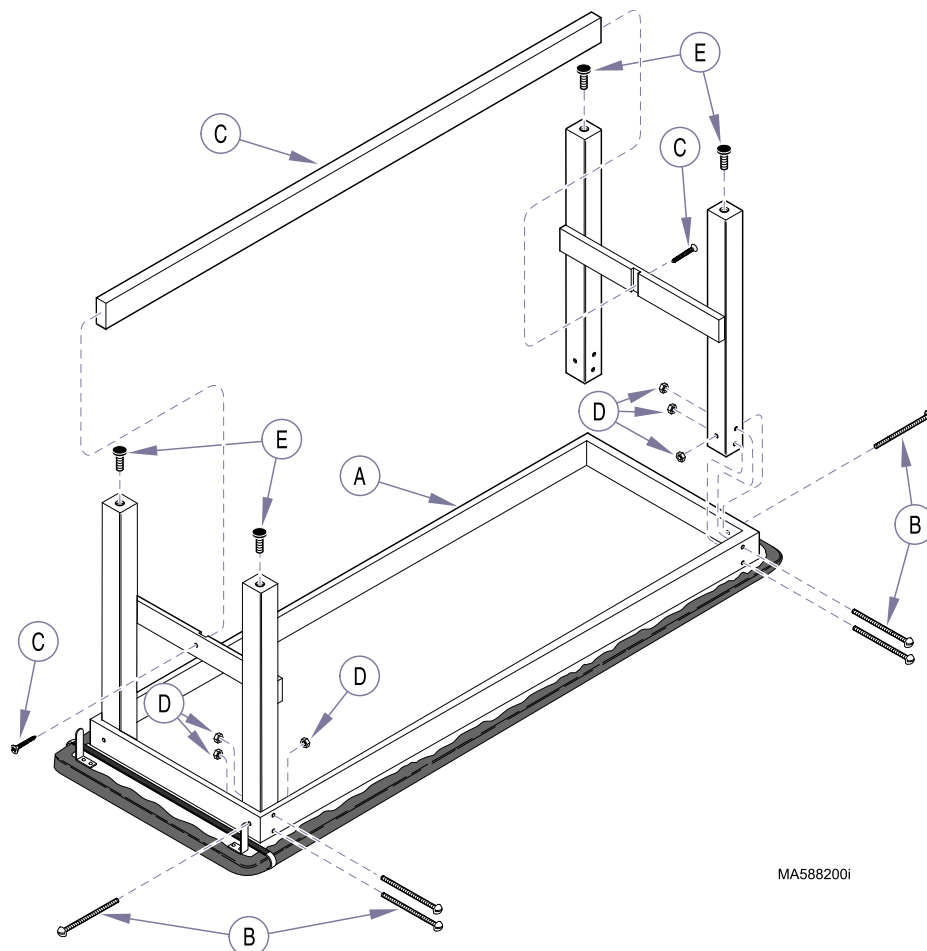


REQUIRED TOOLS

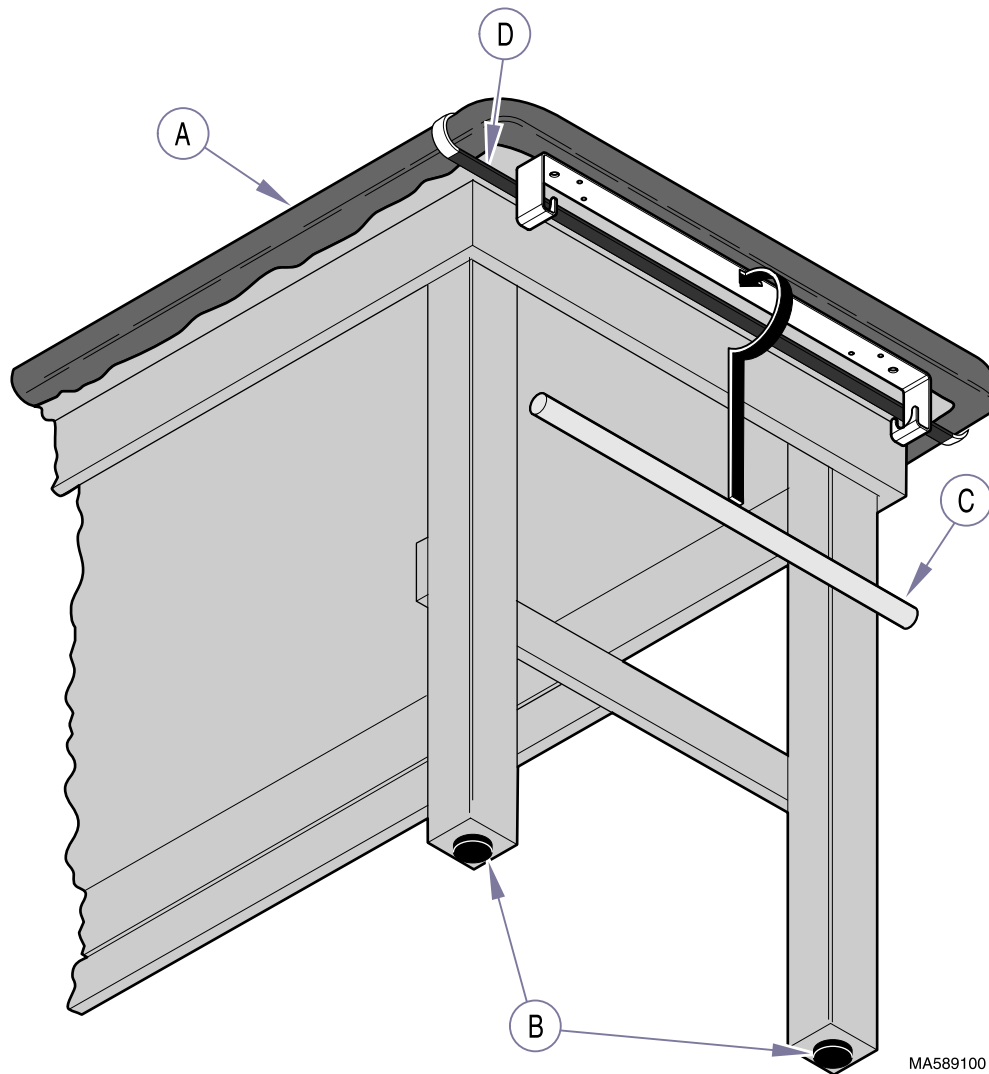
7/16" Socket Wrench
Phillips Screwdriver
Level

INSTALLATION (1)



- A. Lay table top [*upholstered side down*] on a clean, stable surface.
- B. Position leg assemblies [*w/notches to inside*] and secure to table top using carriage bolts & nuts.
Note: Do not tighten nuts at this time.
- C. Install cross member and secure using drywall screws.
- D. Tighten nuts.
- E. Install leveling screws.

INSTALLATION (2)



MA589100

- A. Set table upright and check stability. [*Tighten carriage bolts / nuts if necessary*]
- B. Adjust leveling screws until table is level.
- C. Install dowel rod.
- D. Install paper tear strips.
- E. **Optional:** Center shelf between legs and lay flat.