

9A157 SIDE RAIL ASSEMBLY (PAIR)

KIT COMPONENTS

| Part Number | Description | Qty. |
|-------------|---------------------------------------|--------|
| 9A157 | Side Rail Assembly | 1 pair |
| 003-0579-00 | Installation / Operation Instructions | 1 |

REQUIRED TOOLS

None

INTRODUCTION

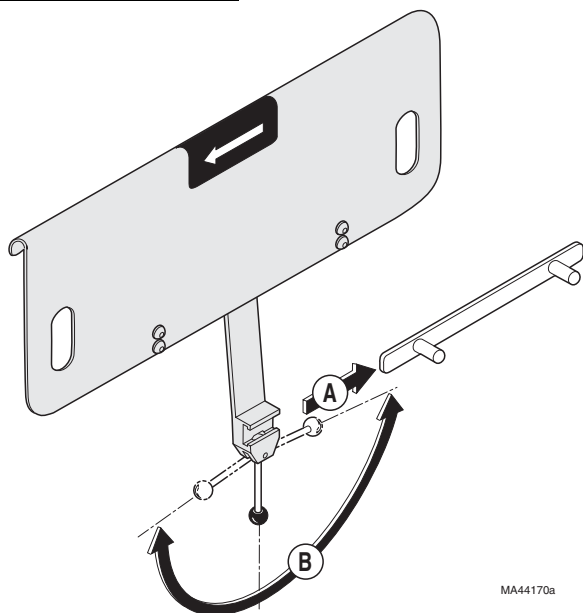
To provide patient security.



WARNING

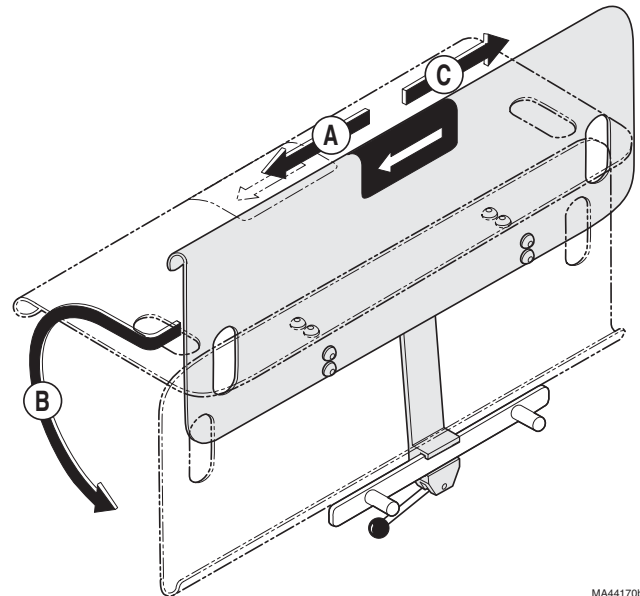
Mount 9A157 Side Rail on siderail bar of exam table. Maximum weight limitation on side rail panel is 20 lbs. (9.1 kgs.). Do not use with any other accessories on same side of table. Assure side rail is locked after positioning. Failure to comply may cause personal injury to patient.

INSTALLATION



- A. Slide clamp weldment onto side rail to desired position.
- B. Rotate lock handle to one side to lock.

OPERATION



- A. Pull side rail in direction of arrow, holding in that position.
- B. Rotate side rail to desired position, straight out (90°) or down (180°).
- C. Release side rail to lock.



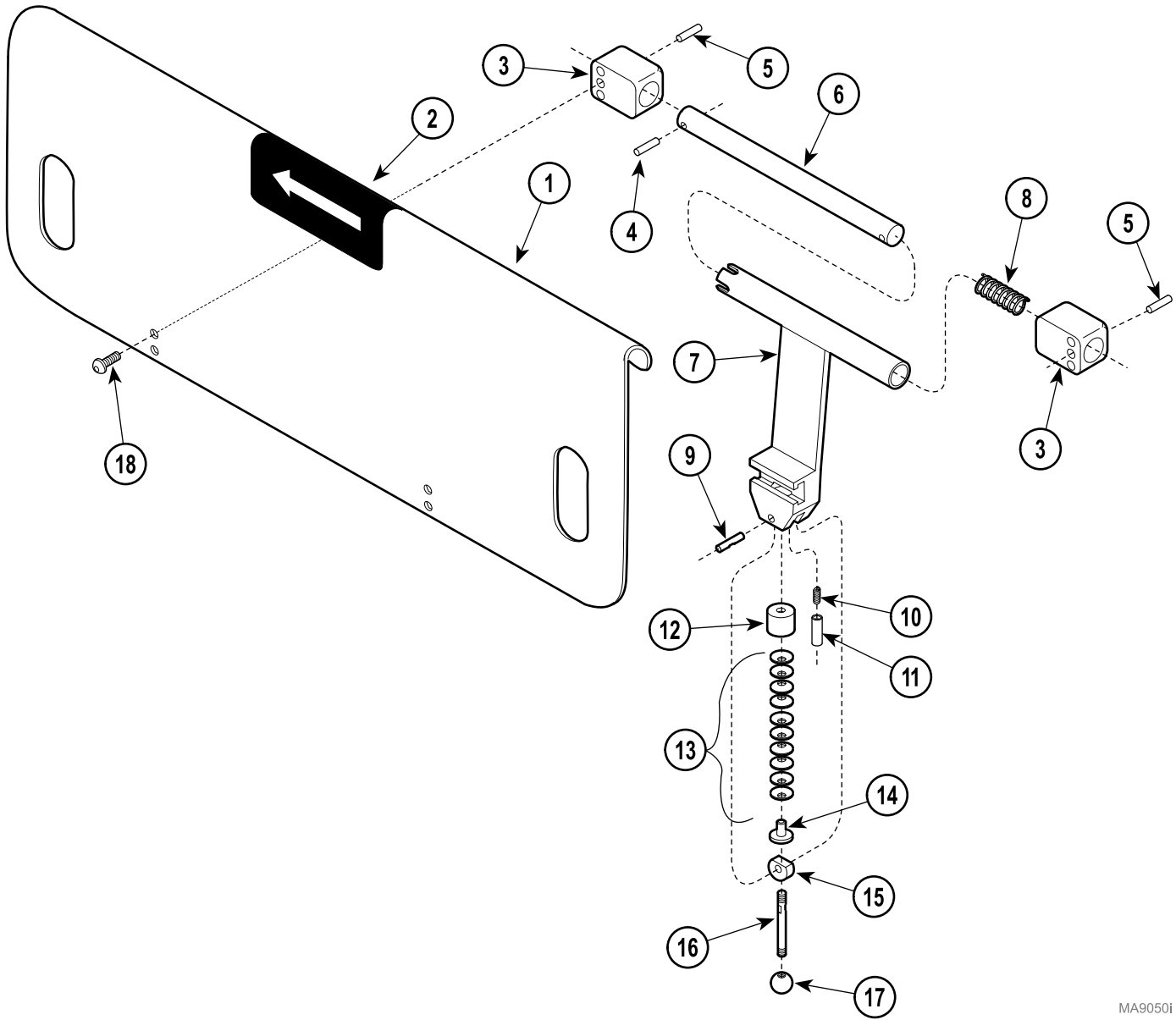
WARNING

Assure side rail is locked in position.

MIDMARK®

Midmark Corporation, 60 Vista Drive, P.O. Box 286, Versailles, Ohio 45380-0286
 Phone: 1-937-526-3662 Fax: 1-877-249-1793 midmark.com

Side Rail Assembly



MA90501

| Item | Part No. | Description | Qty. | Item | Part No. | Description | Qty. |
|------|------------------|--|------|------|--------------|--|------|
| | 9A157001 | Side Rail Assembly (Pair) [Pearl Grey] | 1 | 8 | •025-0042-02 | • Spring | 1 |
| | 9A157002 | Side Rail Assembly (Pair) [Sand Grey] | 1 | 9 | •057-0321-00 | • Cam Pin | 1 |
| | 9A157003 | Side Rail Assembly (Pair) [Pearl Grey] | 1 | 10 | •025-0042-01 | • Spring | 1 |
| | | [Used on 630 UPT only] | 1 | 11 | •057-0317-00 | • Guide Pin | 1 |
| 1 | •050-2116-00-216 | • Side Rail Panel [Pearl Grey] | 1 | 12 | •057-0316-00 | • Piston | 1 |
| | •050-2116-40 | • Side Rail Panel [Sand Grey] | 1 | 13 | •045-0001-73 | • Belleville Washer | 10 |
| 2 | •061-0389-00 | • Side Rail Decal | 1 | 14 | •057-0265-00 | • Post Washer | 1 |
| 3 | •051-0807-00 | • End Block | 2 | 15 | •057-0318-00 | • Cam | 1 |
| 4 | •042-0043-07 | • Groove Pin | 1 | 16 | •057-0320-00 | • Cam Handle | 1 |
| 5 | •042-0043-04 | • Groove Pin | 2 | 17 | •016-0459-00 | • Handle Knob (Apply Loctite #042-0025-00) | 1 |
| 6 | •057-0319-00 | • Shaft | 1 | 18 | •040-0250-42 | • Screw | 4 |
| 7 | •030-0783-00 | • Clamp (9A157001 & 002) - shown | 1 | 19 | •003-0579-00 | • Installation Instructions | 1 |
| | •030-0783-02 | • Clamp (9A157003) - not shown | 1 | | | | |

Always Specify Model & Serial Number