

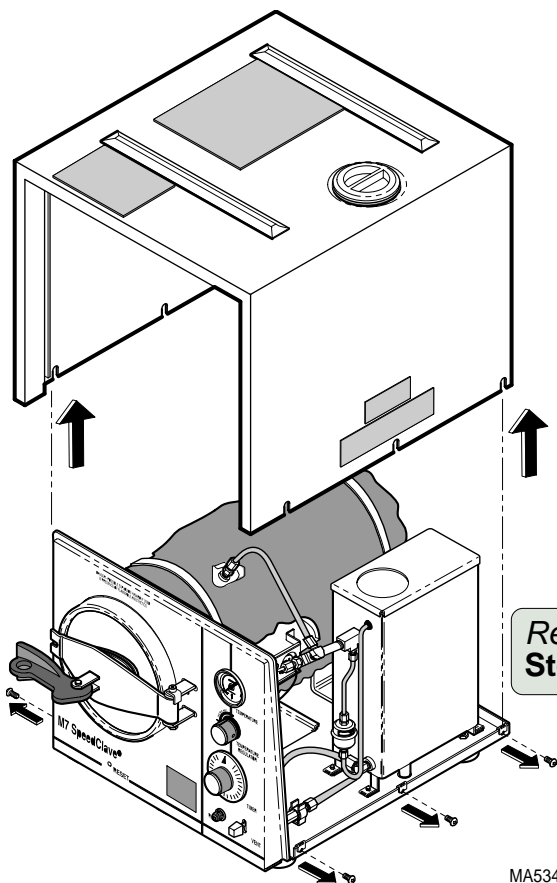
# Timer / Buzzer Kit M7 Sterilizer

002-0373-00 120 VAC

002-0373-01 230 VAC

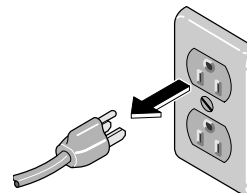
### Kit Components:

	Qty
Timer .....	1
Buzzer .....	1
Screws, #6-32 x 5/16" Phillips .....	2
Wire Harness .....	1
Installation Instruction .....	1



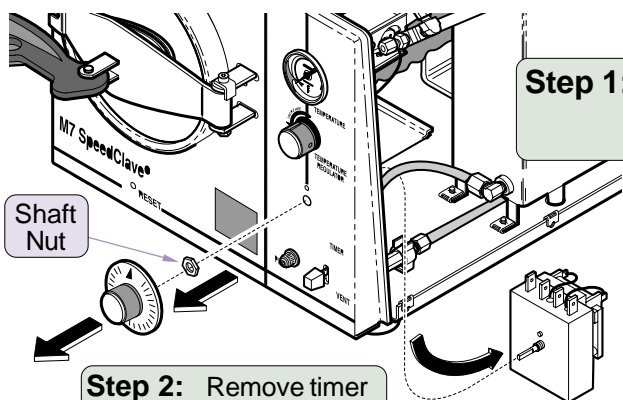
**Removal**  
**Step 1:** Remove cover.

MA534201i



MA463100i

**Warning**  
**Disconnect Power**  
**and allow unit to cool before**  
**removing parts.**



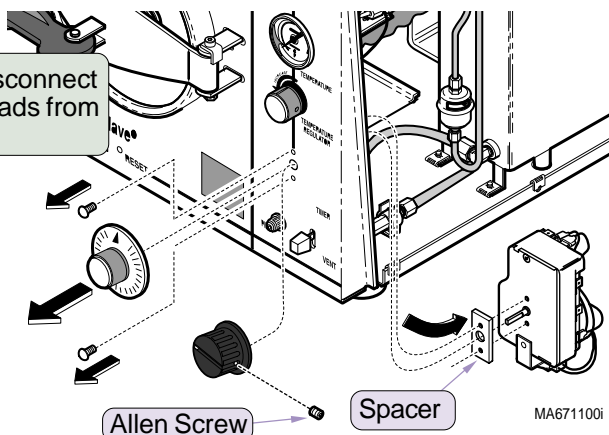
**Step 2:** Remove timer knob

**NOTE**

Some timer knobs are held on by an allen screw. Loosen screw before removing knob.

**Earlier Units**

MA671000i



**Present Units**

**NOTE**

A spacer was used on some timers that had the buzzer mounted on the timer. It is not used with this timer. Discard the spacer.

MA671100i

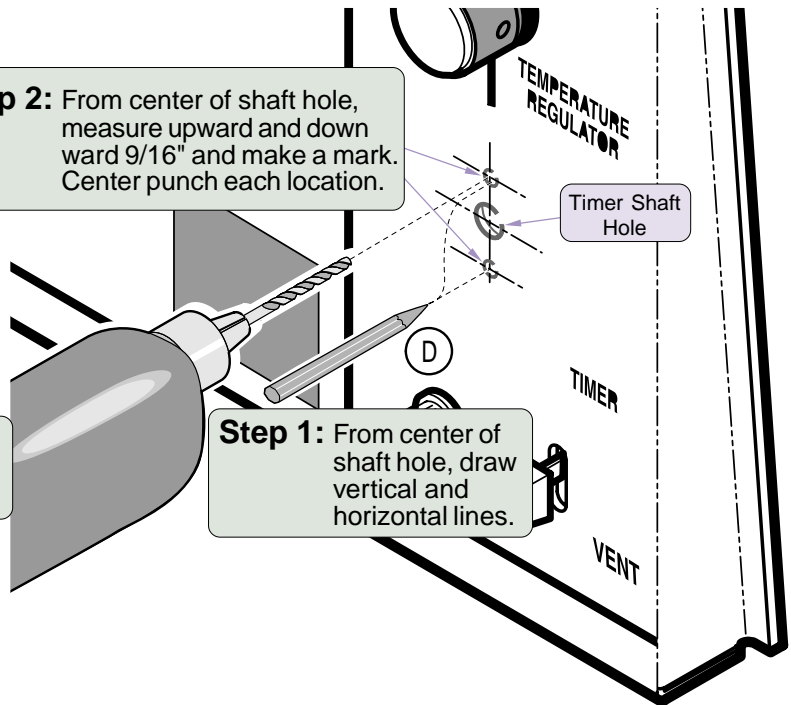
**NOTE**

On units that use a 3/8" nut to secure the timer to the front panel it will be necessary to drill two 3/16" holes to mount the new timer. The holes must be vertically in line with the center of the timer shaft hole.

**Step 2:** From center of shaft hole, measure upward and downward 9/16" and make a mark. Center punch each location.

**Step 3:** Drill a 3/16" hole at each center punch mark.

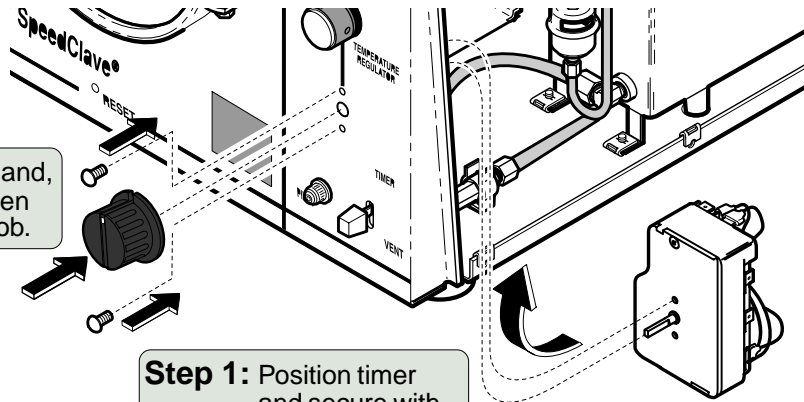
**Step 1:** From center of shaft hole, draw vertical and horizontal lines.



MA534501i

**Step 2:** Install timer knob and, if necessary, tighten allen screw on knob.

**Step 1:** Position timer and secure with two #8-32 x 5/16" screws.



**NOTE**

Buzzer assembly is mounted on the bracket on the right side of the chamber.

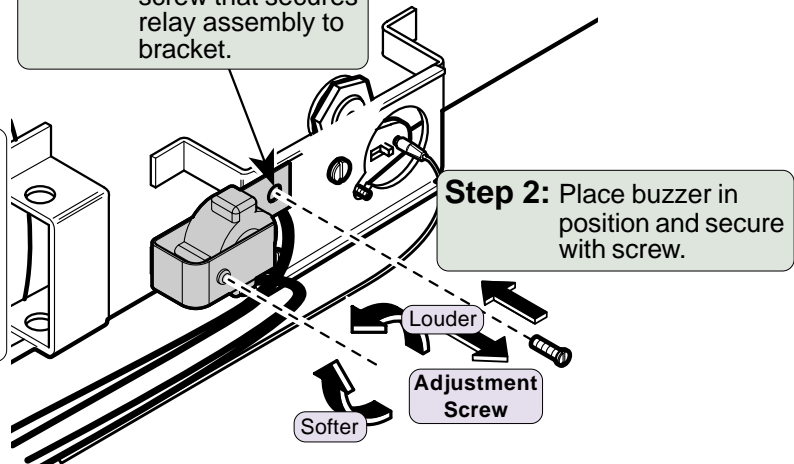
**Buzzer Adjustment**

The "Loudness" of the Buzzer can be adjusted by turning the adjustment screw. It is "factory set" for the loudest signal.

Clockwise = Softer  
C'Clockwise = Louder

**Step 1:** Remove top, left screw that secures relay assembly to bracket.

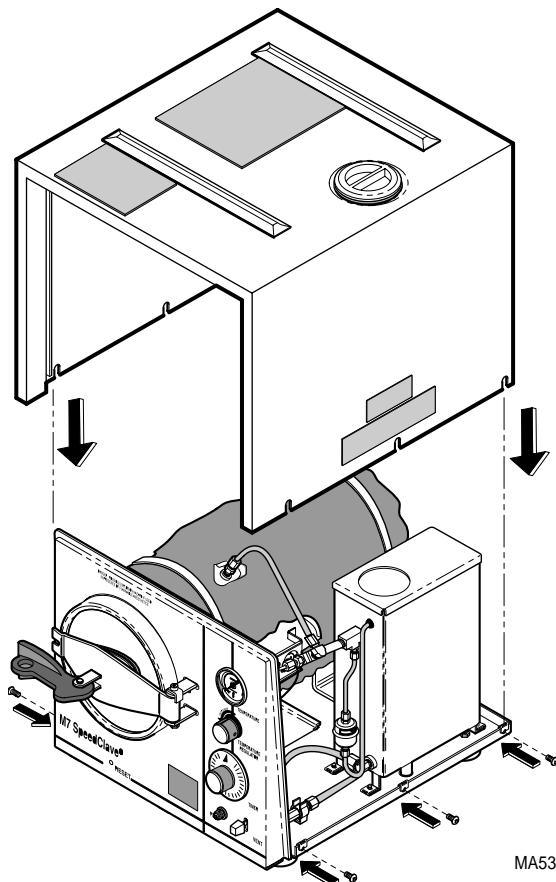
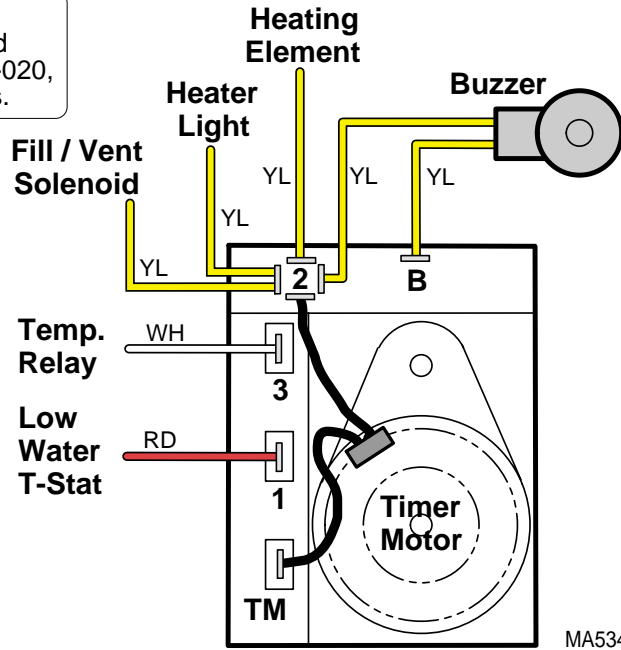
**Step 2:** Place buzzer in position and secure with screw.



**NOTE\***  
 Fill / Vent Solenoid lead  
 pertains to Models M7-020,  
 -021, & -022 Sterilizers.

**Step 1:** Connect electrical leads from various components to timer as shown. If necessary, refer to specific wiring diagram / schematic in Service & Parts manual.

**NOTE**  
 If the present wire harness is too short, replace it with longer harness included with kit.  
 \*Harness *cannot* be used on the Models M7-020, -021, or -022 that have the Fill / Vent Solenoid Valve.



**Step 1:** Install cover.

**Step 2:** Run a cycle to check operation.