

9A179001/003 FIXED ARMBOARD

KIT COMPONENTS

Part Number	Description	Qty.
9A179001/002	Procedures Armboard	1
003-0654-00	Installation / Operation Instructions	1

REQUIRED TOOLS

None

INTRODUCTION

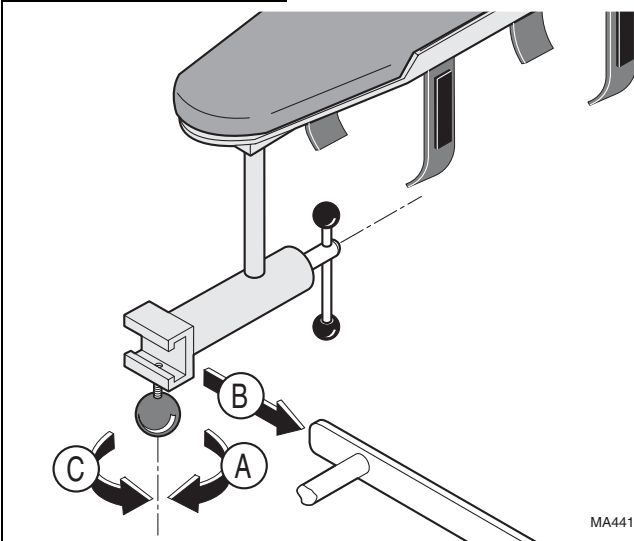
To hold an arm in a secure position while the table is in a flat position. Armboard has limited up, down and side movement.



WARNING

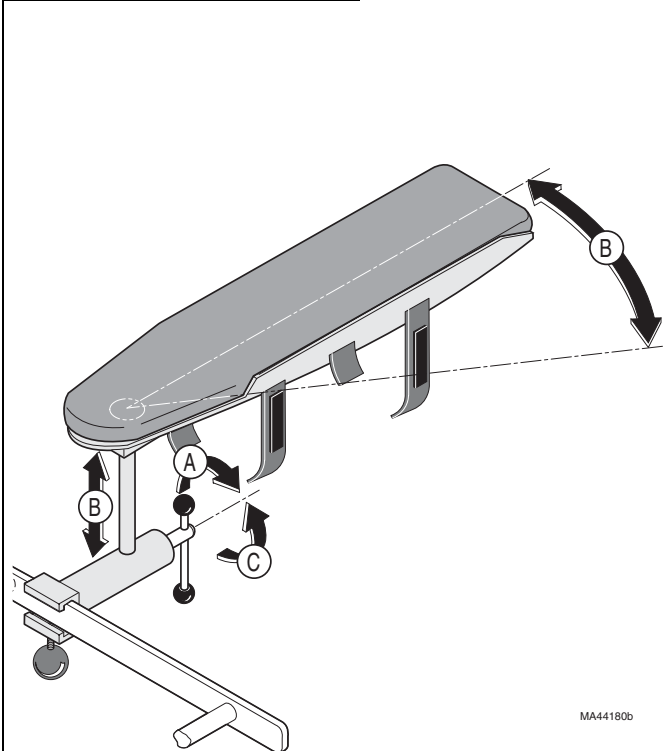
Mount 9A179001/002 Armboard on siderrail bar of exam table. Use caution when positioning Armboard and/or table. Do not use with any other accessories on same side of table. Always support Armboard assembly when changing positions on it. Assure all positions are solidly locked to prevent sudden movement during procedure.

INSTALLATION



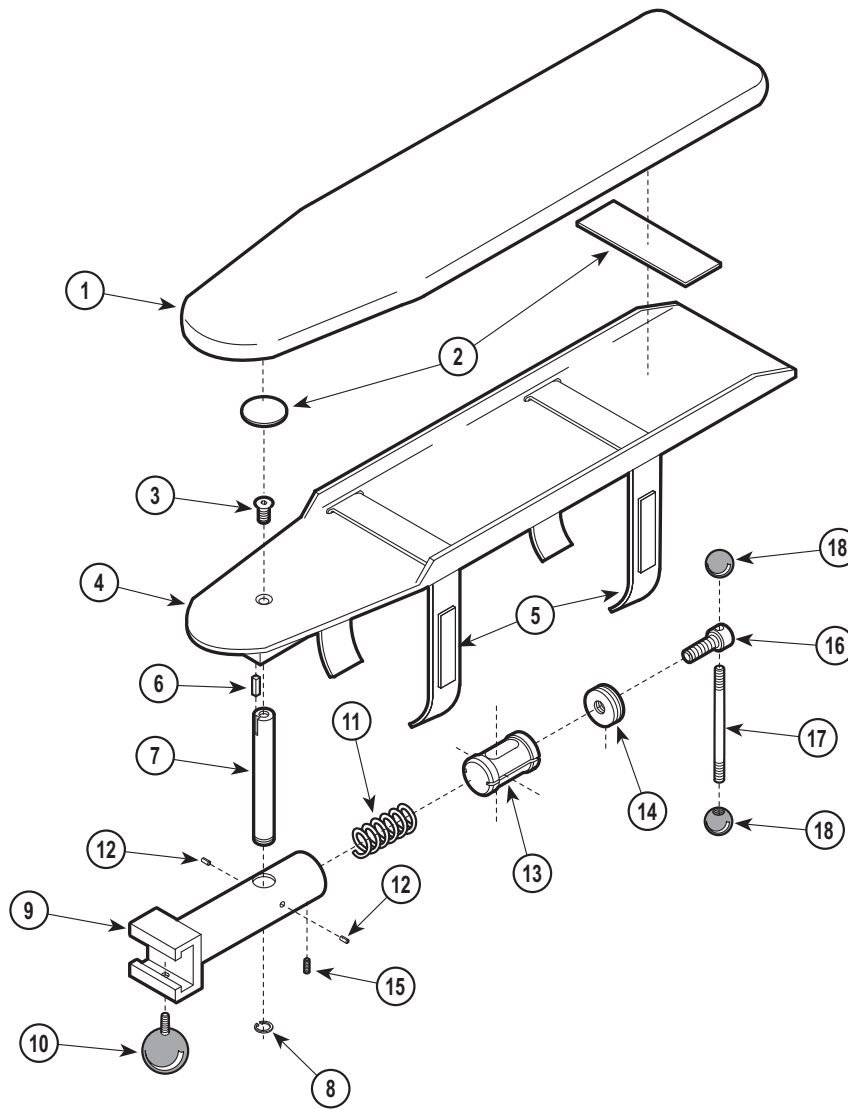
- A. Loosen knob.
- B. Slide swivel block onto side rail to desired position.
- C. Tighten knob.

OPERATION (HEIGHT & ROTATION)



- A. Supporting Armboard, loosen T-handle.
- B. Raise or lower and rotate the Armboard to desired position.
- C. Tighten T-handle.

Fixed Armboard Assembly



MA225500

Item	Part No.	Description	Qty.	Item	Part No.	Description	Qty.
	9A179001/003	Fixed Procedure Armboard Assembly (Includes Items 1 thru 19) (N.L.A.)	1	7	•057-0366-01	• Shaft-5" (Special Procedure Armboards Only)	1
	9A179002-***	Fixed Examination Armboard Assembly (Includes Items 1 thru 19)	1		•057-0366-00	• Shaft-7" (Exam. Armboards Only)	1
1	•028-0316-01	• Special Procedure Armboard Cushion (Black)	1	8	•042-0101-04	• Retaining Ring	1
	•028-0316-02	• Special Procedure Armboard (Pearl Grey)	1	9	•030-0985-01	• Clamp Weldment (Special Procedure Armboards Only)	1
	•028-0316-02	• Special Procedure Armboard (Pearl Grey)	1		•030-0986-01	• Clamp Weldment (Examination Armboards Only)	1
	•028-0170-XXX	• Upholstered Examination Armboard (Specify Color)	1	10	•029-2476-00	• Knob Assembly	1
2	•053-0131-28	• Velcro (Special Procedure Armboards Only)	1	11	•525-0021-00	• Compression Spring	1
	•053-0131-13	• Velcro (Exam. Armboards Only)	1	12	•042-0001-10	• Roll Pin	2
3	•040-0010-56	• Screw	1	13	•557-0839-00	• Piston	1
4	•030-0857-00	• Armboard Weldment	1	14	•557-0293-00	• Knob Boss	1
5	•029-0526-00	• Nylon Strap Assembly	2	15	•040-0250-75	• Set Screw	1
6	•042-0008-00	• Key	1	16	•557-0295-00	• Crank Bar	1
				17	•557-0294-00	• Knob Rod	1
				18	•016-0050-00	• Knob (Apply Loctite #042-0025-00) ...	2
				19	•003-0654-00	• Installation Instructions	1

N.L.A. denotes "No Longer Available"
Always Specify Model & Serial Number