

9A214001/002 SECURITY BELTS

KIT COMPONENTS

Part Number	Description	Qty.
053-0148-00	Security Belts	2
040-0010-47	Screws (#10-24 x 3/8" Phillips).....	4
050-1320-00	Belt Mount Brackets	2
003-0751-00	Installation / Operation Instructions	1

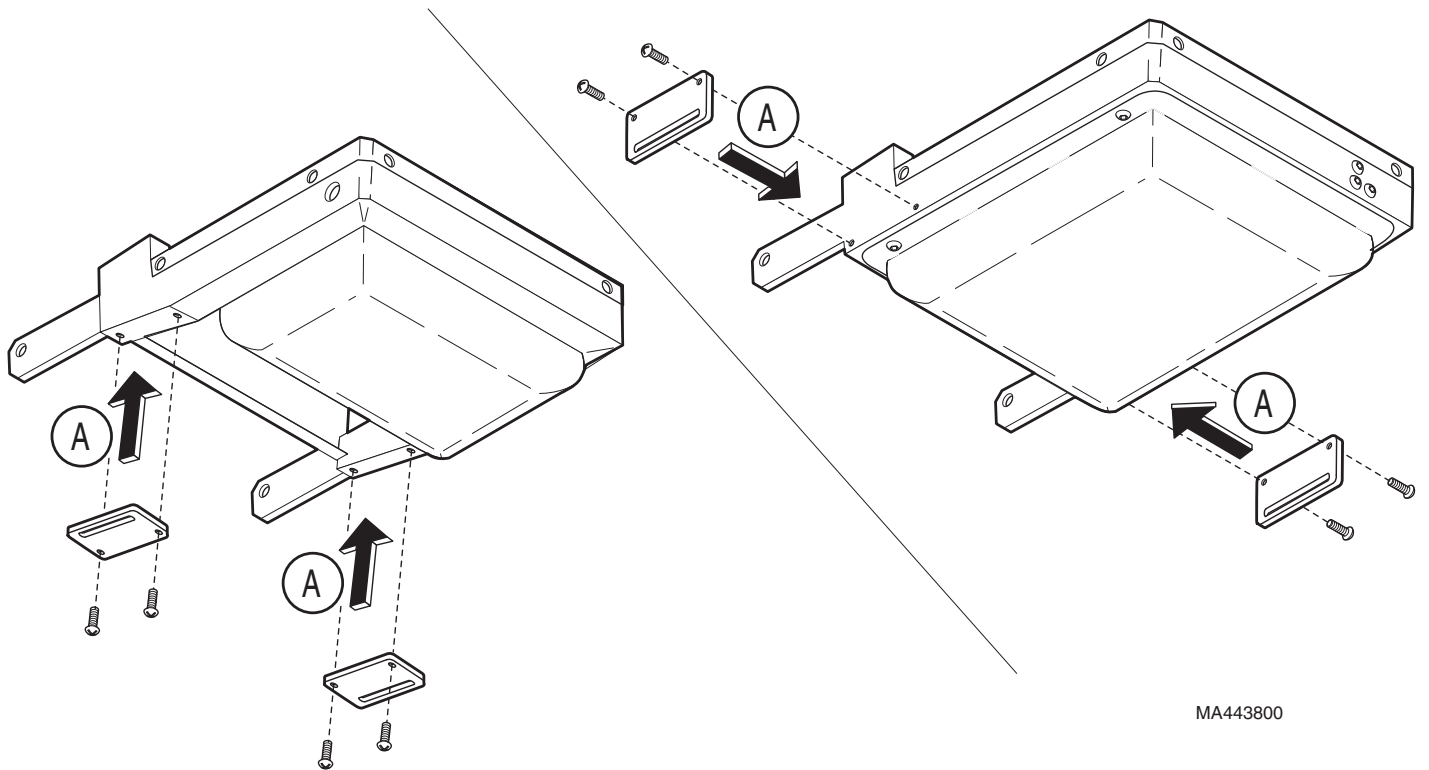
REQUIRED TOOLS

Phillips Screwdriver

INTRODUCTION

To secure patient to table during examination / procedures.

INSTALLATION (BELT MOUNTS)

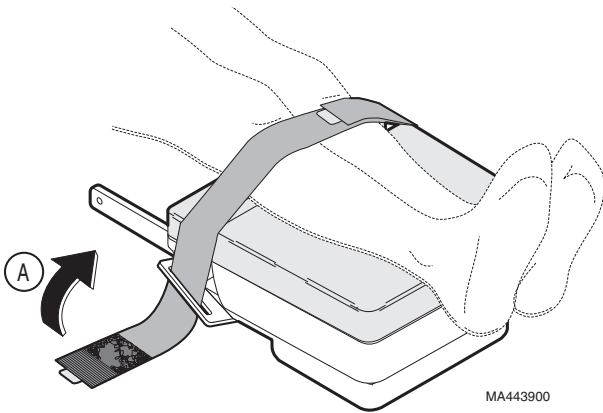


NOTE

For ease of installation raise table and foot rest up and tilt table back.

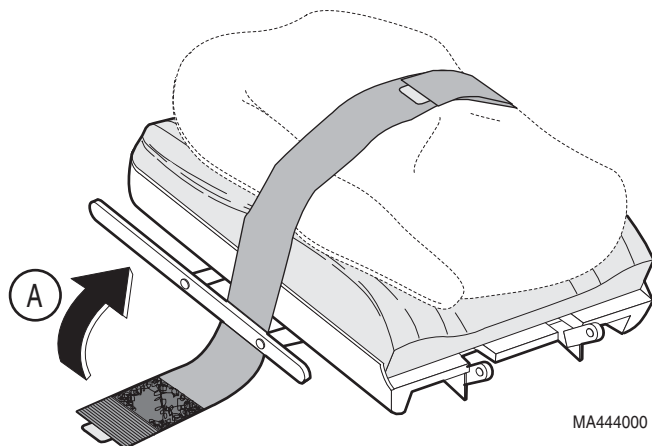
A. Place belt mounts in position at bottom of foot rest. Secure with mounting screws.

INSTALLATION (LEG SECTION)



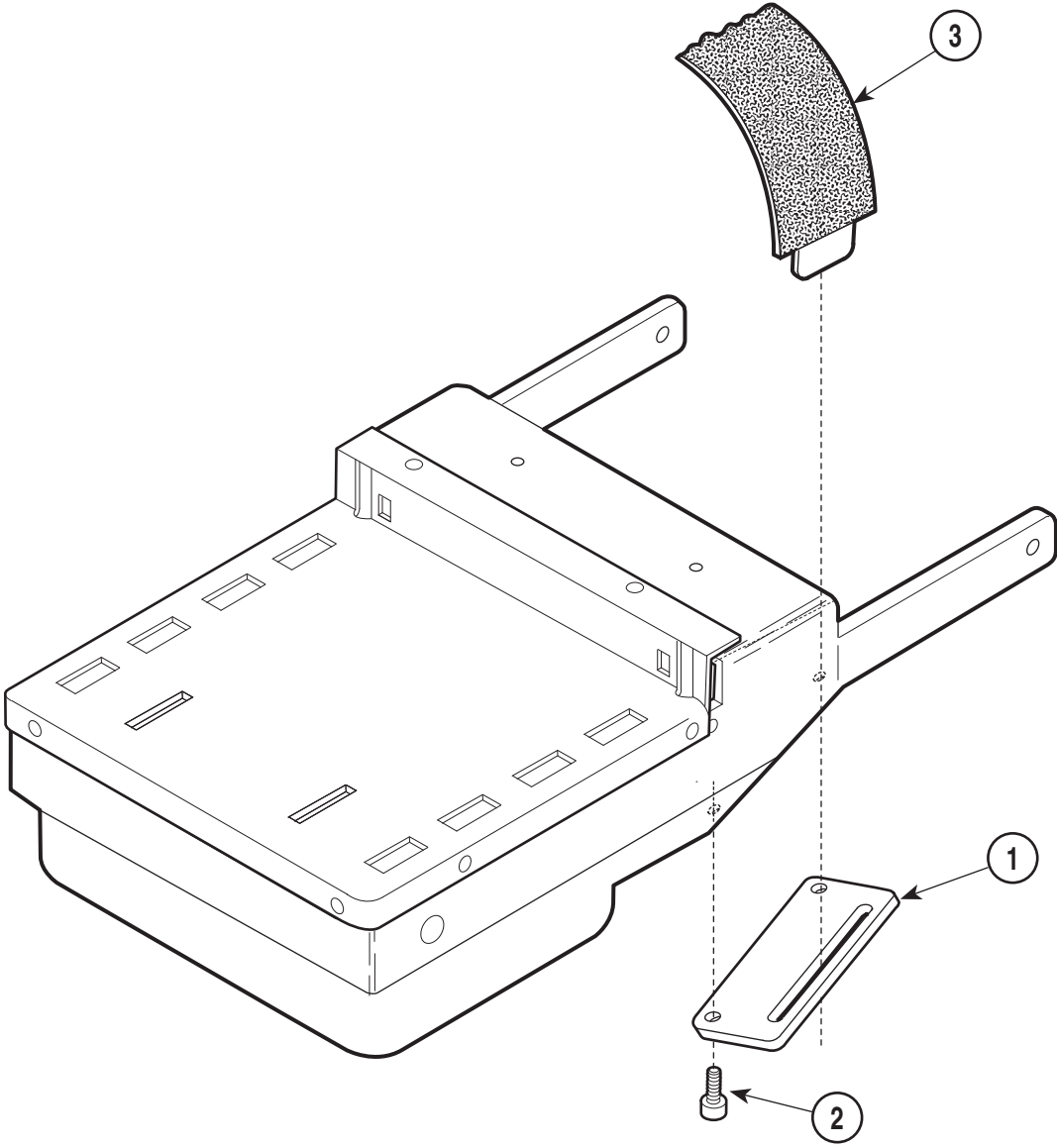
- A. Place velcro end of strap through slot of belt mounts, looping it so velcro contacts top of strap.

INSTALLATION (BACK SECTION)



- A. Place velcro end of strap through opening between back section and side bar, looping it so velcro contacts top of strap

Security Belts



MA285500

Item	Part No.	Description	Qty.	Item	Part No.	Description	Qty.
	9A214002	Security Belt Assembly (Includes		2	• 040-0010-47	• Screw	4
		Items 1 thru 4)	1	3	• 053-0148-00	• Security Belt	2
1	• 050-1302-00	• Belt Mount	2	4	• 003-0751-00	• Installation Instructions	1

Always Specify Model & Serial Number