

# Owner's Product Identification

(information that you will need to provide for servicing - key information is highlighted)

Date of Purchase

Serial Number

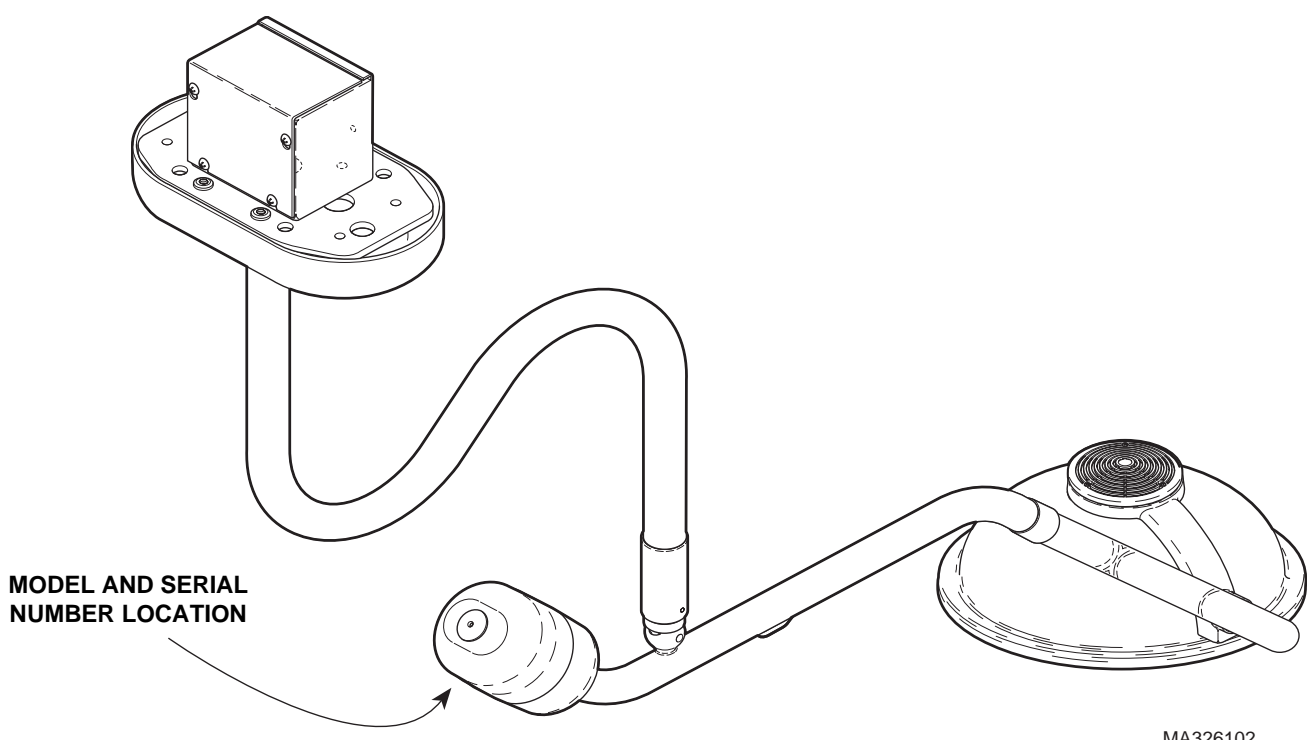
Name of Owner / Facility / Department

Model Number

Name of Authorized Midmark Dealer

Telephone # of Authorized Midmark Dealer

Address of Authorized Midmark Dealer



MA326102

Figure 1. Model Number / Serial Number Location

# CONTENTS

<b>IMPORTANT INFORMATION.....</b>	<b>2</b>
Scope and Purpose of this Manual.....	2
Intended Use of Product.....	2
Authorized CE Representative.....	2
Safety Instructions.....	2
Explanation of Safety Symbols and Notes.....	2
Transportation and Storage Conditions.....	3
<b>GENERAL INFORMATION.....</b>	<b>3</b>
Lighting System.....	3
Specifications.....	3
<b>355 LIGHTING SYSTEM INSTALLATION.....</b>	<b>4</b>
Unpacking.....	4
Ceiling Support Structure Installation.....	5
Electromagnetic Interference.....	5
Wiring Installation.....	6
Junction Box Wiring Connections.....	6
Ceiling Plate Assembly Installation.....	8
Down Tube Installation.....	8
Cross Tube Assembly Installation.....	11
Bulb Installation.....	11
Housing Cap Installation.....	12
Operational Test.....	12
<b>TROUBLESHOOTING.....</b>	<b>13</b>
Troubleshooting Guide.....	13
<b>ADJUSTMENTS.....</b>	<b>14</b>
Ball Pivot Tension Adjustment.....	14
Cross Tube Counterbalance Adjustment.....	14
<b>CALLING FOR SERVICE.....</b>	<b>16</b>
<b>LIMITED WARRANTY.....</b>	<b>16</b>

## **IMPORTANT INFORMATION**

### **SCOPE AND PURPOSE OF THIS MANUAL**

This manual covers complete instructions for the installation of the Midmark 355 Lighting System and is intended to be used by personnel involved in the installation of the 355 Lighting System. The Operation Manual (Part Number: 003-0883-xx) for the 355 Lighting System is a separate document and is intended for persons who will operate the 355 Lighting System.

### **INTENDED USE OF PRODUCT**

This product is intended for use in all medical environments where illumination is required for external examinations and procedures.

### **AUTHORIZED CE REPRESENTATIVE**

For countries in the CE union, any questions, incidents, or complaints must be directed to Midmark's Authorized CE representative listed below:

Deckers  
Researchpark  
Interleuvenlaan 12  
B-3001 Heverlee  
Belgium  
Phone: 32-16-400-402

### **SAFETY INSTRUCTIONS**

The primary concern of Midmark is that this equipment be operated and maintained with the safety of the users in mind. To assure safer and more reliable operation, do the following: (1) Read this manual before installing your light assembly; (2) Assure that appropriate personnel are informed on the contents of this manual--this is the responsibility of the purchaser; (3) Be sure that you understand the instructions contained in this manual before attempting to install this light assembly; (4) Be sure that you have read and understand the instructions contained in the Operation Manual (a separate document) before attempting to operate this equipment.

### **EXPLANATION OF SAFETY SYMBOLS AND NOTES**

Throughout this manual are safety alert symbols that call attention to particular procedures. These items are

used as follows:



#### **DANGER**

A **DANGER** is used for an imminently hazardous operating procedure, practice, or condition which, if not correctly followed, will result in loss of life or serious personal injury.



#### **WARNING**

A **WARNING** is used for a potentially hazardous operating procedure, practice, or condition which, if not correctly followed, could result in loss of life or serious personal injury.



#### **CAUTION**

A **CAUTION** is used for a potentially hazardous operating procedure, practice, or condition which, if not correctly followed, could result in minor or moderate injury. It may also be used to alert against unsafe practices.



#### **EQUIPMENT ALERT**

An **EQUIPMENT ALERT** is used for an imminently or potentially hazardous operating procedure, practice, or condition which, if not correctly followed, will or could result in serious, moderate, or minor damage to unit.

#### **NOTE**

A **NOTE** is used to amplify an operating procedure, practice or condition.



Indicates that the unit is rated: Type B, Applied Part.



Indicates that the operator's manual should be consulted for important information.



Indicates the presence of a dangerous voltage / shock hazard.



Indicates a fuse rating specification



Indicates a protective earth ground.



Indicates that the product is fragile; do not handle roughly.



Indicates the proper shipping orientation for the product.



Indicates that the product must be kept dry.



Indicates a hot surface.

## TRANSPORTATION AND STORAGE CONDITIONS

- Ambient Temperature Range: .... -30°C to +60°C (-22°F to 140°F)
- Relative Humidity ..... 10% to 90% (non-condensing)
- Atmospheric Pressure..... 500hPa to 1060 hPa (0.49atm to 1.05atm)

## GENERAL INFORMATION

### LIGHTING SYSTEM

The 355 Lighthouse Assembly is a fixed-focus, faceted reflector lighthouse. The faceted reflector design of the lighthouse provides excellent cavity penetration, while also controlling shadows from light-blocking objects. The design also results in bright, even distribution of light. The individual beams of light are arranged to provide an evenly illuminated 20.3 cm (8 in.) diameter beam at a distance of 91.4 cm (36 in.). The peak illumination at 91.4 cm (36 in.) is at least 43,000 Lux (4,000 fc). The optical system filters out most of the infrared heat from the prefocused pattern of light.

The plastic handle can be easily removed for sterilization or it accepts a Devon EZ Handle™ without requiring an awkward adapter. The lighthouse is made with a color molded, lightweight polymer resulting in a very lightweight lighthouse which is easy to position. The optical system is powered by a 12 VAC, 100 Watt bulb.

The arm assemblies (suspension system) have been precisely designed, assembled, and balanced so that the lighthouse can be positioned with minimal force with no drifting occurring. In addition, the three pivots with 540° or 580° of rotation make the positioning of the lighthouse easy and flexible.

## SPECIFICATIONS

See Table 1 for specifications on the 355 Lighting System.

### Model 355 Light

<b>Beam diameter @</b>	
<b>91.4 cm (36 in.):</b>	20.3 cm (8 in.) (defined by 20% of peak illumination)
<b>Bulb:</b>	(Qty: 1) - 12 VAC, 100 W halogen bulb
<b>Color temperature:</b>	3,200K
<b>Diameter of lighthouse:</b>	43.2 cm (17 in.)
<b>Focal length:</b>	91.4 cm (36 in.)
<b>Illumination @ 91.4 cm (36 in.):</b>	43,000 lux / 4,000 fc
<b>Electrical requirement:</b>	220, 230, or 240 VAC, 50 / 60 HZ, 0.7 amps, single phase
<b>Power to lights:</b>	11.2 VAC, 8.5 amps
<b>Reach of arm assemblies:</b>	122 cm (48 in.) maximum from centerline of down tube to center of lighthouse.
<b>Rotation of lamp tube:</b>	540° rotation at cross tube connection
<b>Rotation of cross tube:</b>	580° rotation at down tube connection
<b>Vertical range of cross tube:</b>	-35° to +35° vertical movement
<b>Rotation of down tube:</b>	580° rotation at ceiling plate connection
<b>Weight of 2.44 m (8 ft.) single light assembly:</b>	24.5 kg (54.0 lbs)
<b>Weight of 2.74 m (9 ft.) single light assembly:</b>	24.9 kg (55.0 lbs)



- (3) Remove one/two down tube assembly (2) and inspect.
- (4) Remove one/two cotton bag(s) (3) and inventory contents; the following items should be included:
  - 3a. Four #10-24 x 3/4" socket cap screws
  - 3b. Two/four #10-24 x 3/8" black oxide button head screws
  - 3c. One/two #8-32 x 3/8" phillips head screw
  - 3d. Six/twelve 3/8"-16 hex nuts
  - 3e. Three/six 3/8" lockwashers
  - 3f. One/two 100 Watt Halogen bulb
  - 3g. Five/ten yellow wire nuts
  - 3h. Two/four grey wire nuts
  - 3i. One/two cable ties
  - 3j. One/two housing cap
  - 3k. One/two #10-24 x 5/8" zinc plated button head screws
- (5) Remove one ceiling plate assembly (4) and inspect.
- (6) Remove one/two sterilizable handle(s) and inspect.
- (7) Remove one ceiling cover (6) and inspect.

## CEILING SUPPORT STRUCTURE INSTALLATION

### Weights:

- 2.44 m (8 ft.) Single 355 Lighting System (less customer supplied ceiling structure): .....24.5 kgs (54 lbs)
- 2.74 m (9 ft.) Single 355 Lighting System (less customer supplied ceiling structure): .....24.9 kgs (55 lbs)
- 2.44 m (8 ft.) Dual 355 Lighting System (less customer supplied ceiling structure): .....45.3 kgs (100 lbs)
- 2.74 m (9 ft.) Dual 355 Lighting System (less customer supplied ceiling structure): .....46.3 kgs (102 lbs)

### Torques:

- 2.44 m (8 ft.) Single 355 Lighting System: ..... 92.1 N•m (68 ft-lbs)
- 2.74 m (9 ft.) Single 355 Lighting System: ..... 92.5 N•m (68.2 ft-lbs)
- 2.44 m (8 ft.) Dual 355 Lighting System: ..... 180.3 N•m (133 ft-lbs)
- 2.74 m (9 ft.) Dual 355 Lighting System: ..... 183.0 N•m (135 ft-lbs)

### **NOTE**

The illustrations in Figure 3 are for suggestion only. Midmark does not supply ceiling structures. Consult a structural engineer for the best solution for your situation.

The 355 lighting system requires a sturdy ceiling support structure to support the weight and the dynamic torque which will be applied to the support structure (See Figure 3).

The ceiling support structure must be strong enough to uphold the weight of the system and support rotating suspension tubes and Lighthouse(s) without deflection.

The 355 lighting system is engineered for ease of movement during positioning. The suspension assemblies and lighthouse(s) will rotate with a minimum of force, provided the ceiling plate assembly is level and stays level. If, however, the ceiling support is weak and flexes, the weakness will have a negative impact on the operation of the tube assemblies during positioning. If the ceiling support structure flexes too much, the lighthouse(s) will drift to the lowest point. Although the arms are equipped with brakes to prevent drift, the undesirable side effect of stiffer braking, is that the arm assemblies / lighthouse(s) will be harder to move. For a set of tube assemblies to rotate without drift and a minimum amount of force, the ceiling plate assembly must not be allowed to deflect more than 1.58 mm (1/16 in.) over a 30.5 cm (12 in.) distance. The ceiling plate must be level and stay level when the tube assemblies are rotated in every position and all worst case scenarios (example: two sets of tube assemblies on one side). This means that the ceiling support structure must be braced in multiple directions.

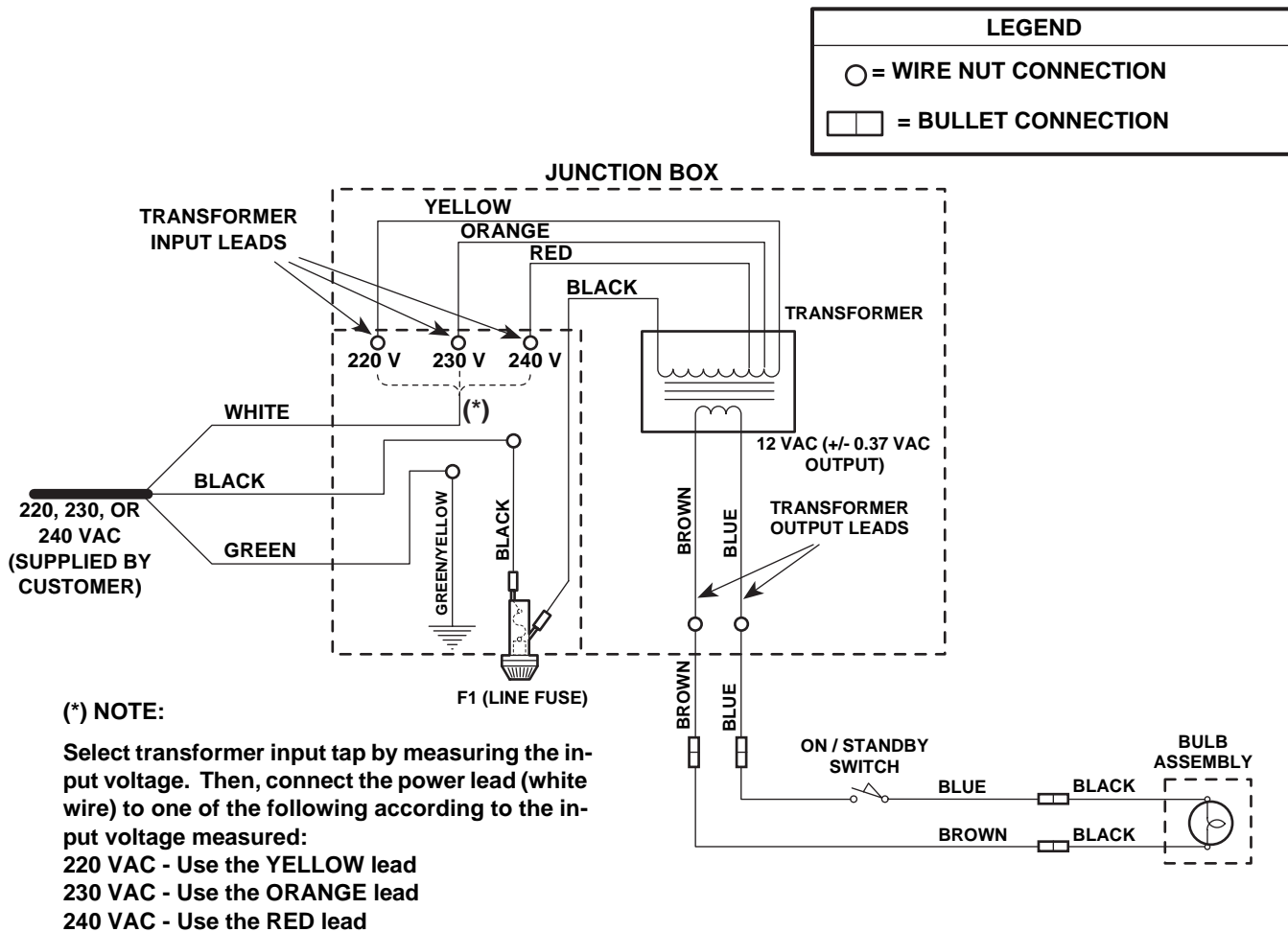
The 355 lighting system comes in two different versions: a 2.44 m (8 ft.) version for a 2.44 m (8 ft.) ceiling and a 2.74 m (9 ft.) version for a 2.74 m (9 ft.) ceiling. The bottom of the ceiling plate assembly must be installed so it is flush with the finished surface of the facility's ceiling. See Figure 3. The ceiling cover is designed to fit up against the finished ceiling.

## ELECTROMAGNETIC INTERFERENCE

This product is designed and built to minimize electromagnetic interference with other devices. However, if interference is noticed between another device and this product, remove the interfering device from the room or wire this product into an isolated circuit.







**Figure 4. Wiring Diagram**

- (2) Loosen, but do not remove, four screws (1, Figure 6); then lift up on box cover (2) and remove box cover from junction box (3).
- (3) Install conduit fitting (customer supplied) in the desired knockout(s) of the junction box (3).
- (4) Feed the facility supplied wiring through the knockout(s) in the junction box (3).
- (5) Turn on facility power breaker so there *is* power in customer supplied wiring.
- (6) Using a multimeter, measure the input voltage between black power lead and white neutral lead of customer supplied wiring. Record this voltage. See Figure 4.

**WARNING**  
 Make sure the facility supplied wiring is not shorted to the junction box and does not touch wires during steps 5 and 6. Failure to do so could result in electrical shock, causing serious personal injury or death.

**WARNING**  
 Make sure the power to the facility supplied wiring is turned “off” for the following step. Failure to do so could result in electrical shock, causing serious personal injury or death.

- (7) Turn “off” facility power breaker so there *is no* power in customer supplied wiring.
- (8) If voltage measured in step 6 was 225.0 VAC or lower, connect the white neutral lead of customer supplied wiring to the yellow transformer input lead using one of the Midmark supplied yellow

wire nuts (see Figure 4).

If voltage measured in step 6 was between 225.1 and 235.0 VAC, connect the white neutral lead of customer supplied wiring to the orange transformer input lead using one of the Midmark supplied yellow wire nuts (see Figure 4).

If voltage measured in step 6 was 235.1 VAC or higher, connect the white neutral lead of customer supplied wiring to the red transformer input lead using one of the Midmark supplied yellow wire nuts (see Figure 4).

- (9) Connect the black power wire from customer supplied wiring to the black wire in the junction box using one of the Midmark supplied yellow wire nuts.
- (10) Connect the green/yellow earth ground wire from customer supplied wiring to the green/yellow wire in the junction box using one of the Midmark supplied yellow wire nuts.
- (11) Screw one Midmark supplied grey wire nut on each of the two unused transformer input taps.



### CAUTION

Failure to properly connect and insulate wires in junction box could result in a short or electrical shock to personnel.

- Always use a strain relief (conduit fitting) between facility wiring and the junction box.
- Always wire nut all wires inside junction box.
- Always wrap and secure wire nuts with electrical tape.
- Always connect the earth ground wires inside the junction box.

- (12) Wrap and secure all wire nuts with electrical tape.
- (13) If light system is a dual light, repeat steps 1 through 12 for the remaining junction box.

### NOTE

It is especially important to perform steps 14 and 15 now if the ceiling is a drywall/plastered ceiling; these steps will not be able to be performed later.

- (14) Feed brown and blue transformer output wires out of wire hole (7, Figure 6) in bottom of junction box.
- (15) Position box cover (2) on junction box (3) and secure by tightening four screws (1).

## CEILING PLATE ASSEMBLY INSTALLATION

### NOTE

The following step describes one typical way of mounting the ceiling plate assembly. However, this method may not work for all installations; if not, use the following procedure for guidance only.

- (1) Install four 1/2" nuts (1, Figure 5) on four all-thread bolts (2) (not supplied) as far as possible.
- (2) Install ceiling plate assembly (3) on four all-thread bolts (2) and secure with four 1/2" lockwashers (4) and 1/2" nuts (5).

### NOTE

For the following step, make sure nuts (1) **are not** contacting the ceiling plate assembly (3). Otherwise, leveling of ceiling plate assembly with nuts (5) will not be possible.

- (3) Adjust four nuts (5) until bottom of ceiling plate assembly (3) is flush with surface of ceiling.



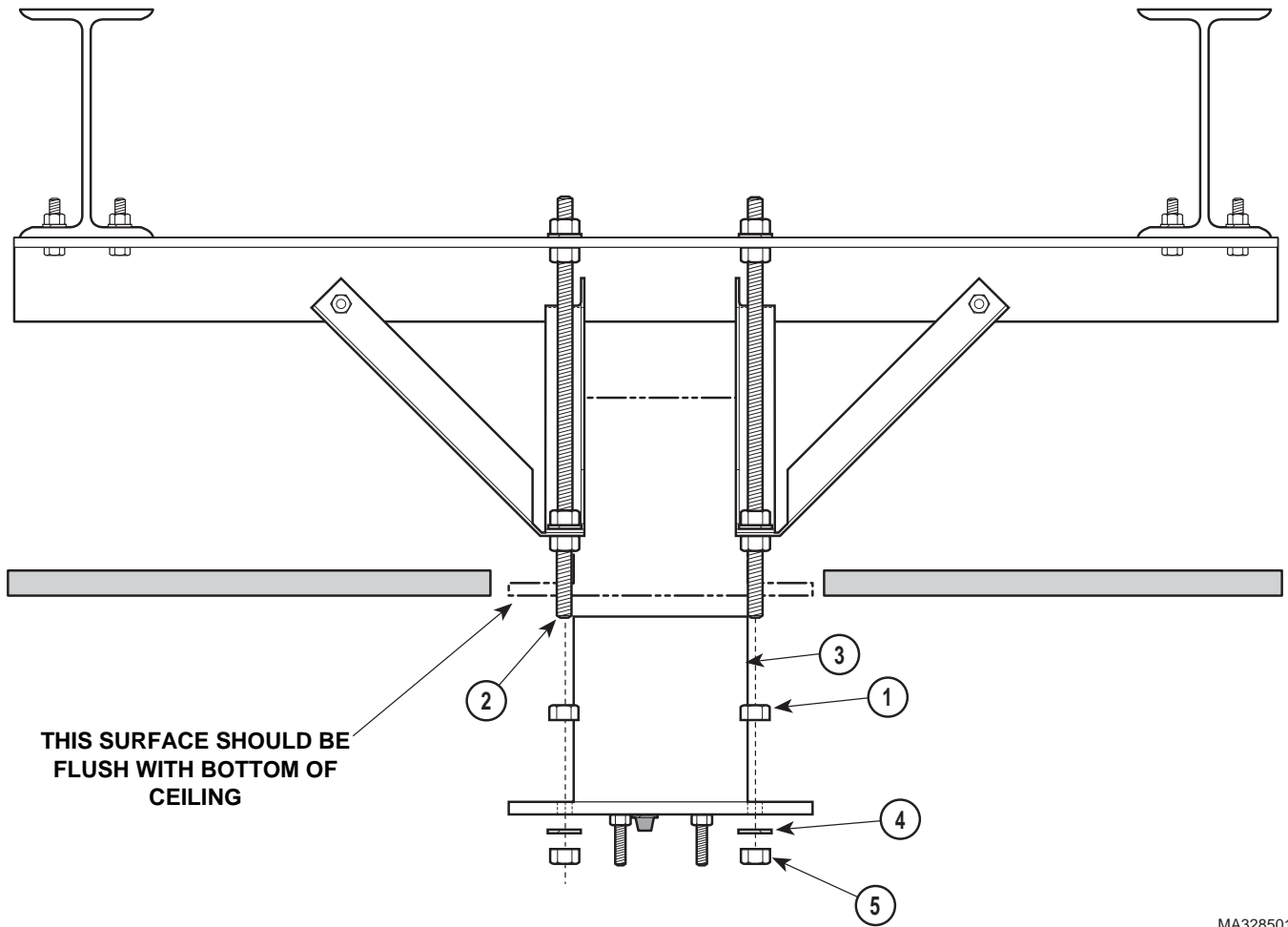
### WARNING

Failure to install nuts (5) so that there are at least two full threads visible below nuts, could result in unit falling.

- (4) Use a level to check the levelness of ceiling plate assembly (3) in all directions. Adjust four nuts (5) as necessary until the ceiling plate assembly (3) is level in all directions and flush with surface of ceiling.
- (5) Tighten nuts (1) against ceiling plate assembly (3); then recheck levelness of ceiling plate and readjust if necessary.

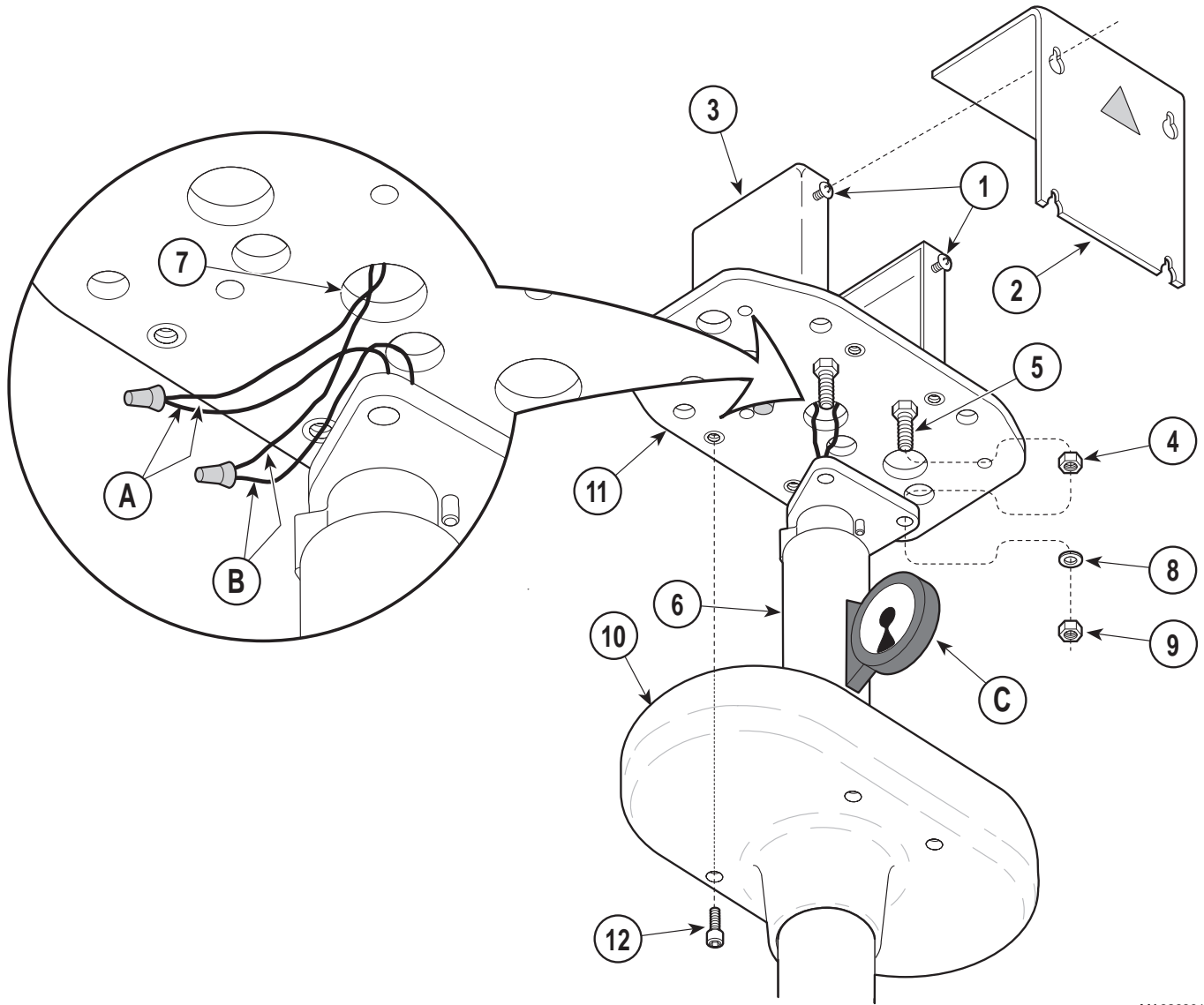
## DOWN TUBE INSTALLATION

- (1) Thread three 3/8" x 16 hex nuts (4, Figure 6) (supplied) onto three bolts (5) until they are handtight; then back off each nut one full turn.
- (2) Position down tube (6) near wire hole (7).
- (3) Connect brown wire (A) from junction box (3) to brown wire (A) from down tube (6) using one of the supplied yellow wire nuts.



MA328501

Figure 5. Suggested Ceiling Plate Assembly Installation




MA326801

**Figure 6. Down Tube Installation**

- (4) Connect blue wire (B) from junction box (3) to blue wire (B) from down tube (6) using one of the supplied yellow wire nuts.
- (5) Wrap and secure both wire nuts with electrical tape.

- (6) Install down tube (6) on three bolts (5) and secure with three 3/8" lockwashers (8) and 3/8" x 16 hex nuts (9) (supplied).



**WARNING**  
 Failure to install nuts (9) so that there are at least two full threads visible below nuts, could result in unit falling.

- (7) Under normal circumstances, the down tube (6) should be level enough to provide drift-free operation. If, after complete assembly and operation of the light system, drifting is observed, use a protractor or level (C) to adjust nuts (9) until down tube (6) is vertical ( $\pm 0.5^\circ$ ); then tighten nuts (4).
- (8) If light system is a dual light, repeat steps 1 through 7 for remaining down tube (6).
- (9) Slide ceiling cover (10) onto down tube(s) (6).
- (10) Attach ceiling cover (10) to ceiling plate (11) with four #10-24 x 3/4" screws (12) (supplied).

## CROSS TUBE ASSEMBLY INSTALLATION

- (1) Slide ball pivot sleeve (1, Figure 7) onto down tube (2), making sure screw hole in sleeve is towards the bottom.
- (2) With ball pivot sleeve (1) positioned as high as possible on down tube (2), pull blue and brown wires (6) through top window (A) of down tube.

### NOTE

There are three screw holes in cross tube (3); two of the holes are larger and have a coarser thread. Use these two holes to secure cross tube assembly with screws (5). The other hole is for securing ball pivot sleeve.

- (3) Align three screw holes; then insert pivot shaft of cross tube assembly (3) into down tube (2). Secure cross tube assembly in position with two #10-24 x 3/8" black oxide button head screws (5).
- (4) Feed two wires (4) through top window (A) of down tube (2).
- (5) Connect brown wire (4) to brown wire (6) and blue wire (4) to blue wire (6). Push wires into top window (A).
- (6) Slide ball pivot sleeve (1) down into position and secure with one #8-32 x 3/8" phillips head screw (7).

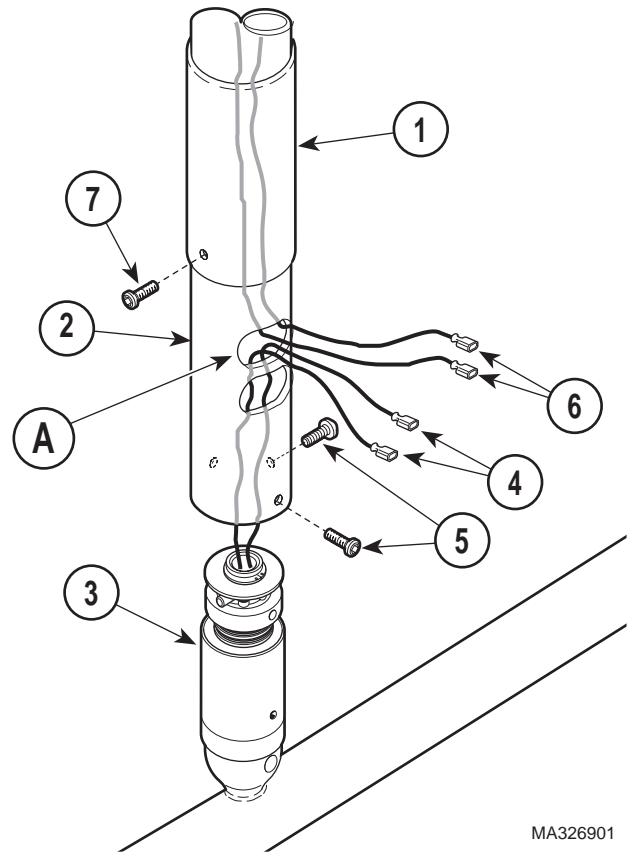


Figure 7. Cross Tube Assembly Installation

## BULB INSTALLATION

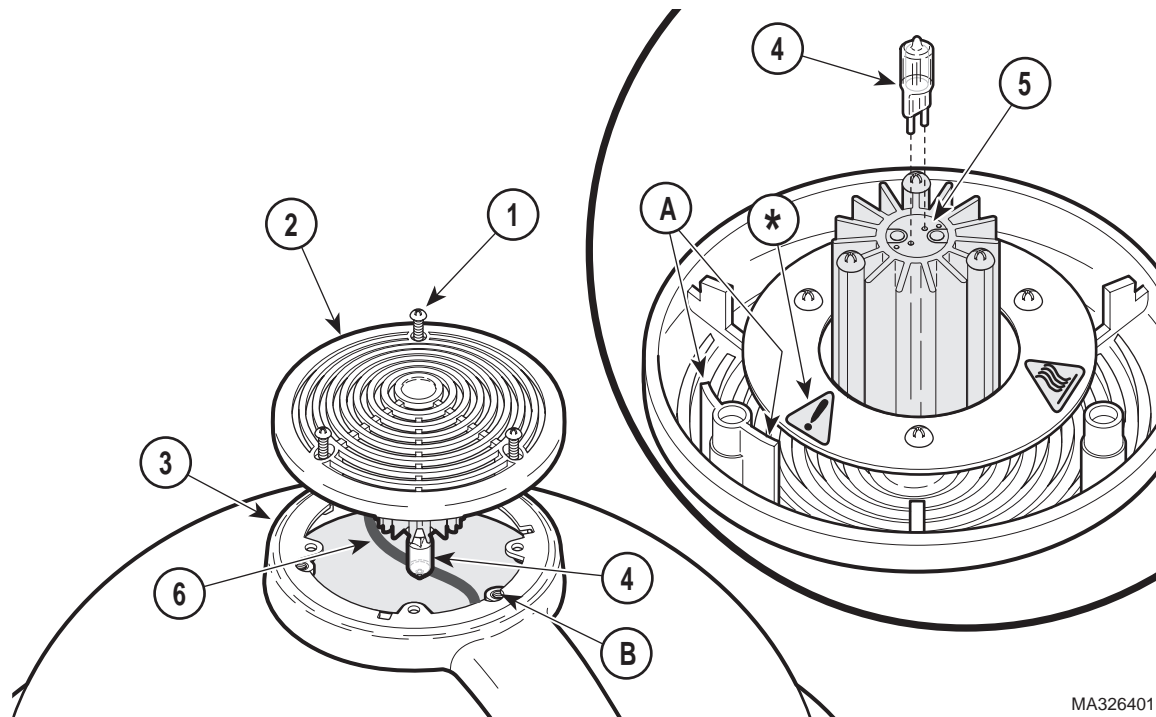
### NOTE

Screws (1) are captive screws. Only loosen captive screws; do not try to remove them.

- (1) Loosen three captive screws (1, Figure 8) and separate top cap (2) from support arm pivot (3).
- (2) Remove packing material from inside of lighthead.


### NOTE

Halogen bulbs are sensitive to body oils. Be sure not to touch the glass portion of the bulb during relamping or cleaning. Body oils create a hot spot on the bulb and may cause the bulb to burn out prematurely. If the glass portion of the bulb is handled, wipe with a clean, soft, lint free cloth. Wipe with alcohol and pat dry.



MA326401

Figure 8. Bulb Installation

**WARNING (\*)**  

**The maximum allowable bulb wattage which can be used in this light is 100 Watts. There is a risk of equipment damage if 100 Watt limit is exceeded. Use Midmark P/N: 015-1045-00.**

- (3) Using a cotton glove or similar clean cloth, grasp the new bulb (4) (supplied) and insert the bulb into the bulb socket (5). Push the bulb in until its prongs bottom out; there should be approximately 1/16 in. (1.6 mm) gap between bulb socket and glass base of bulb. Forcing the bulb in further will cause damage.

**NOTE**

The top cap is keyed which allows it only to be installed in one position.

- (4) Align the key (A) of the top cap (2) with key hole (B) in support arm pivot (3). Then, secure top cap (2) on support arm pivot (3) by tightening three captive screws (1). Make sure wiring (6) is tucked up above the light block as much as possible and does not hang down into path of light.

**HOUSING CAP INSTALLATION**

- (1) Install housing cap (2, figure 11) on ballast housing (3) and secure with screw (1).

**OPERATIONAL TEST**

- (1) Turn ON / STANDBY switch (1, Figure 9) to ON "I"
- (2) Observe. The light should illuminate.
- (3) Position the light 91.4 cm (36 in.) from the table and aim the light at the table.
- (4) Observe. There should be an evenly distributed circular pattern of bright light (A), approximately 20.3 cm (8 in.) in diameter, on the table surface.
- (5) Rotate the lighthouse (2), lamp tube (3), cross tube (4), and down tube (5) through their range of motions as shown on the illustration (See Figure 9). Release the lighthouse at different positions.
- (6) Observe. The lighthouse should be able to be positioned easily through the entire range of its motion. When the lighthouse is released in any position, no drifting should occur at any axis.
- (7) If any problems are discovered, refer to the troubleshooting guide for adjustment and repair tips.

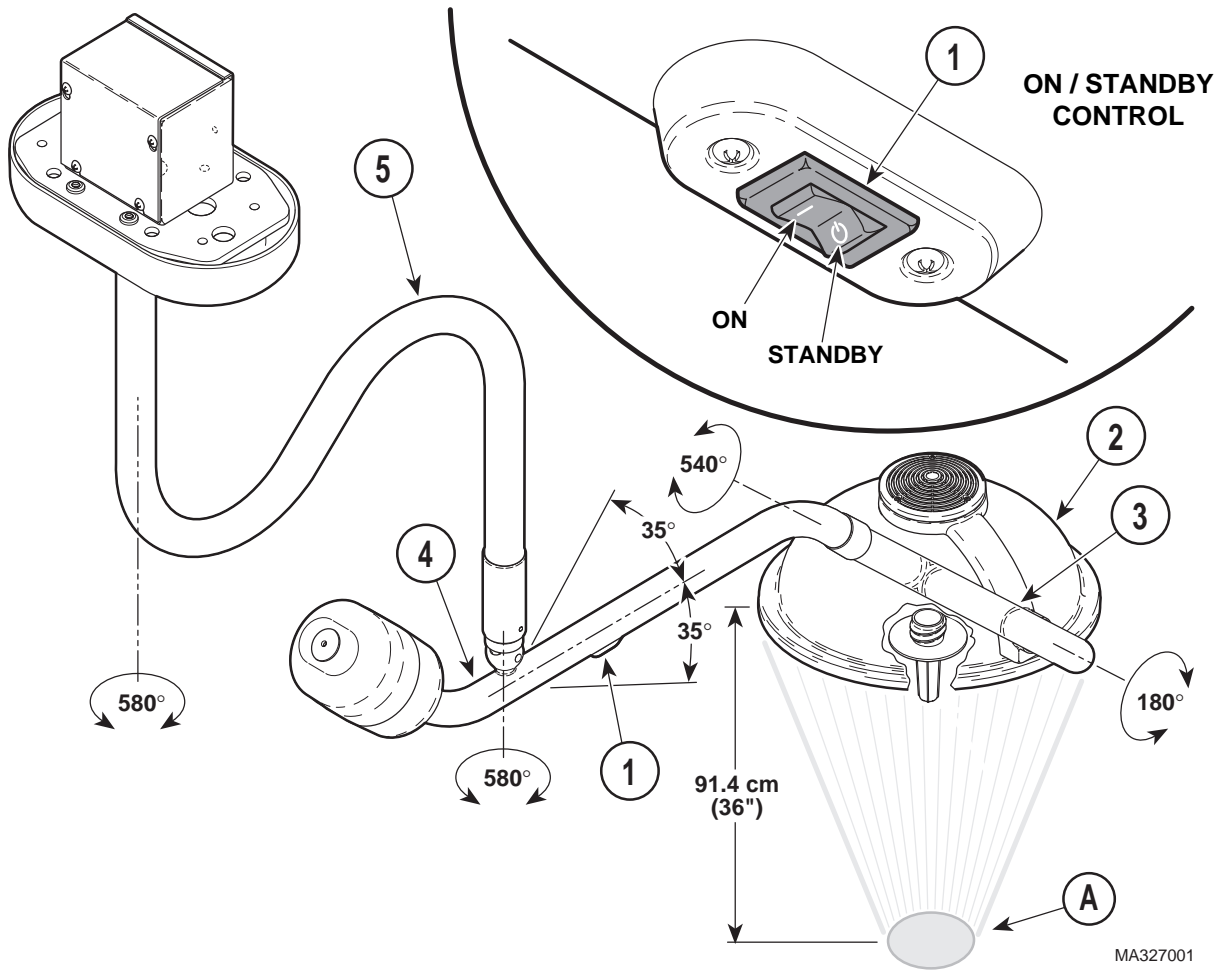


Figure 9. Operational Test

MA327001

## TROUBLESHOOTING

### TROUBLESHOOTING GUIDE

If any problems are discovered during the installation

process, refer to the following table (Table 1) to determine the cause of the problem.

Table 1. Troubleshooting Guide

PROBLEM	POSSIBLE CAUSE	SOLUTION
no light from lighthouse	<i>lighthouse is on STANDBY "⏻"</i>	turn ON / STANDBY switch to ON "⏻"
no light from lighthouse, but ON / STANDBY switch is ON "⏻"	<i>bulb has burned out or has not been installed</i>	refer to bulb replacement procedure in this manual
	<i>fuse in junction box is blown</i>	inspect / replace the fuse located inside the ceiling cover
	<i>no power to the junction box</i>	check for facility power to the junction box
	<i>transformer is malfunctioning</i>	check for 12 VAC output from transformer

**Table 1. Troubleshooting Guide - Continued**

no light from lighthouse although the bulb and fuse were checked; lighthouse flashes intermittently when lighthouse or arms are moved	<i>circuit or wiring problem within arm assemblies, junction box, or other part of lighting system</i>	check all wiring connections. If problem cannot be repaired, call Midmark Technical Support: 1-800-Midmark.
down tube does not rotate freely or drifts when released in desired position	<i>improper installation of ceiling plate (deflects too much or is not level)</i>	check for excessive flexing of ceiling support structure and / or check if ceiling plate is level. Readjust as necessary.
lamp tube does not rotate freely or drifts when released in desired position	<i>brake tension needs adjusted</i>	call Midmark Technical Support: 1-800-Midmark
cross tube rotates (at ball pivot joint) too stiffly or drifts when released in desired position	<i>ball pivot joint tension needs to be adjusted or cross tube counterbalance needs adjusted</i>	refer to ball pivot joint tension adjustment procedure in this manual. If proper tension cannot be achieved, refer to cross tube counterbalance adjustment procedure in this manual and then repeat main pivot joint tension adjustment. If problem cannot be repaired, call Midmark Technical Support: 1-800-Midmark
lighthouse does not rotate freely at lamp tube or drifts when released in desired position	<i>brake needs adjustment</i>	call Midmark Technical Support: 1-800-Midmark

## **ADJUSTMENTS**

### **BALL PIVOT TENSION ADJUSTMENT**

- (1) Remove screw (1, Figure 10) and slide ball pivot sleeve (2) up out of way.
- (2) Rotate cross tube (3) until adjustment hole (4) appears in the adjustment window opening.

#### **NOTE**

There are three settings which the ball pivot cam (5) can be set for: light tension, medium tension, or stiff tension (see Figure 10). These settings may be changed according to the operator's preference.

- (3) Insert screwdriver into adjustment hole (4). Then, using the screwdriver, rotate ball pivot cam (5) to the desired tension setting.
- (4) Remove the screwdriver and move the cross tube (3) about the ball pivot joint in a circular motion and up and down motion to ensure the setting is the one desired. Move the cross tube (3) to a horizontal position and release it. The cross tube should not drift in any direction. If it does, a higher tension setting is required. Repeat steps 3 and 4 until the desired tension adjustment is achieved with no drifting of the cross tube. If a satisfactory

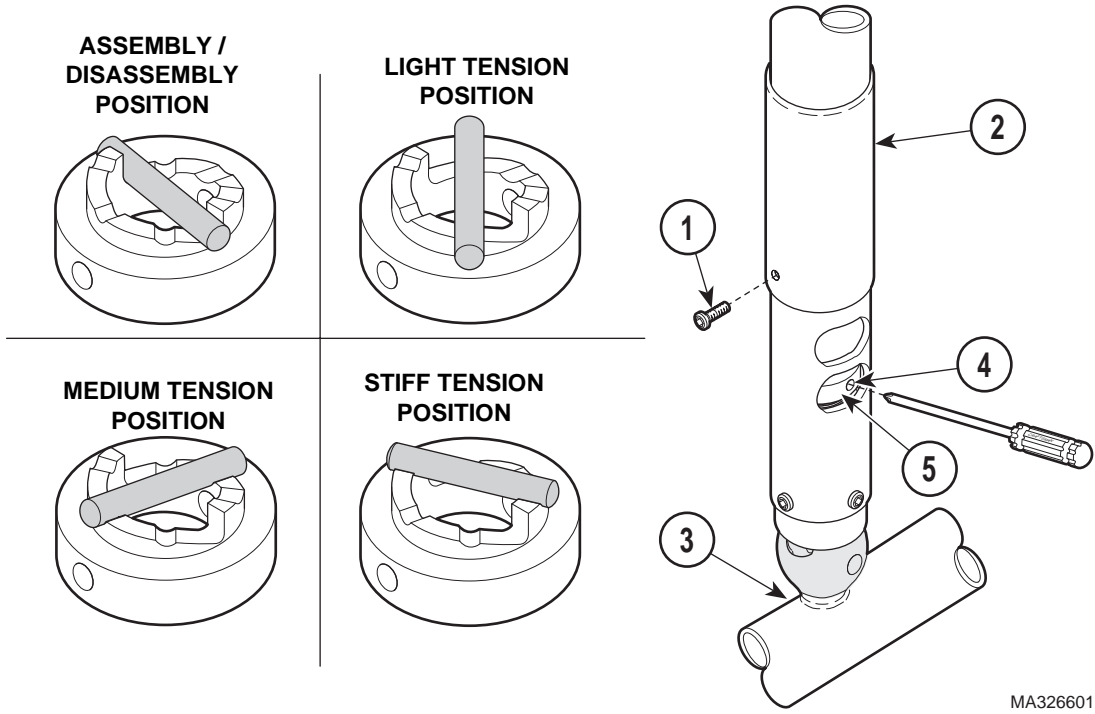
tension adjustment cannot be achieved, perform the cross tube counterbalance adjustment procedure and then repeat the ball pivot joint tension adjustment procedure.

- (5) Slide ball pivot sleeve (2) down into position and secure with screw (1).

### **CROSS TUBE COUNTERBALANCE ADJUSTMENT**

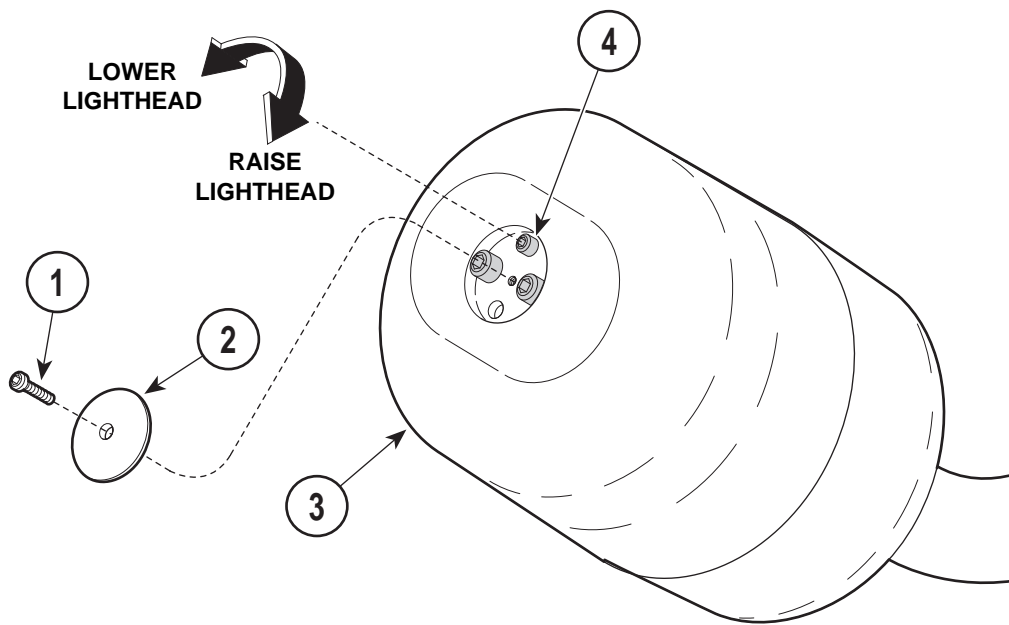
- (1) Remove screw (1, Figure 11) and slide ball pivot sleeve (2) up out of way.
- (2) Rotate cross tube (3) until adjustment hole (4) appears in the adjustment window opening.
- (3) Insert screwdriver into adjustment hole (4). Then, using the screwdriver, rotate ball pivot cam (5) to the assembly / disassembly setting. Remove screwdriver.





MA326601

Figure 10. Ball Pivot Joint Tension Adjustment



MA326701

Figure 11. Cross Tube Counterbalance Adjustment

- (4) Remove screw (1, Figure 11) and housing cap (2) from ballast housing (3).

#### **NOTE**

One way to determine if the cross tube is balanced properly is to raise the cross tube above horizontal, release it, and observe where it stops. Then, lower the cross tube below horizontal plane, release it, and observe where it stops. The cross tube should return to the horizontal position and remain there; if it does, the cross tube counterbalance is adjusted properly.

Turning screw (4) in clockwise direction will raise the lighthouse end of cross tube. Turning screw (4) in counterclockwise direction will lower the lighthouse end of cross tube.

- (5) Adjust screw (4) until cross tube (5) balances in a horizontal position.
- (6) Install housing cap (2) on ballast housing (3) and secure with screw (1).

#### **NOTE**

It is recommended that you start with the light setting and then proceed to the medium or stiff setting only if necessary to prevent drifting.

- (7) Insert screwdriver into adjustment hole (4, Figure 10). Then, using the screwdriver, rotate ball pivot cam (5) to the light, medium, or stiff setting as desired by the operator(s). Remove screwdriver.
- (8) Slide ball pivot sleeve (2) down into position and secure with screw (1).

## **CALLING FOR SERVICE**

If you are having a problem or have a question, refer to the inside front cover of this manual and call your dealer. Make sure that you have the information that is highlighted on the inside front cover of this manual available. If you can't resolve your question or problem with your dealer, call the following number:

1-800-Midmark (1-800-643-6275) or 937-526-3662  
8:00 a.m. until 5:00 p.m. (Eastern  
Standard Time in U.S.)

Monday through Friday, except for  
standard U.S. holidays.

## **LIMITED WARRANTY**

### **SCOPE OF WARRANTY**

Midmark Corporation ("Midmark") warrants to the original purchaser its new Alternate Care products and components (except for components not warranted under "Exclusions") manufactured by Midmark to be free from defects in material and workmanship under normal use and service. Midmark's obligation under this warranty is limited to the repair or replacement, at Midmark's option, of the parts or the products the defects of which are reported to Midmark within the applicable warranty period and which, upon examination by Midmark, prove to be defective.

### **APPLICABLE WARRANTY PERIOD**

The applicable warranty period, measured from the date of delivery to the original user, shall be one (1) year for all warranted products and components.

### **EXCLUSIONS**

This warranty does not cover and Midmark shall not be liable for the following: (1) repairs and replacements because of misuse, abuse, negligence, alteration, accident, freight damage, or tampering; (2) products which are not installed, used, and properly cleaned as required in the Midmark "Installation" and or "Installation / Operation Manual for this applicable product. (3) products considered to be of a consumable nature; (4) accessories or parts not manufactured by Midmark; (5) charges by anyone for adjustments, repairs, replacement parts, installation, or other work performed upon or in connection with such products which is not expressly authorized in writing in advance by Midmark.

### **EXCLUSIVE REMEDY**

Midmark's only obligation under this warranty is the repair or replacement of defective parts. Midmark shall not be liable for any direct, special, indirect, incidental, exemplary, or consequential damages or delay, including, but not limited to, damages for loss of profits or loss of use.

**NO AUTHORIZATION**

No person or firm is authorized to create for Midmark any other obligation or liability in connection with the products.

**THIS WARRANTY IS MIDMARK'S ONLY WARRANTY AND IS IN LIEU OF ALL OTHER WARRANTIES, EXPRESS OR IMPLIED. MIDMARK MAKES NO IMPLIED WARRANTIES OF ANY KIND INCLUDING ANY WARRANTIES OF MERCHANTABILITY OR FITNESS FOR ANY PARTICULAR PURPOSE. THIS WARRANTY IS LIMITED TO THE REPAIR OR REPLACEMENT OF DEFECTIVE PARTS.**

SF-1487 REV. A1

[Return To Table Of Contents](#)

**MIDMARK<sup>®</sup>**

Midmark Corporation, Versailles, Ohio 45380 U.S.A.  
937-526-3662 FAX: 937-526-5542