

# Installation Instructions

Model 9A240 Exam Light  
Used on Model 391 Otolaryngology Chair

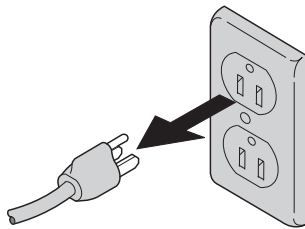
## KIT COMPONENTS

Part Number	Description	Qty.
	Light Arm Assembly .....	1
053-0789-01	Bushing, split snap .....	1
040-0010-66	Screw, #10-24 x 1" .....	3
041-0010-02	Nut, nyloc #10-24 .....	3
015-1236-00	Light Bulb (12 VAC, 20 Watt) .....	1
003-0892-00	Installation Instructions .....	1

## REQUIRED TOOLS

3/8" open-end / box-end wrench  
1/8" Allen Wrench

1

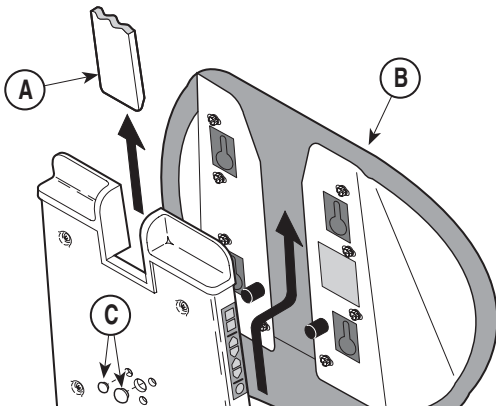


MA42000a



**DANGER**  
Unplug chair from electrical outlet.

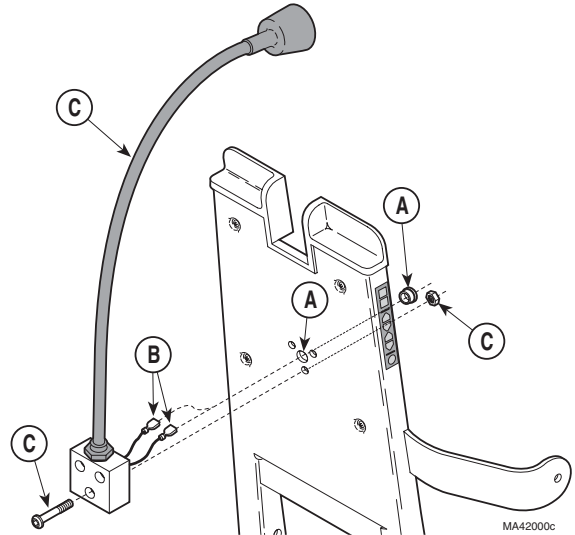
2



MA42000b

- A. Elevate headrest.
- B. Remove backrest upholstery section.
- C. Remove four cap plugs.

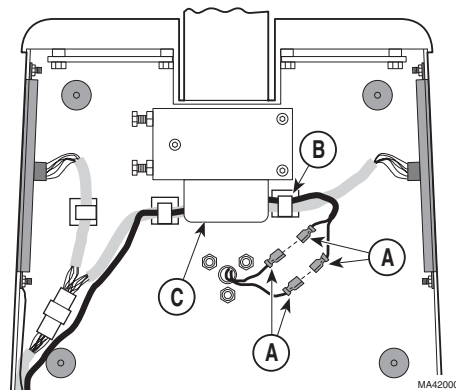
3



MA42000c

- A. Insert electrical leads through access hole.
- B. Insert split snap bushing in access hole.
- C. Secure light arm assembly to backrest with three screws and nuts.

4



MA42000d

- A. Connect light electrical leads to chair leads.

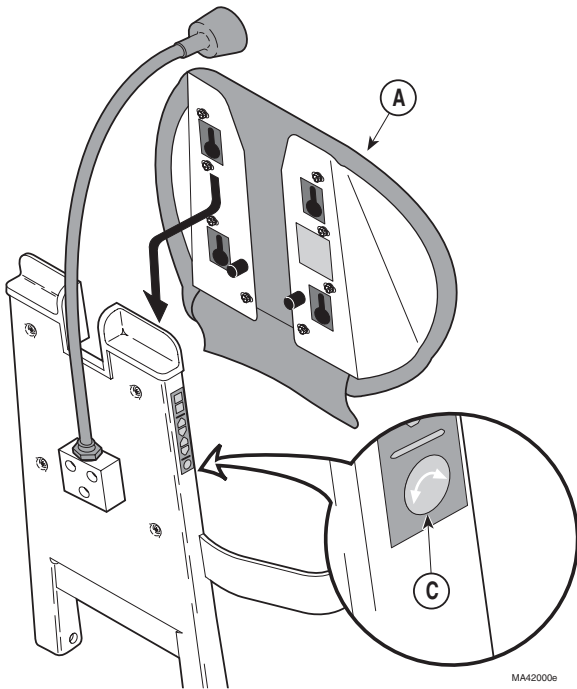


**DANGER**  
Assure electrical leads are positioned securely in wire clips, out of the way of headrest weldment. Failure to do so could result in electrical shock.

- B. Secure electrical leads in wire clips.
- C. Check to assure electrical leads **do not** contact headrest weldment when headrest is moved up and down.

Continued →

5



- A. Install backrest upholstery section.
- B. Plug table back in.
- C. Depress light switch to assure light operates.
- D. Clean chair and check operation.

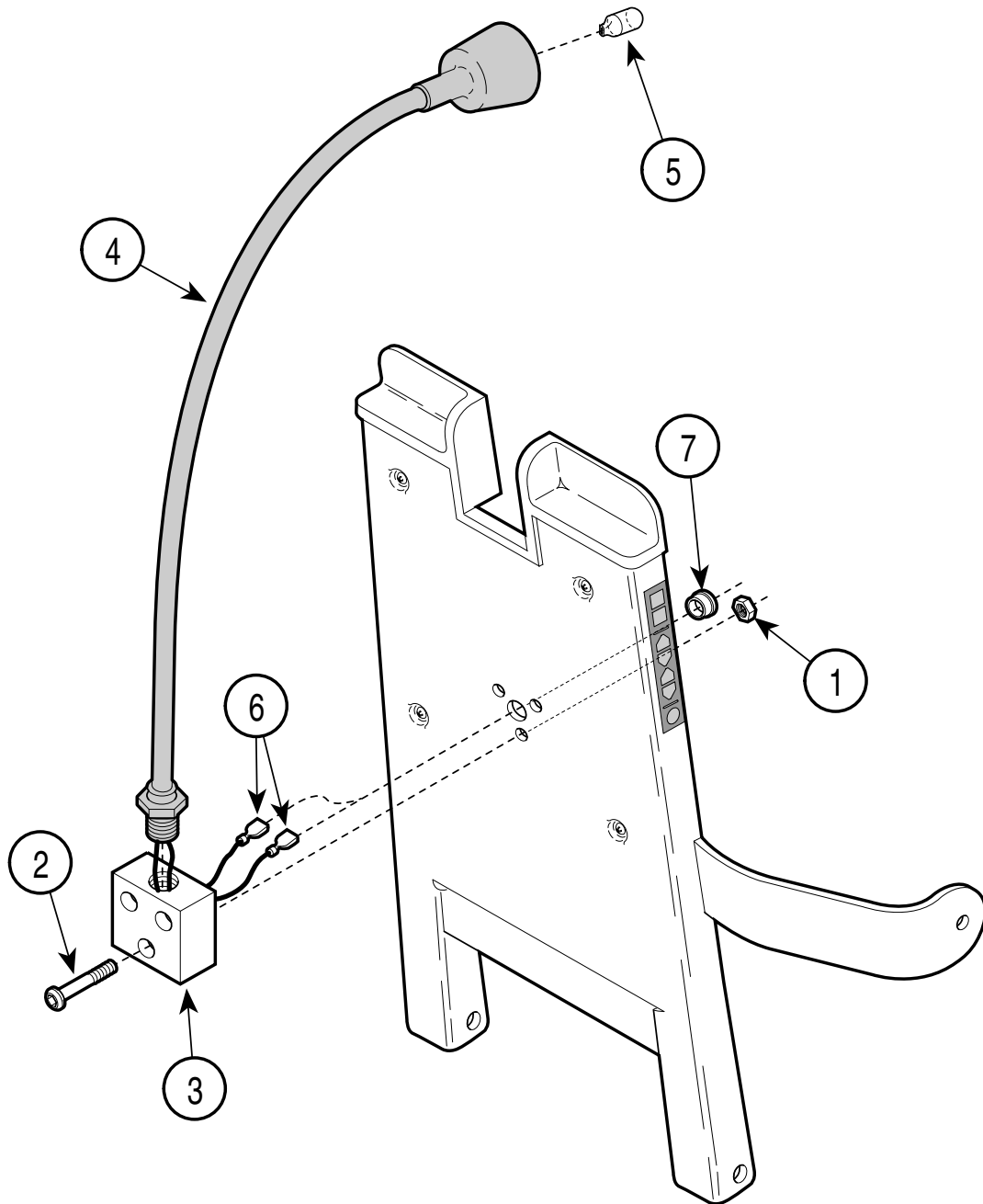
**MIDMARK®**

Midmark Corporation, Versailles, Ohio 45380 U.S.A.  
(937) 526-3662 FAX (937) 526-5542

003-0892-00 Rev. C (6/08)

# Light Assembly

Order   
 Medical and  
 Animal Health  
 Parts Online



MA443400

Item	Part No.	Description	Qty	Item	Part No.	Description	Qty
	9A240001	27 in. Light Accessory (includes items 1 thru 8) .....	1	4	• 015-1202-00	• 27 in. Exam Light (includes bulb) .....	1
	9A240002	34 in. Light Accessory (includes items 1 thru 8) .....	1	5	• 015-1202-01	• 34 in. Exam Light (includes bulb) .....	1
				6	• 015-1236-00	• Bulb .....	1
				7	• 015-0315-13	• Terminal .....	2
1	• 041-0010-02	• Hex Nut .....	3	8	• 053-0789-01	• Split Snap Bushing .....	1
2	• 040-0010-66	• Screw .....	3		• 003-0892-00	• Installation Instructions .....	1
3	• 051-0847-00	• ENT Light Bracket .....	1				

Always Specify Model & Serial Number