

## RECOMMENDED TOOLS

- Screwdriver with phillips head (cordless optional)
- Level
- Tape measure
- Stud Finder
- Hammer drill w/ 1/4" bit for masonry anchor (for installations on masonry walls)

## RECOMMENDED FASTENERS (NOT SUPPLIED)

### Stud Walls (Standard)

Use #12 x 2" long round head wood screws (course threaded). The screws must be driven into the wall studs or backing. It may be necessary to use washers to keep the head of the screws from pulling through the holes in the hanging bracket. (Use sheet metal screws for steel studded walls). In studded walls where backing is not provided, it will be necessary to use 3/16" short mollies, or other types of commercial expansion fasteners.

### Hollow Tile or Masonry Walls

Use 1/4" machine screw expansion anchors of adequate length. A 3/16" short molly or other type of expansion fastener may be used if the installers predrill the hole.

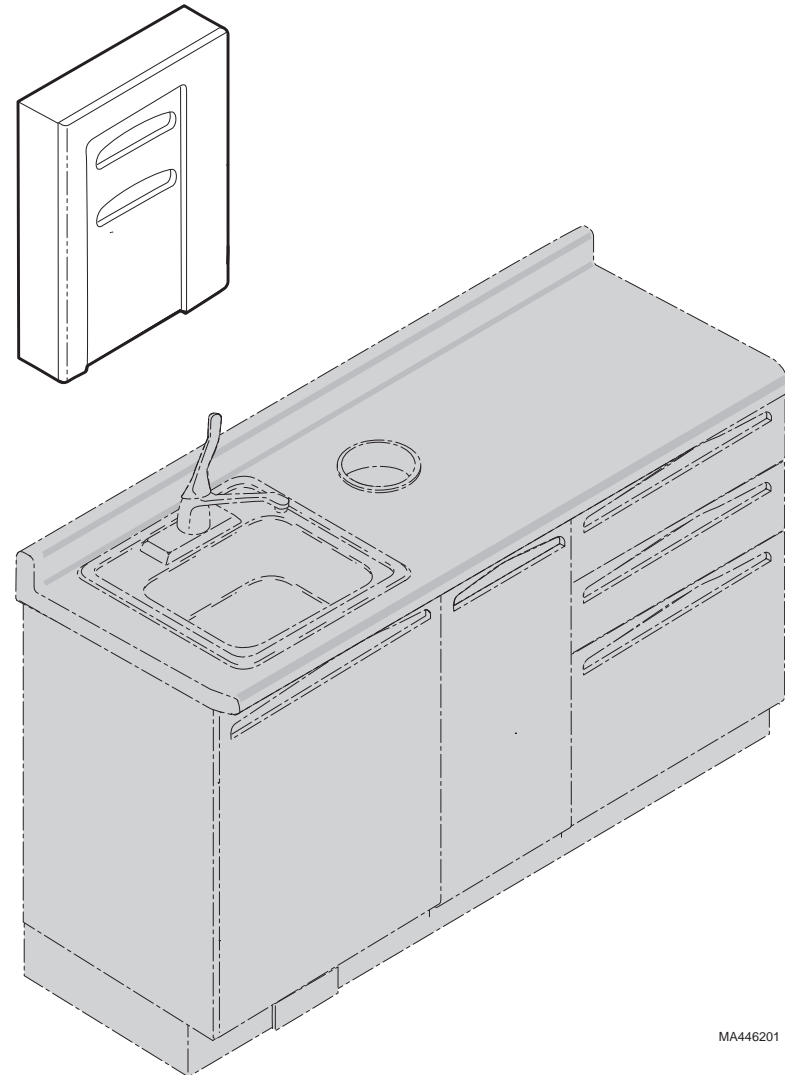
### Rough Solid Concrete or Brick Wall

Use #12 round head wood screws or a specialized masonry fastener.

# ***Installation Instructions***

## ***For Models:***

### ***DK-ADS001 (Glove / Towel / Cup Dispenser)***

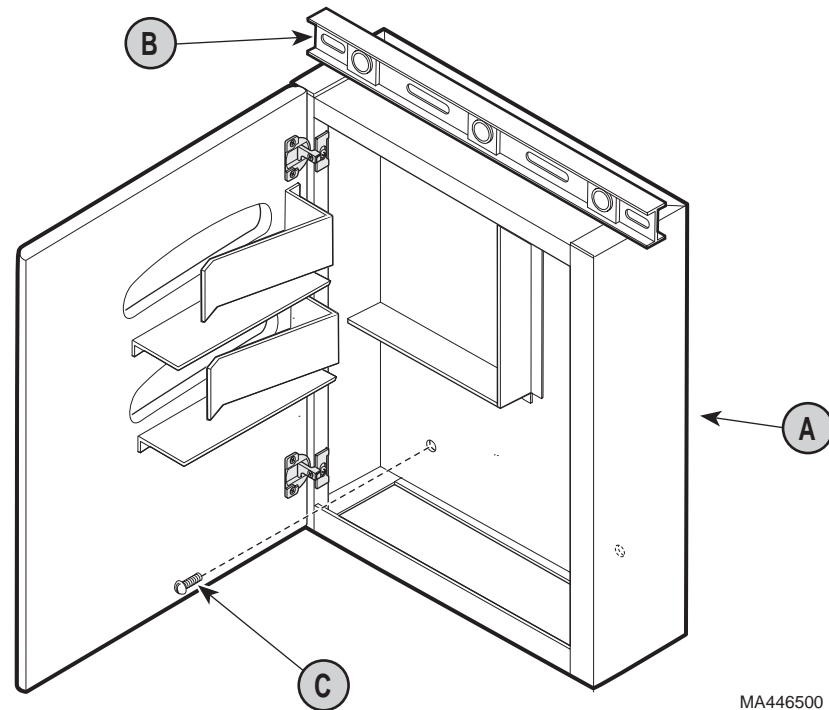


## DISPENSER CABINET INSTALLATION

### NOTE:

The recommended position of the dispenser is centered on wall above sink and faucet with bottom of dispenser 18 in. (45.7 cm) above countertop.

- A - Determine where dispenser cabinet will be located.
- B - Position dispenser cabinet in desired position on wall and then level the cabinet.
- C - Secure dispenser cabinet to wall with four fasteners (not supplied - see cover page for recommended fasteners).

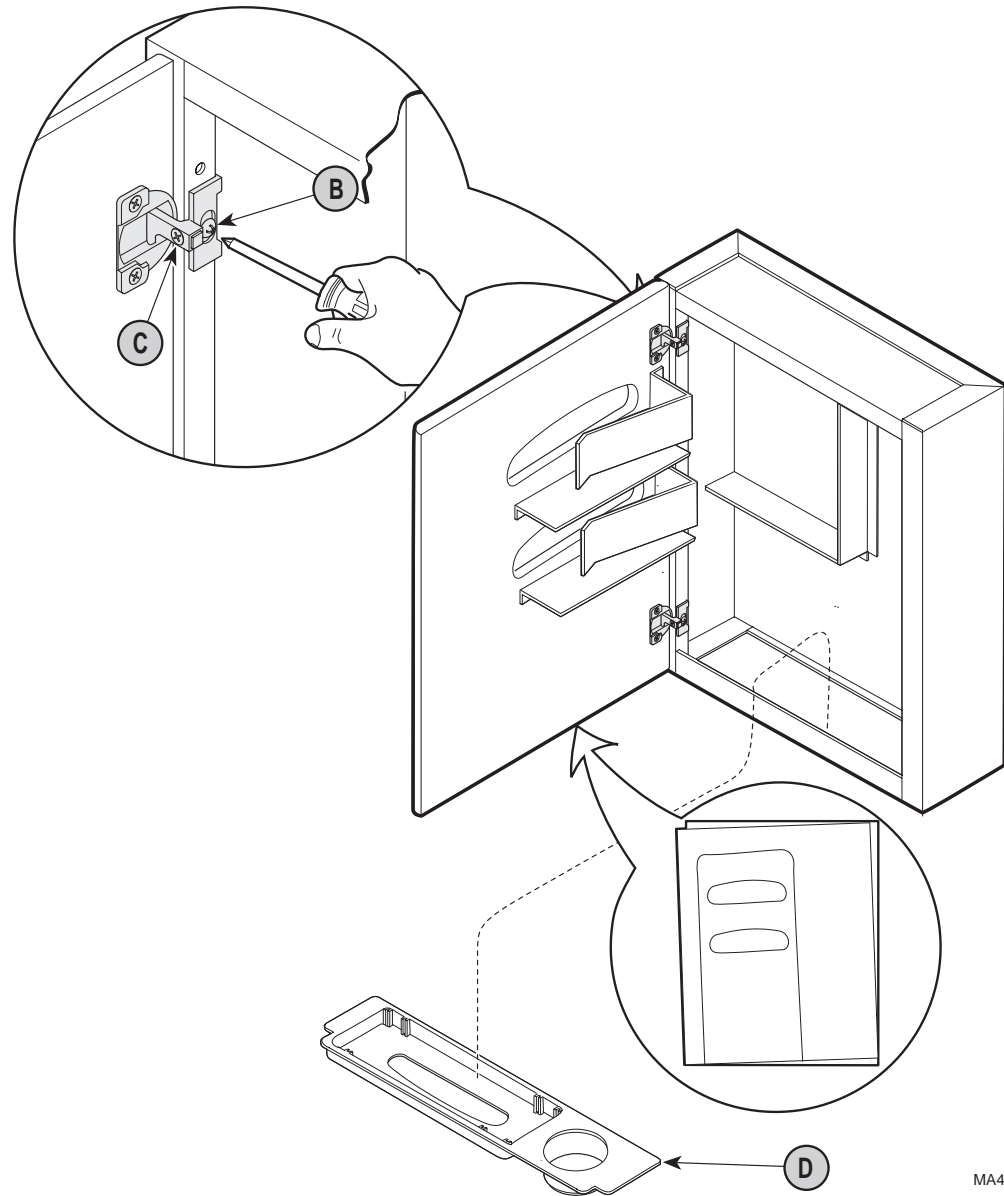


MA446500

**Figure 1**

### DISPENSER CABINET DOORS ADJUSTMENT AND DISPENSER TRAY INSTALLATION.

- A - Check to see if door needs adjusted vertically or horizontally.
- B - Adjust door vertically (door should be even with bottom of cabinet frame) by loosening screws (B) on both hinges of door. After adjusting, retighten screws.
- C - Adjust door horizontally (so door doesn't have too large of a gap between edge of door and edge of cabinet frame) by loosening screws (C) on both hinges of door. After adjusting, retighten screws.
- D - Install dispenser tray into bottom of dispenser cabinet by pressing tray firmly into place.

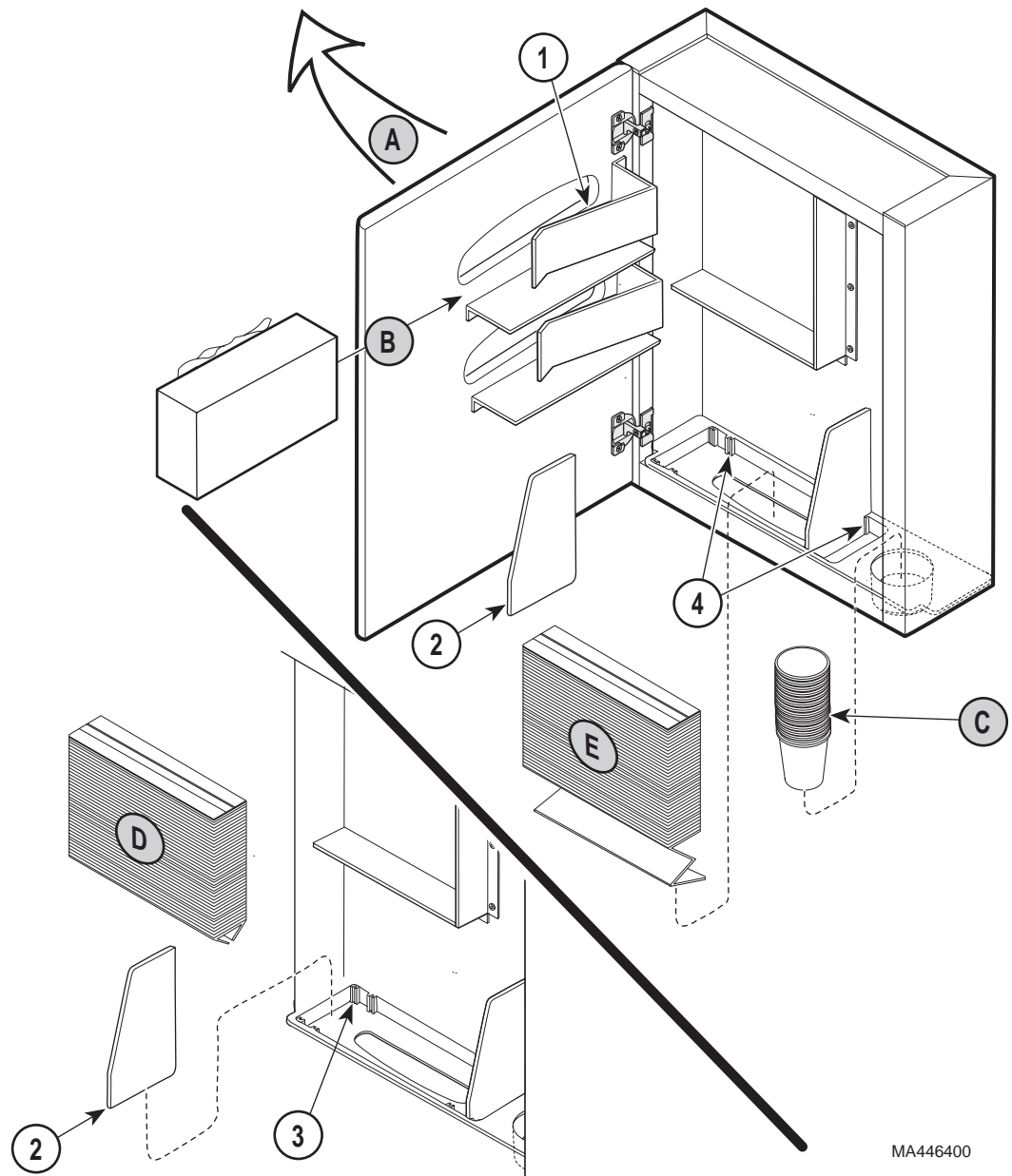


MA446301

**Figure 2**

## DISPENSER CABINET USE

- A - Open dispenser cabinet door to gain access to refill gloves, towels, or cups.
- B - **To refill an empty glove box**, simply remove empty glove box and insert a new glove dispenser container in the empty slot. The retaining clip (1) provides spring tension to hold any size glove box in place.
- C - **To refill an empty cup dispenser**, simply insert a stacked column of standard 5 ounce cups into the cup dispenser.
- D - **To refill an empty towel dispenser with "C" style towels**, install dividers (2) into outside slots (3). Then, place a stack of "C" style towels face down into towel dispenser.
- E - **To refill an empty towel dispenser with "Z" style towels**, install dividers (2) into inside slots (4). Then, place a stack of "Z" style towels face down into towel dispenser.



MA446400

Figure 3



## KNIGHT DENTAL CASEWORK LIMITED WARRANTY

### Extension of Warranty:

Midmark® Corporation ("Midmark") warrants to the original purchaser its Knight Dental Casework, manufactured by Midmark, to be free from defects in material and workmanship under normal interior use and service. Midmark's obligation under this warranty is limited to the repair or replacement, at Midmark's option, of the parts or the products the defects of which are reported to Midmark within the applicable warranty period and which upon examination by Midmark prove to be defective.

### Applicable Warranty Period

The applicable warranty period, measured from the date of delivery to the original user, shall be as follows:

- (a) Five (5) years for all products and components (except for the shorter periods in (b and c)), including plastic laminate top surfaces, door and drawer fronts, castors, and electrical components such as task lights and cords.
- (b) Three (3) years for task light ballast.
- (c) One (1) year for plastic laminate top surfaces and accessories.

### Exclusions

Midmark's warranty does not cover sinks, faucets, and plumbing accessories. Any warranties on these items are extended directly by the manufacturer of these items to the original purchaser. Information on these manufacturers' warranties will be enclosed with the applicable products. Also, Midmark will furnish copies of any of the warranties extended by any such manufacturers upon request.

This warranty does not cover and Midmark shall not be liable for: (1) repairs and replacements required because of misuse, abuse, negligence, alteration, accident, freight damage, or tampering; (2) matching of color, grain, or texture except to commercially acceptable standards; (3) changes in color caused by natural or artificial light; (4) products which are not installed, used, and properly cleaned as required in Midmark's written Installation Manual; (5) specially manufactured products; (6) products considered to be of a consumable nature such as light bulbs and surge suppression product; (7) accessories or parts not manufactured by Midmark; (8) charges by anyone (including Midmark's authorized Knight Dental Casework dealers) for adjustments, repairs, replacement parts, installation, or other work performed upon or in connection with such products which is not expressly authorized in writing in advance by Midmark.

### Exclusive Remedy

Midmark's only obligation under this warranty is the repair or replacement of defective parts. Midmark shall not be liable for any direct, special, indirect, incidental, exemplary, or consequential damages or delay.

### No Authorization

No person or firm is authorized to create for Midmark any other obligation or liability in connection with the products.

THIS WARRANTY IS MIDMARK'S ONLY WARRANTY AND IS IN LIEU OF ALL OTHER WARRANTIES, EXPRESS OR IMPLIED. MIDMARK MAKES NO IMPLIED WARRANTIES OF ANY KIND INCLUDING ANY WARRANTIES OF MERCHANTABILITY OR FITNESS FOR ANY PARTICULAR PURPOSE. THIS WARRANTY IS LIMITED TO THE REPAIR OR REPLACEMENT OF DEFECTIVE PARTS.



by MIDMARK®

---

**MIDMARK®**

Midmark Corporation, Versailles, Ohio 45380 U.S.A.  
(937) 526-3662 FAX (937) 526-5542