

9A51001 FACIAL PAD ASSEMBLY

KIT COMPONENTS

Part Number	Description	Qty.
028-0078-xxx	Facial Pad.....	1
053-0131-15	Velcro	1
003-0933-00	Installation Instructions.....	1

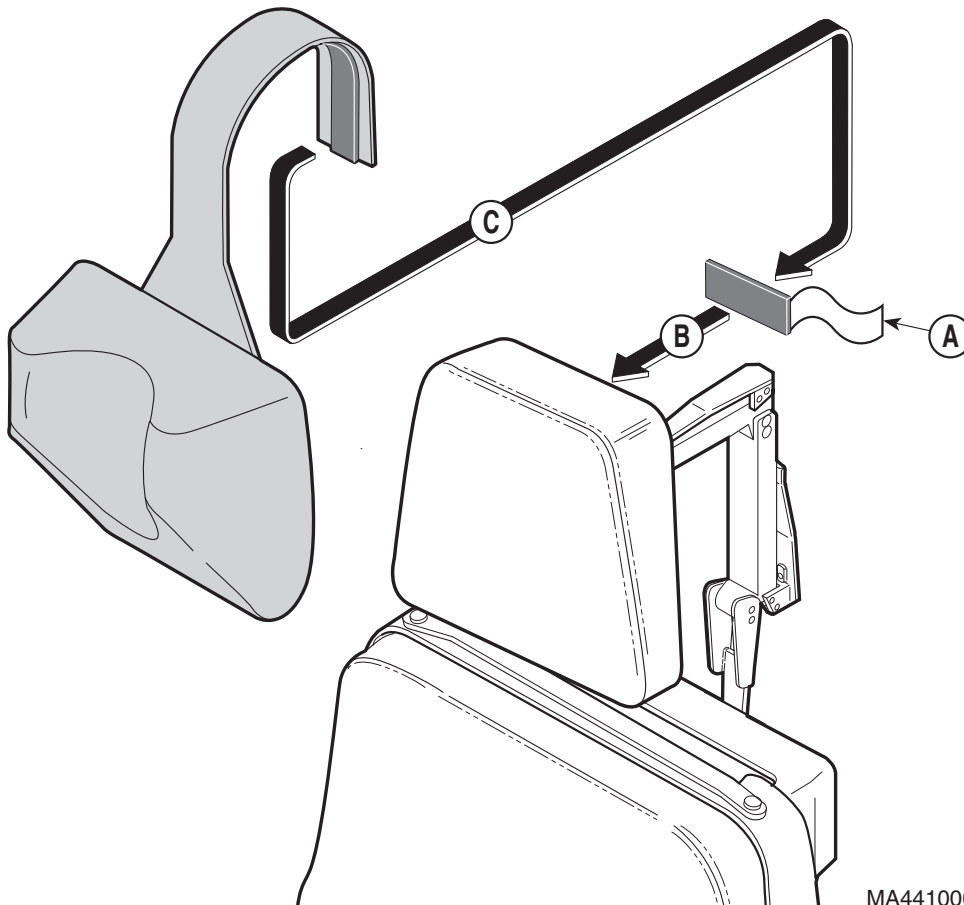
REQUIRED TOOLS

None

INTRODUCTION

To provide stability for head during examinations / procedures. Used with standard headrest and on 9A199-00X special procedures headrest.

1



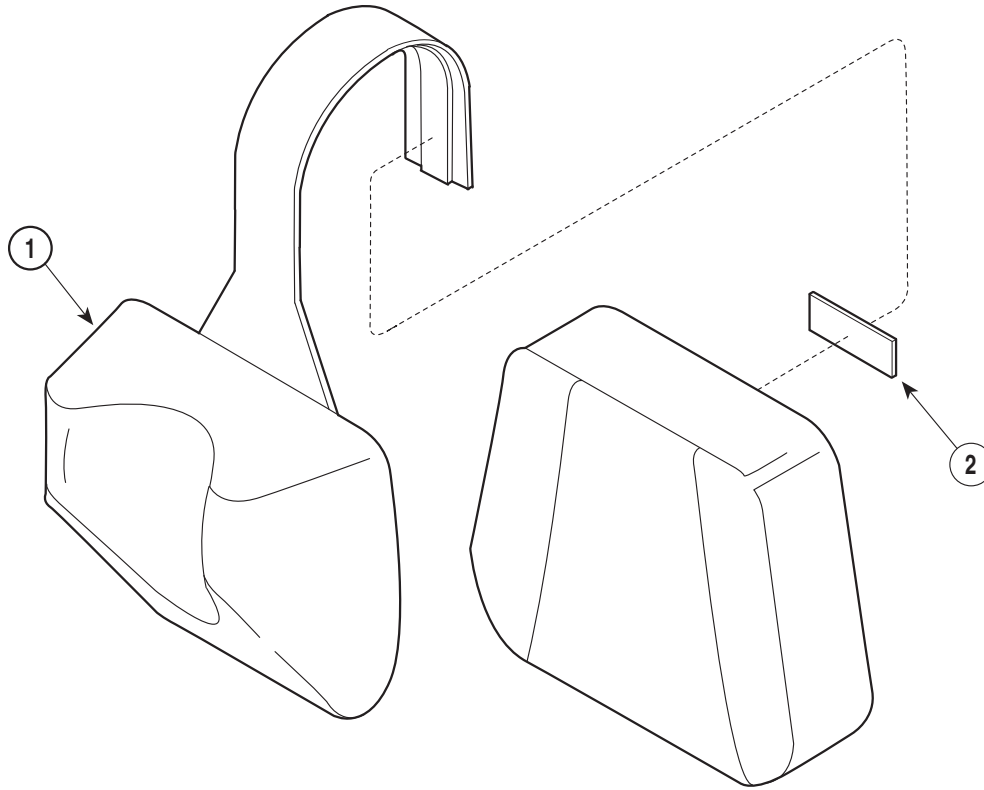
NOTE

Clean back of existing headrest before applying velcro strip

- A. Remove cover from back of velcro strip.
- B. Secure strip on center, back of headrest approximately 1 inch. (2.54 cm) down from top of headrest.
- C. Place Pad in desired position; then press velcro of Pad to velcro strip on back of headrest.

Facial Pad

Order 
 Medical and
 Animal Health
 Parts Online



MA222200

Item	Part No.	Description	Qty.	Item	Part No.	Description	Qty.
	9A51001-xxx	Facial Pad Assembly (Includes Items 1 and 2).....	1	1	•028-0078-xxx	• Facial Pad.....	1
				2	•053-0131-15	• Velcro	2

Always Specify Model & Serial Number