

002-0239-00 RESET BUTTON KIT FOR M7 STERILIZER

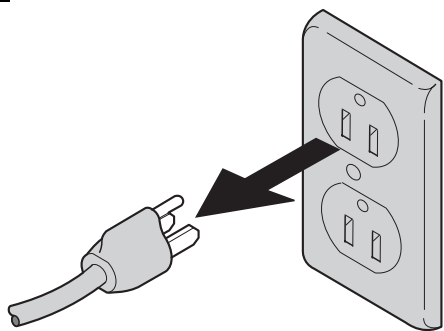
KIT COMPONENTS

Part Number	Description	Qty.
057-0520-00	Reset Rod	1
053-1035-00	Reset Button.....	1
003-0942-00	Installation Instructions.....	1

REQUIRED TOOLS

- Drill Bit (1/8")
- Power hand drill
- Phillips Screwdriver
- Locking Pliers or vise

1



MA42000a



DANGER

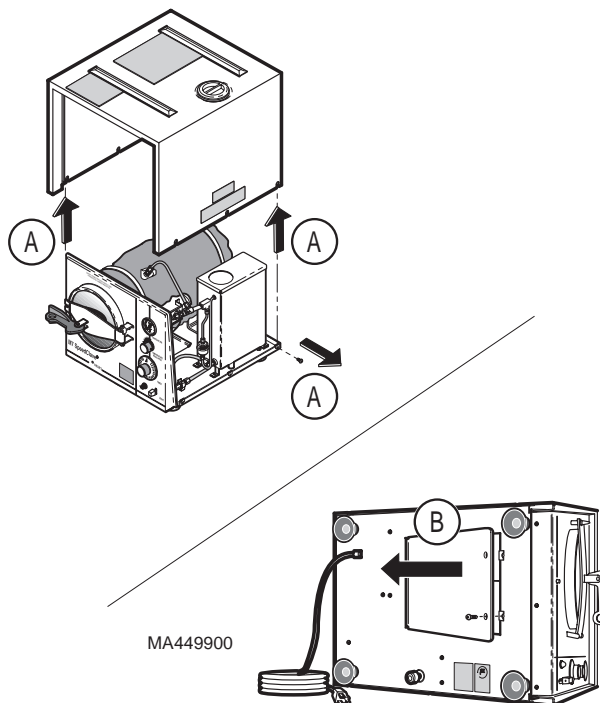
Unplug sterilizer from electrical outlet. Allow unit to cool before performing service functions. Failure to comply may result in personal injury and/or death.

NOTE

This Reset Button Kit is used on earlier M7 Sterilizers with the following serial numbers:

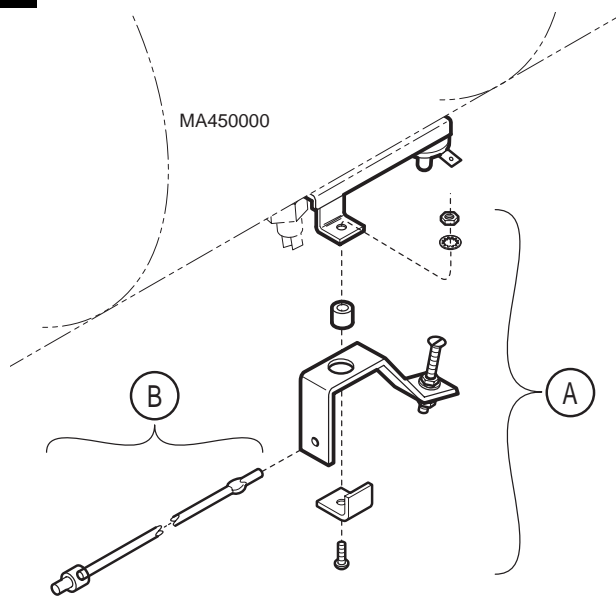
CP1000-1091 CR1000-CR1259 CS1000-3488
 RB1000-11004 DR1000-1014

2



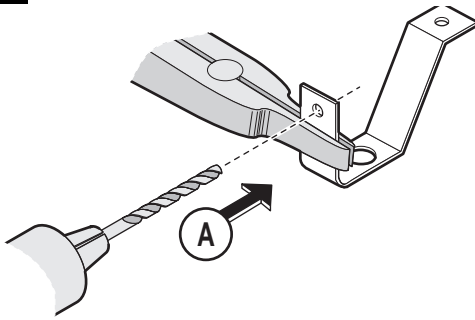
- A. Drain water from unit and remove cover.
- B. Lay unit on side and remove inspection cover.

3



- A. Remove mounting screw, washer, nut, rocker bracket, spacer and L-shaped bracket.
- B. Remove old rod and reset button.

4



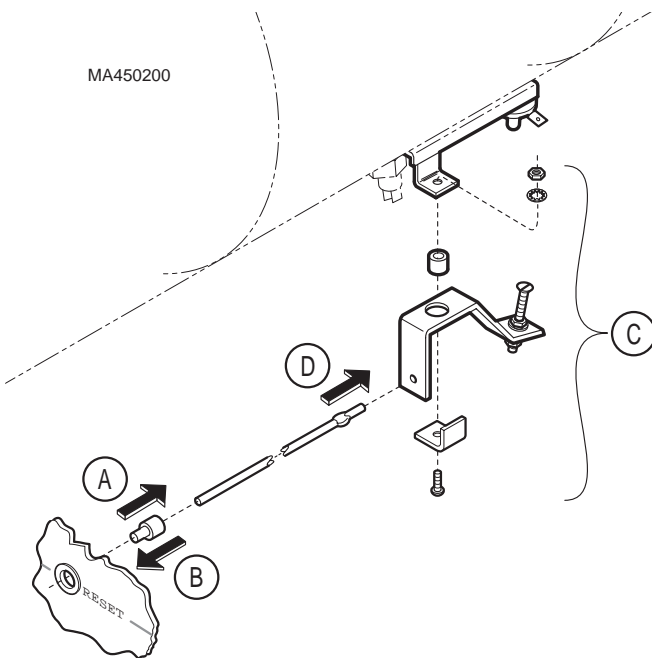
MA450100

**CAUTION**

Place rocker bracket in a locking pliers or vise when drilling. Failure to comply could result in personal injury.

- A. Secure rocker bracket then; enlarge rod hole using 1/8" drill bit.

5



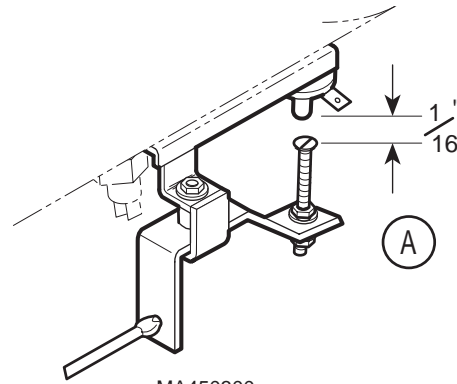
MA450200

NOTE

Reset button is positioned on opposite end from crimped end of reset rod.

- A. Install reset button on reset rod.
 B. Insert button end of rod into reset button guide.
 C. Install L-shaped bracket, rocker bracket and spacer then *loosely* install screw, lockwasher and nut.
 D. Insert end of reset rod into hole of rocker bracket and then; tighten screw, lockwasher, nut then; install inspection cover.

6



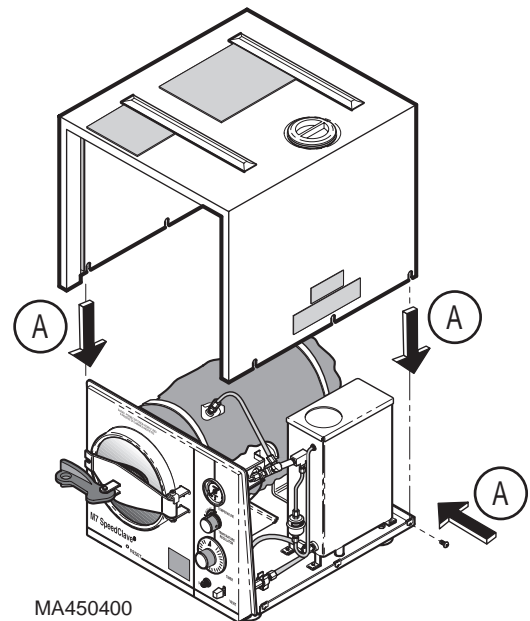
MA450300

**EQUIPMENT ALERT**

Distance between head of adjustment screw and reset button on overload thermostat must be approximately 1/16" with reset button, on front of cabinet, not being depressed. Failure to comply may result in overload not operating correctly causing equipment failure.

- A. Place unit in upright position and check distance between head of adjustment screw and reset button on temperature overload protector. If necessary, readjust screw.

7



MA450400

**EQUIPMENT ALERT**

Operate unit to assure overload thermostat operates correctly.

- A. Place water in reservoir, install cover, plug unit into wall outlet and check operation.

MIDMARK®

Midmark Corporation, Versailles, Ohio 45380 U.S.A.
 (937) 526-3662 FAX (937) 526-5542

003-0942-00 Rev. C (9/99)