

RECOMMENDED TOOLS

- Screwdriver with phillips head (cordless optional)
- Level
- Tape measure
- 1/4" socket (6 point) with ratchet
- Caulking gun
- Belt sander
- Stud Finder
- Hammer drill w/ 1/4" bit for masonry anchor (for installations on masonry walls)

RECOMMENDED FASTENERS (NOT SUPPLIED)

Stud Walls (Standard)

Use #12 x 2" long round head wood screws (course threaded). The screws must be driven into the wall studs or backing. It may be necessary to use washers to keep the head of the screws from pulling through the holes in the hanging bracket. (Use sheet metal screws for steel studded walls). In studded walls where backing is not provided, it will be necessary to use 3/16" short mollies, or other types of commercial expansion fasteners.

Hollow Tile or Masonry Walls

Use 1/4" machine screw expansion anchors of adequate length. A 3/16" short molly or other type of expansion fastener may be used if the installers predrill the hole.

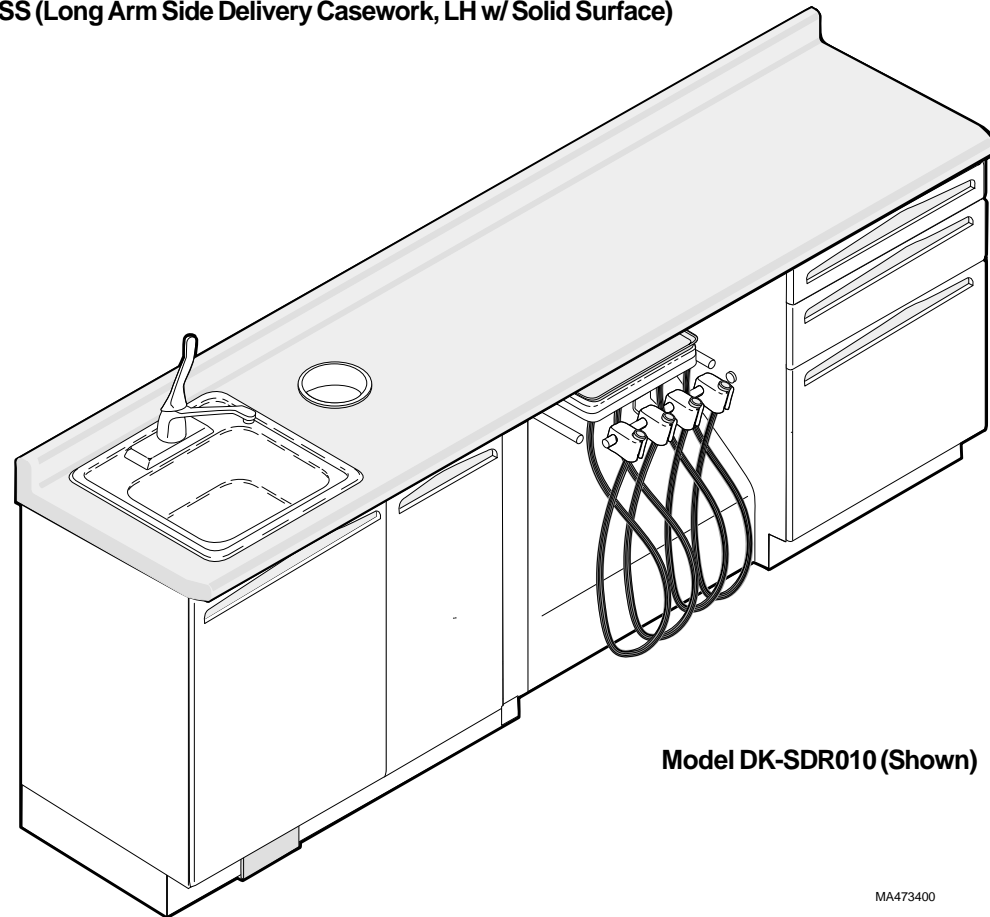
Rough Solid Concrete or Brick Wall

Use #12 round head wood screws or a specialized masonry fastener.

MODELS:

DK-SDR010 (Long Arm Side Delivery Casework w/Sink & Storage, RH)
DK-SDL010 (Long Arm Side Delivery Casework w/Sink & Storage, LH)
DK-SDR011 (Long Arm Side Delivery Casework w/Sink, RH)
DK-SDL011 (Long Arm Side Delivery Casework w/Sink, LH)
DK-SDR012 (Long Arm Side Delivery Casework, RH)
DK-SDL012 (Long Arm Side Delivery Casework, LH)
DK-SDR010SS (Long Arm Side Delivery Casework w/Sink & Storage, RH w/ Solid Surface)
DK-SDL010SS (Long Arm Side Delivery Casework w/Sink & Storage, LH w/ Solid Surface)
DK-SDR011SS (Long Arm Side Delivery Casework w/Sink, RH w/ Solid Surface)
DK-SDL011SS (Long Arm Side Delivery Casework w/Sink, LH w/ Solid Surface)
DK-SDR012SS (Long Arm Side Delivery Casework, RH w/ Solid Surface)
DK-SDL012SS (Long Arm Side Delivery Casework, LH w/ Solid Surface)

Installation Instructions



Model DK-SDR010 (Shown)

WALL LAYOUT PREPARATION (as applicable)

NOTE

Please check local electrical and plumbing codes. Knight cannot be held responsible for installations which do not conform to local codes.

- A - The wall layout (Figure 1) shows a unit with sink and storage cabinet options. If the unit you are installing does not have a sink or storage option, disregard instructions and dimensional information for those options.
- B - Have a licensed electrical contractor position and install electrical outlet receptacles as necessary using layout (Figure 1).
- C - Have a licensed plumbing contractor position and install plumbing using layout (Figures 1 and 2).

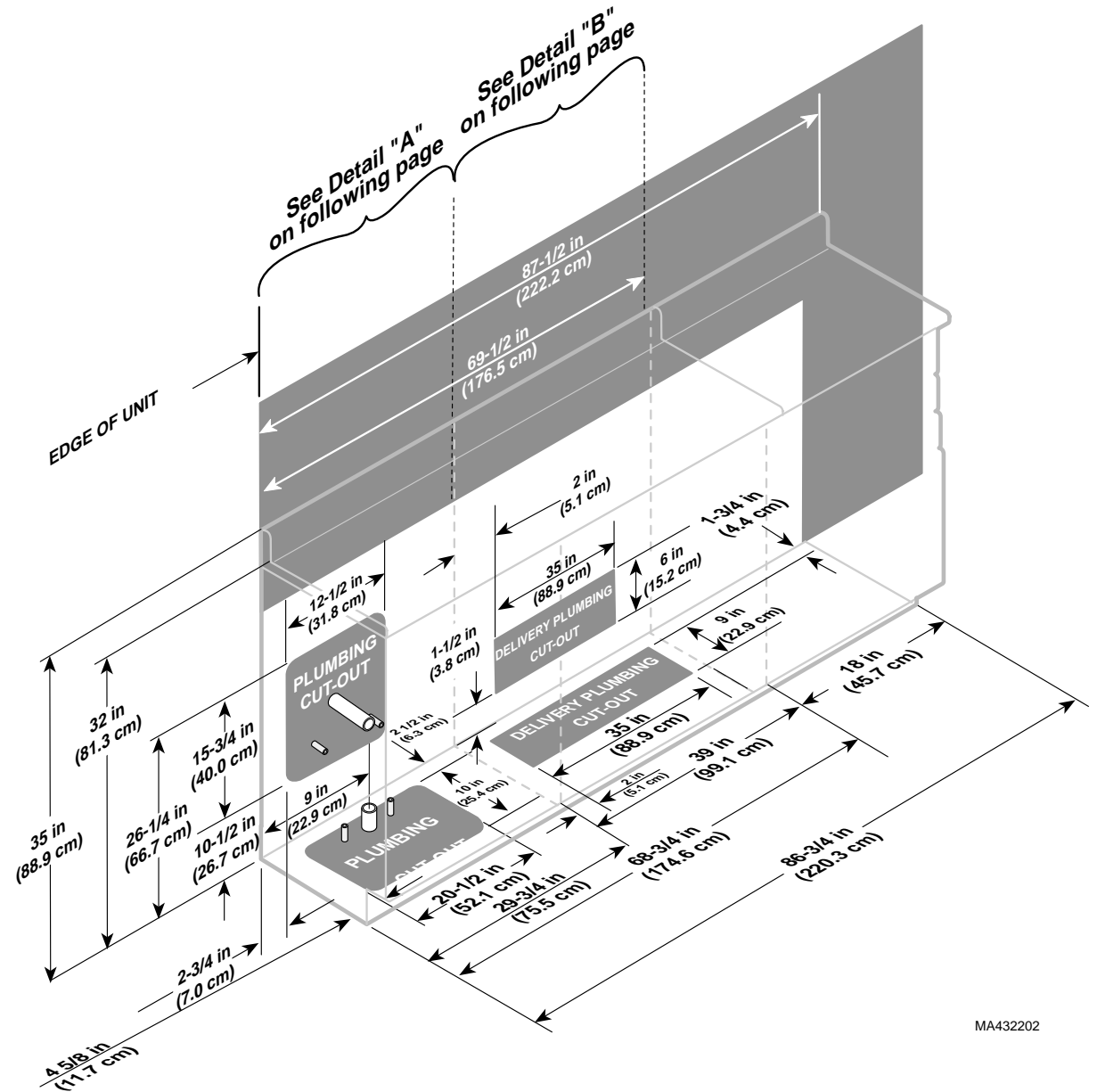
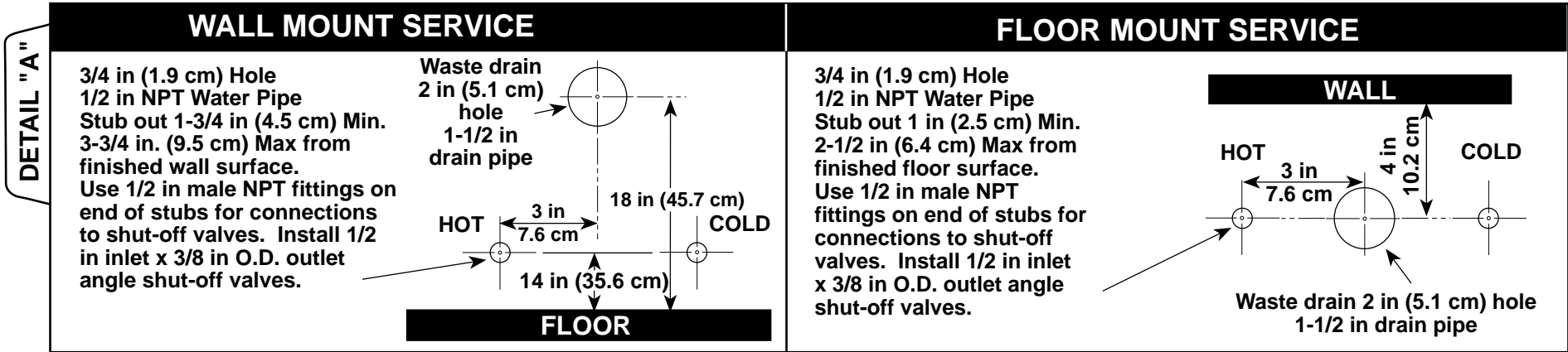


Figure 1

MA432202

SINK SERVICE DETAILS



DELIVERY UNIT SERVICE DETAILS

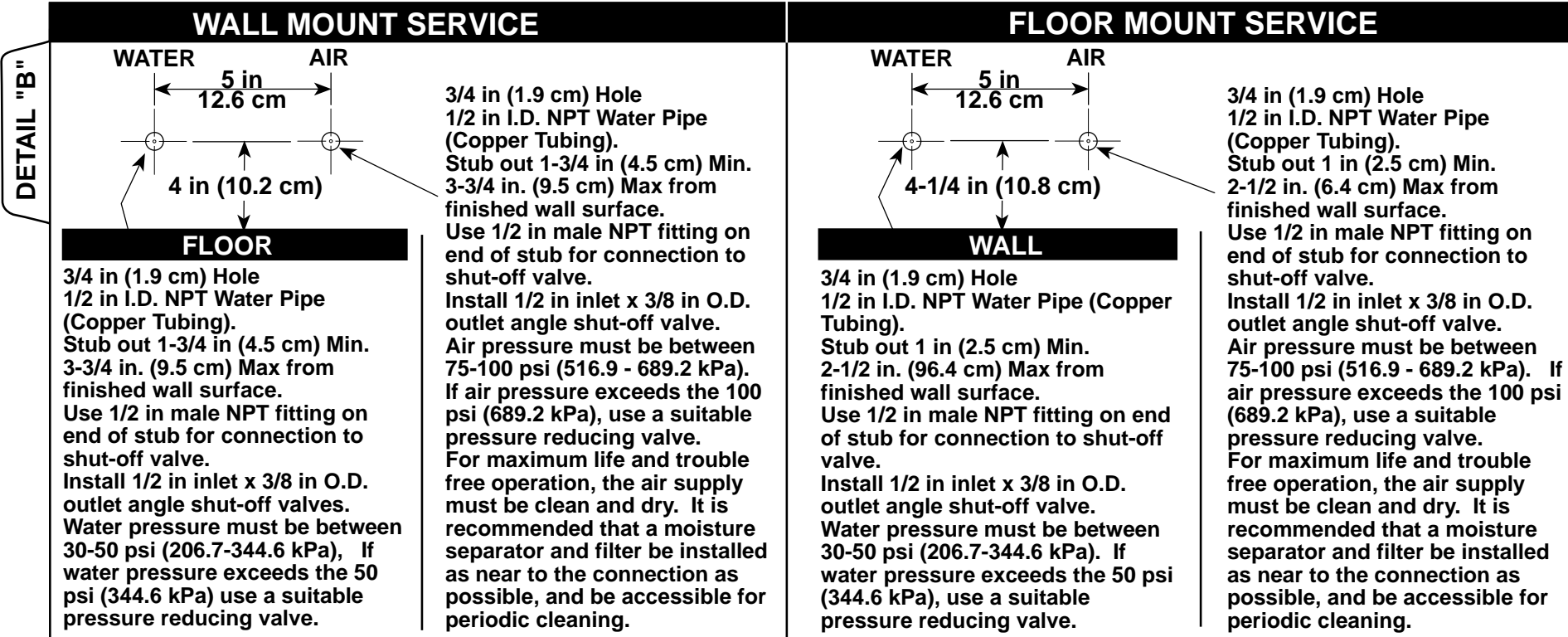


Figure 2

CABINET INSTALLATION

NOTE:

This unit consists of two separately shipped cabinets, a sink cabinet (1) and a storage cabinet (2), and components for the long arm plumbing. The sink cabinet and storage cabinet are optional and are included only with some models.

- A - Remove sink bottom from sink cabinet.
- B - Remove storage bottom from storage cabinet.
- C - Using a 1/4" socket, adjust leveling screws on sink cabinet and storage cabinet to the fully lowered position.

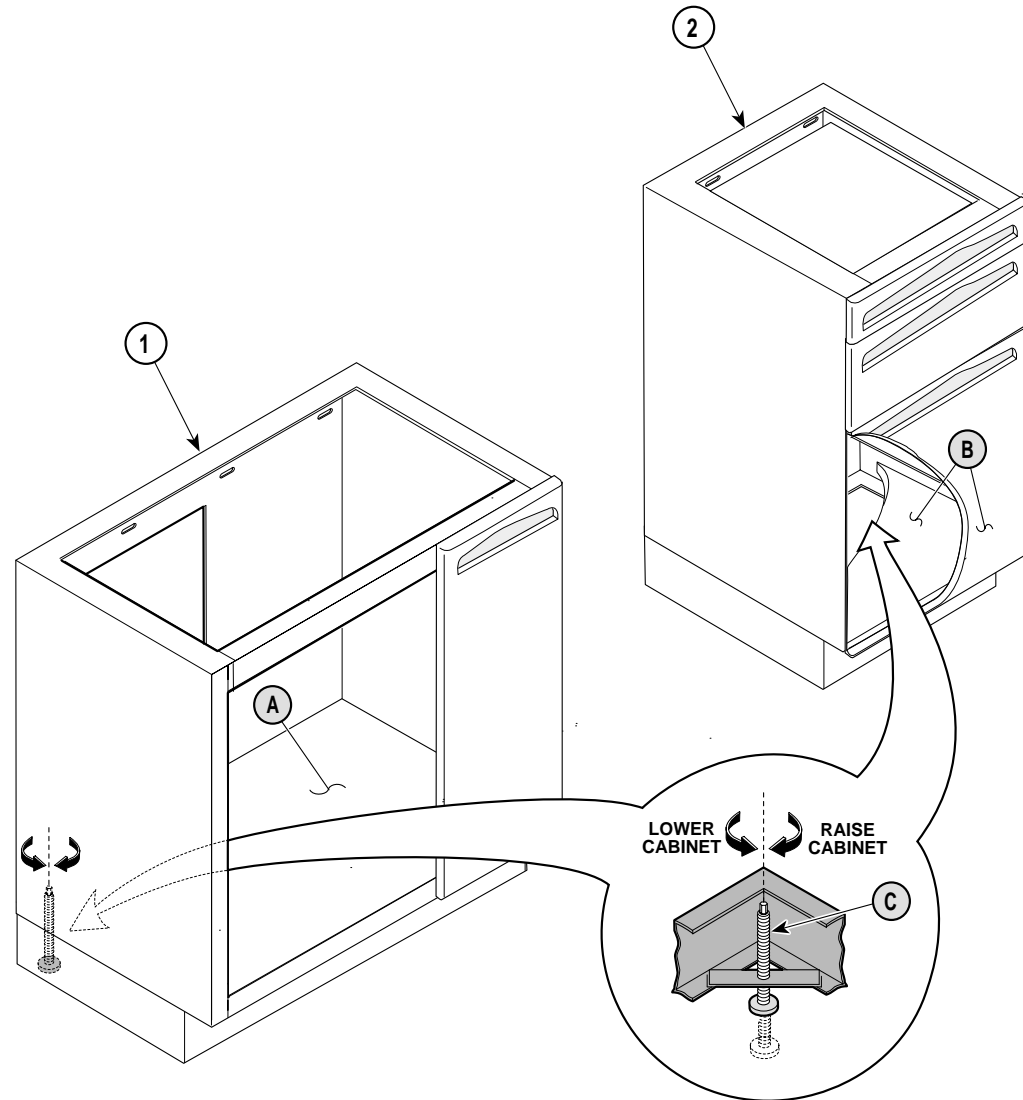


Figure 3

CABINET INSTALLATION - Continued

NOTE

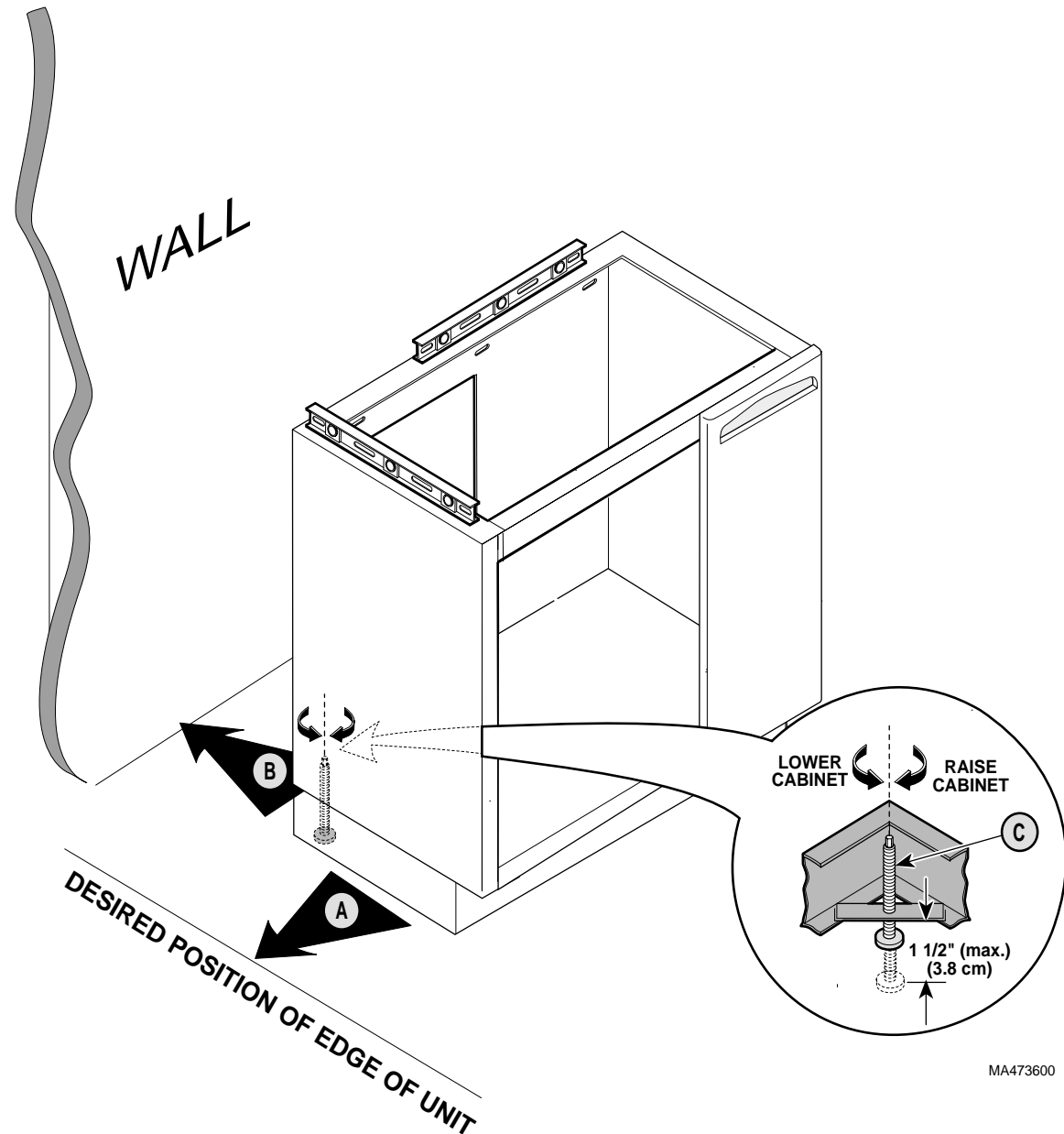
If unit being installed has a sink cabinet, place it first in the room layout.

- A - Move cabinet into desired position for edge of cabinet.
- B - Move cabinet into position against wall.

NOTE

Make sure to adjust cabinet high enough so that the other cabinets have room for adjustment if the floor is higher under them.

- C - Level cabinet by adjusting leveling screws (Do not adjust leveling screws more than 1-1/2 in. (3.8 cm) to prevent loss of stability).

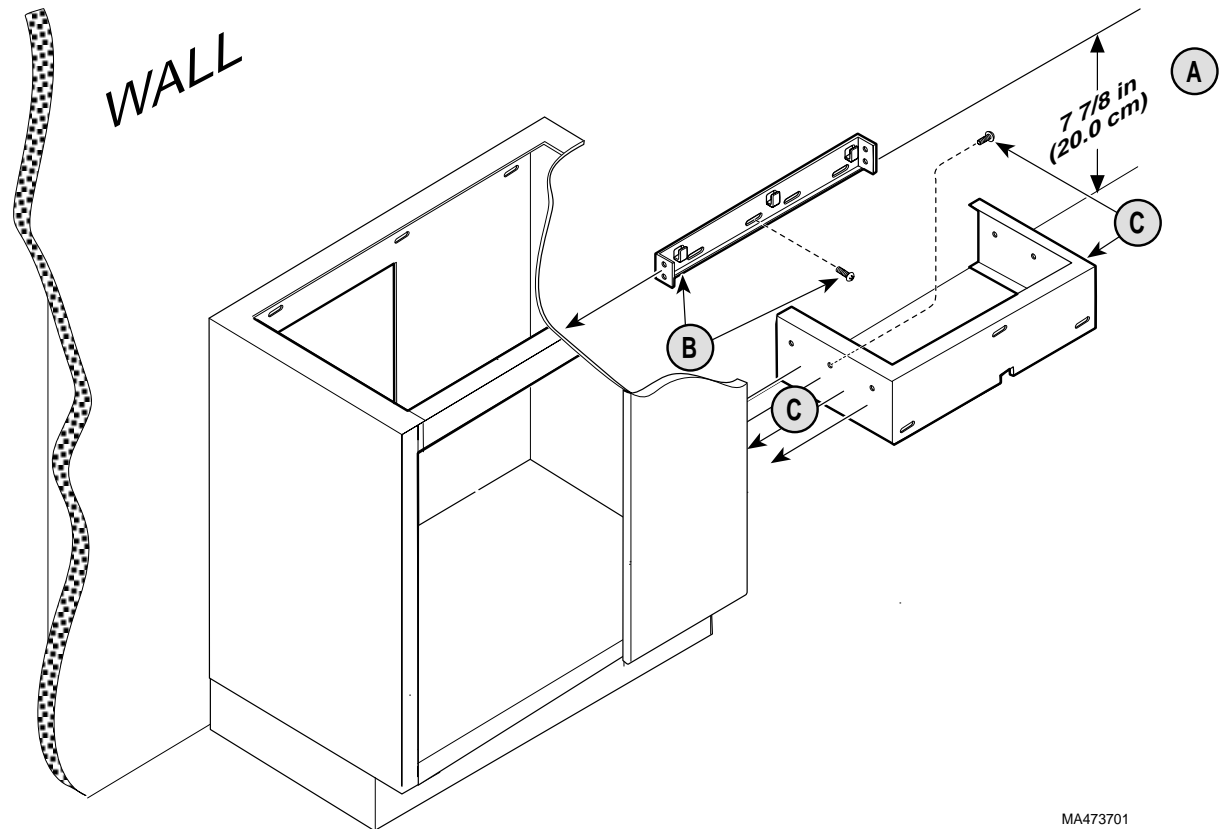


MA473600

Figure 4

CABINET INSTALLATION - Continued

- A - Measure up 7-7/8 in. (20.0 cm) from finished floor surface and make a mark. Use a level to extend mark entire width of opening.
- B - Position hanger bracket against cabinet and then align the bottom of the hanger bracket with mark. Attach hanger bracket to wall with appropriate fasteners (see cover page).
- C - Place plumbing cover bracket against cabinet and against wall. Attach cover bracket to cabinet with three #8 self-drilling screws (supplied).



MA473701

Figure 5

CABINET INSTALLATION - Continued (Applies to Units With Two Cabinets)

- A - Position storage cabinet against plumbing cover bracket and wall.
- B - Level storage cabinet as well as align with the top of sink cabinet by adjusting leveling screws (Do not adjust leveling screws more than 1-1/2 in. (3.8 cm) to prevent loss of stability).
- C - Attach plumbing cover bracket to storage cabinet with three #8 self-drilling screws (supplied).
- D - Position and level countertop support between sink cabinet and storage cabinet and then attach to wall with appropriate fasteners (see cover page).
- E - Re-install storage bottom in storage cabinet.
- F - Attach the cabinets to the wall with appropriate fasteners (see cover page).

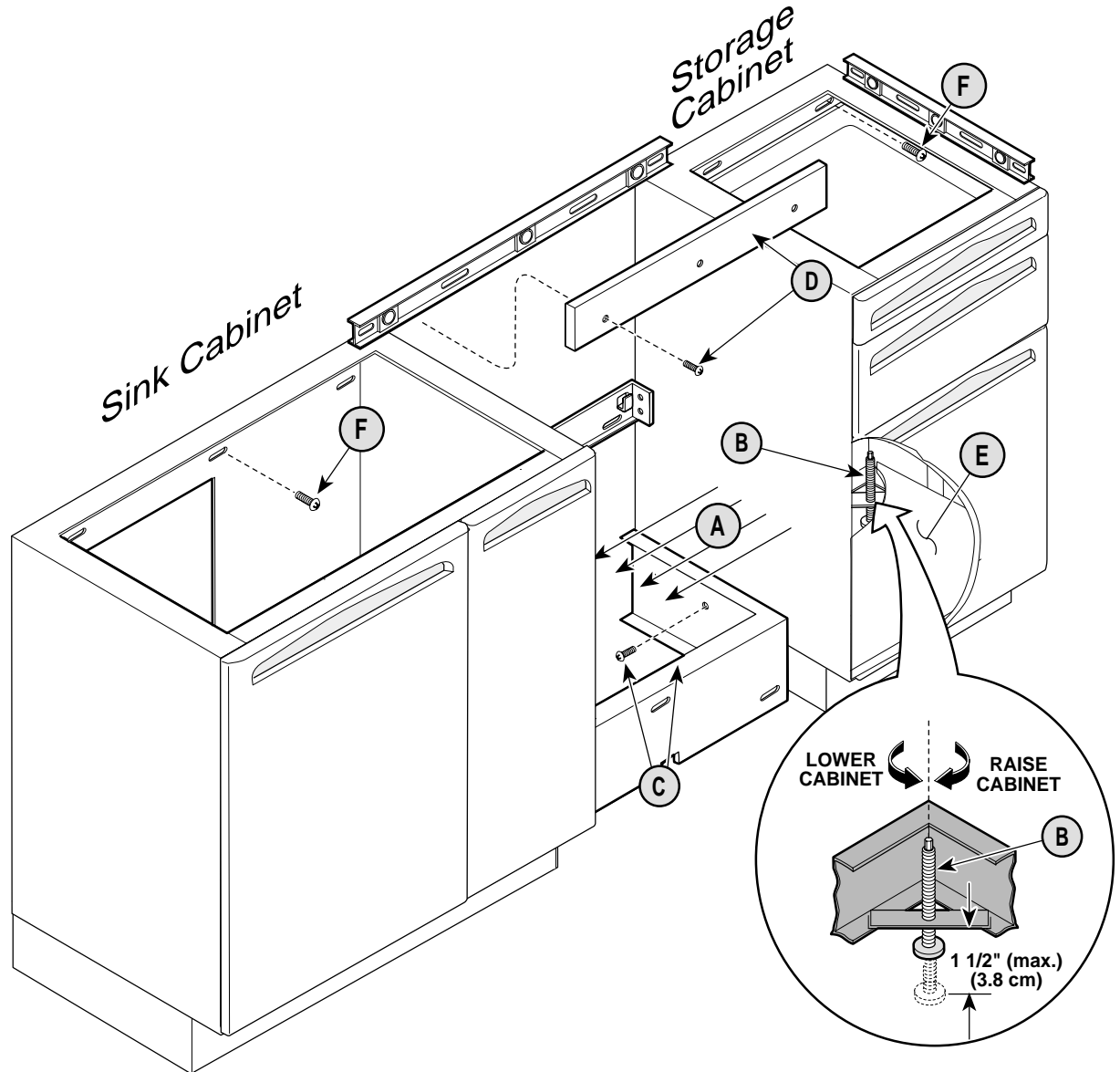
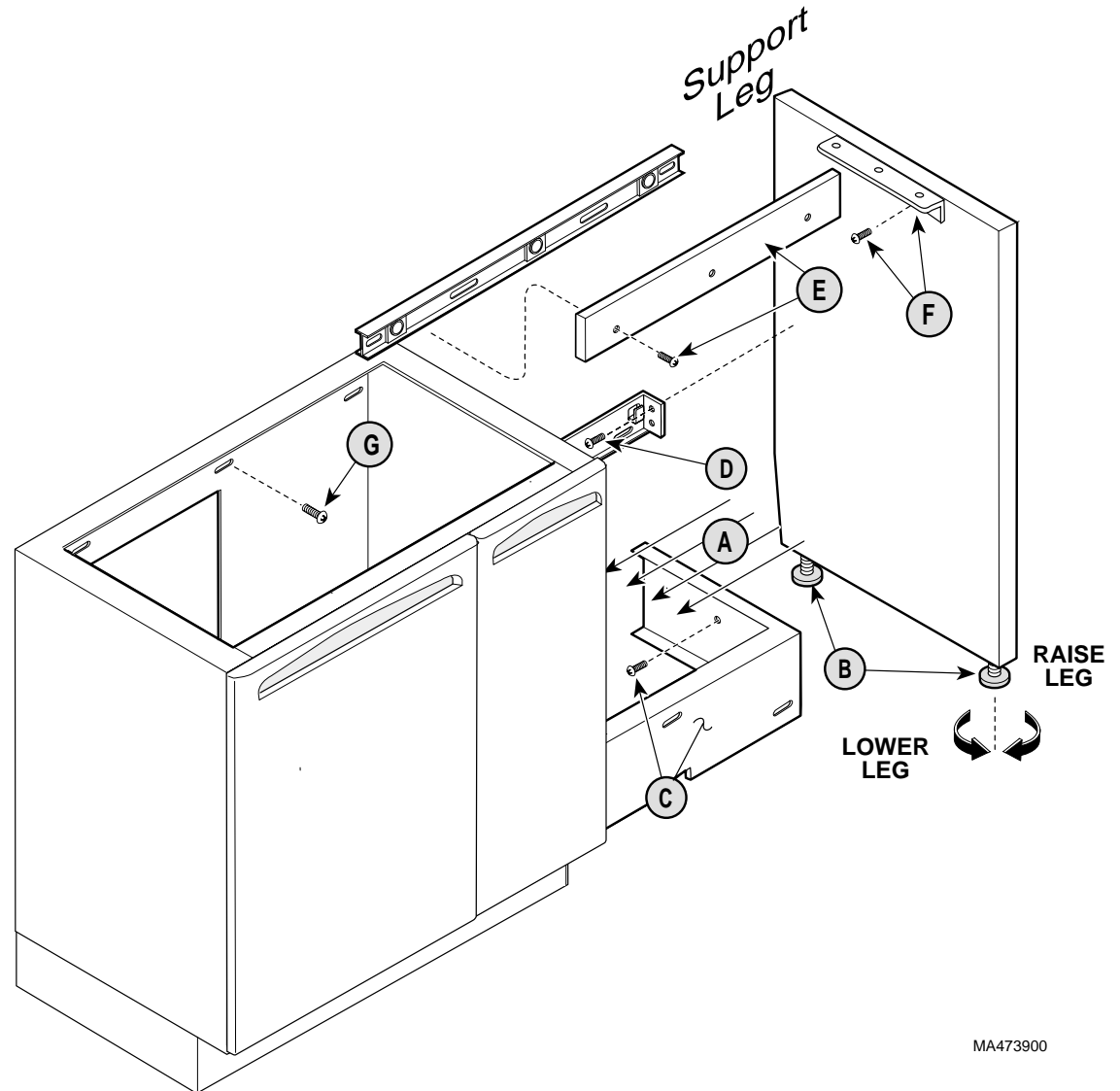


Figure 6

CABINET INSTALLATION - Continued (Applies to Units With One Cabinet)

- A - Position support leg against plumbing cover bracket and wall.
- B - Level support leg as well as align with top of sink cabinet by adjusting leveling screws.
- C - Attach plumbing cover bracket to support leg with three #10 x 5/8" particle board screws (supplied).
- D - Attach support leg to hanger bracket with two #10 x 5/8" particle board screws (supplied).
- E - Position and level countertop support between cabinet and support leg and then attach to wall with appropriate fasteners (see cover page).
- F - Align top of leg bracket with top of support leg and also center leg bracket on support leg. Attach leg bracket with two #10 x 5/8" particle board screws (supplied).
- G - Attach cabinet to the wall with appropriate fasteners (see cover page).



MA473900

Figure 7

LONG ARM DELIVERY UNIT IN-STALLATION

- A - Install Long Arm Delivery Unit per manufacturers instructions included with the unit.
- B - Install plumbing cover.

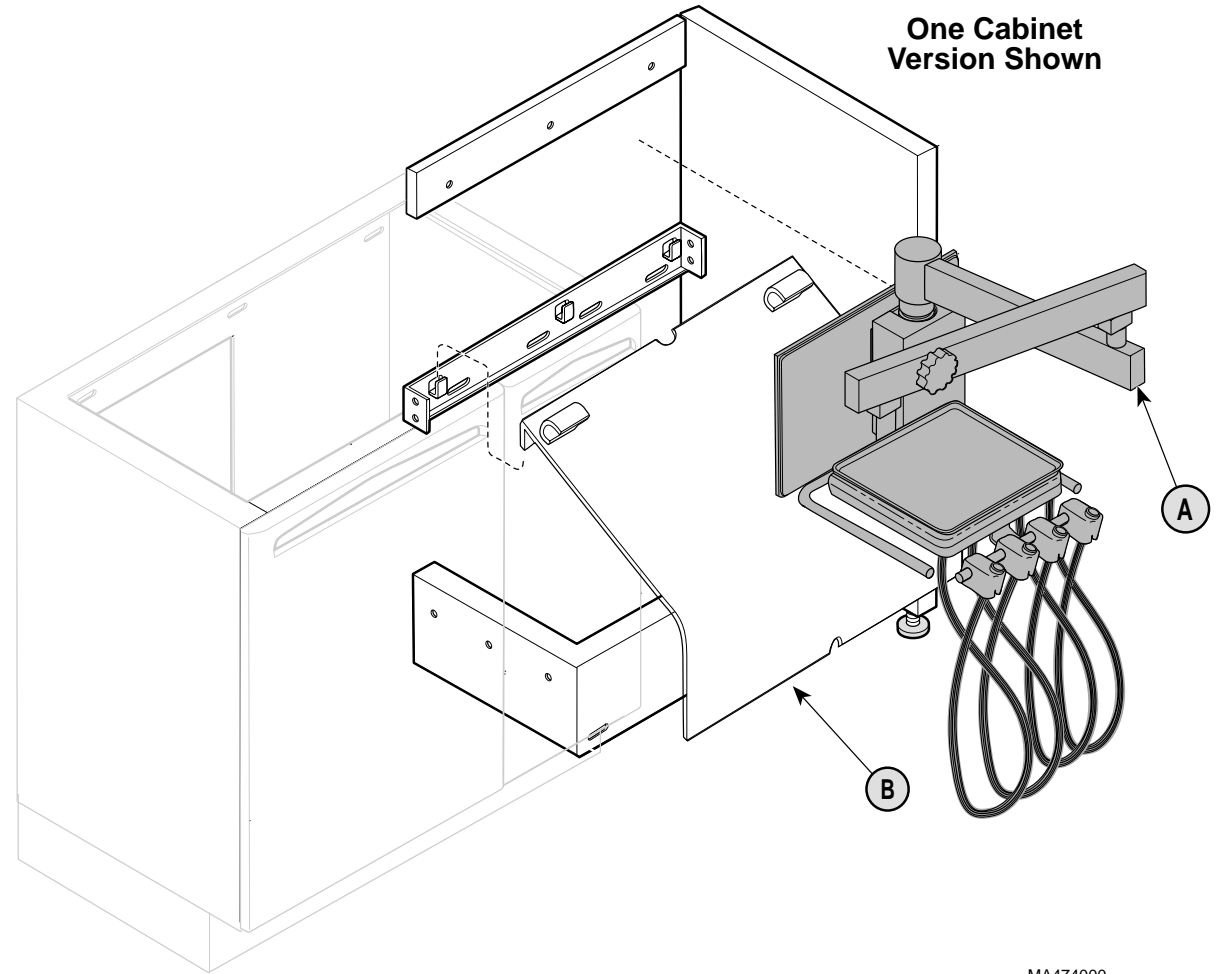
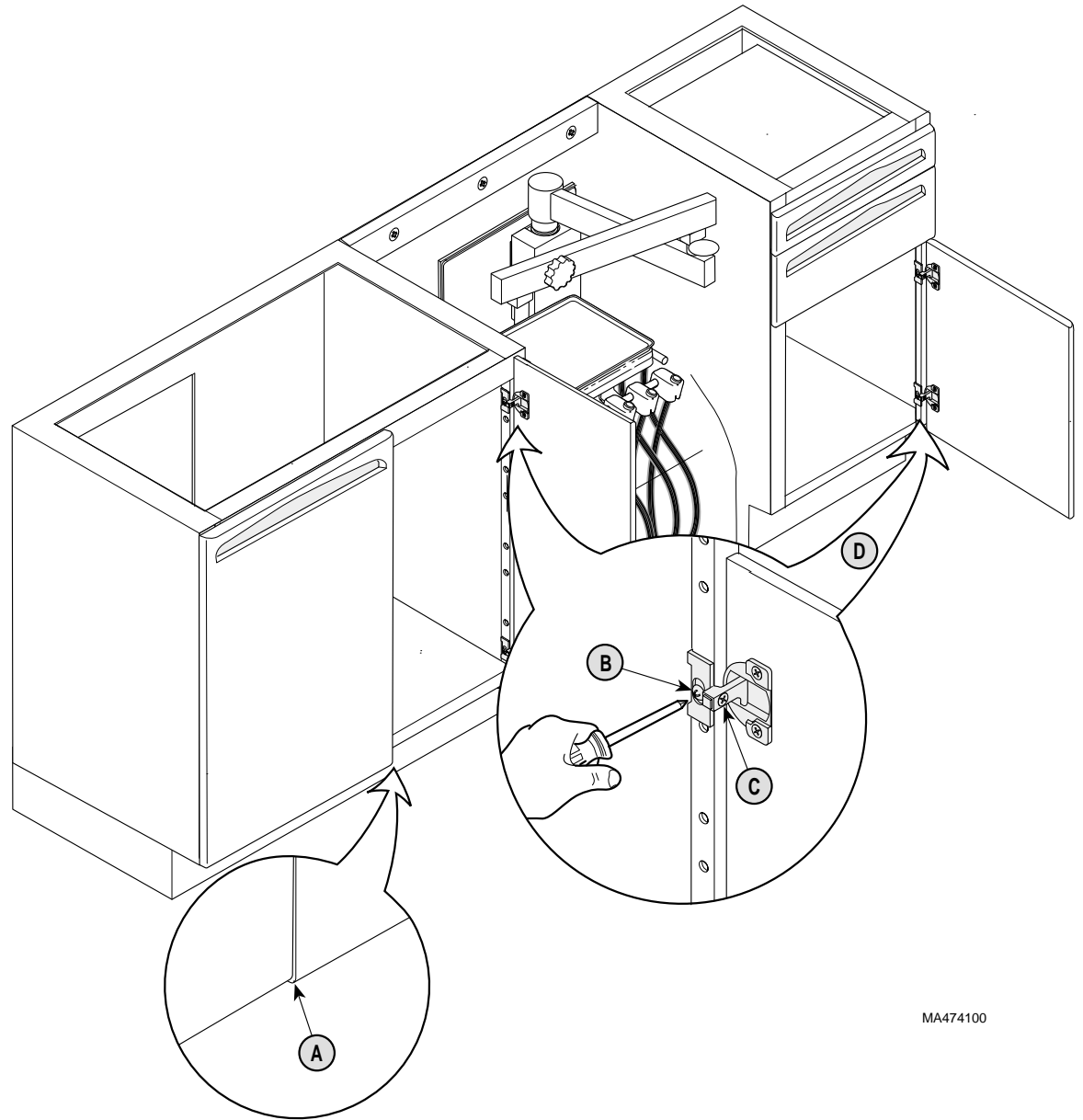


Figure 8

CABINET DOORS ADJUSTMENT

- A - Check door(s) on cabinets to see if door(s) need adjusted vertically or horizontally.
- B - Adjust cabinet door(s) vertically (align door(s) with bottom of cabinet shell) by loosening screws (B) on both hinges of door. After adjusting, retighten screws.
- C - Sink Cabinet only - Adjust sink cabinet doors horizontally (so doors meet properly; not too big of a gap between doors or doors touching and preventing doors from closing properly) by loosening screws (C) on both hinges of door [ideal gap is 1/16 in. (1.6 mm)]. After adjusting, retighten screws.
- D - Storage Cabinet only - align door with drawer above it by loosening screw (B) on both hinges of door. After adjusting, retighten screws. Then, adjust storage door horizontally by loosening screw (C) on both hinges of door. After adjusting, retighten screws.



MA474100

Figure 9

COUNTERTOP INSTALLATION

- A - Scribe (sand) countertop as necessary to form to wall.
- B - Secure countertop to cabinet(s) with #10 x 5/8" screws (supplied), making sure the countertop extends over each end of the cabinet(s) / support leg 3/8 inch (0.95 cm).
- C - On units with support leg, secure countertop to support leg with three #10 x 5/8" screws (supplied).
- D - Install waste ring in countertop (supplied) (This step does not apply to models w/Solid Surface countertop).
- E - Caulk edges of countertop as necessary to seal the wall.
- F - Wipe exterior of cabinets with a mild spray cleaner and broom clean all drawers and storage areas.

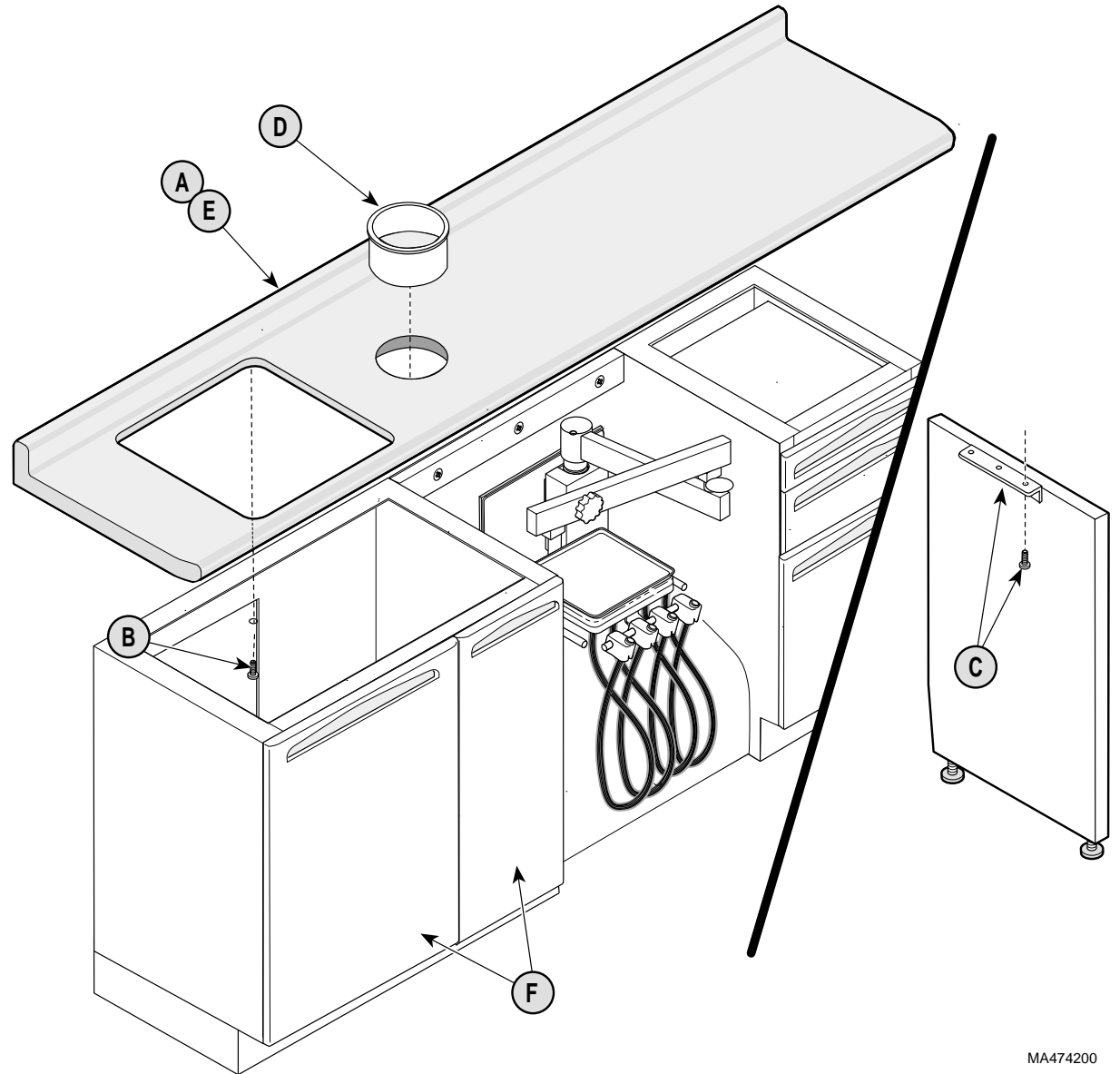


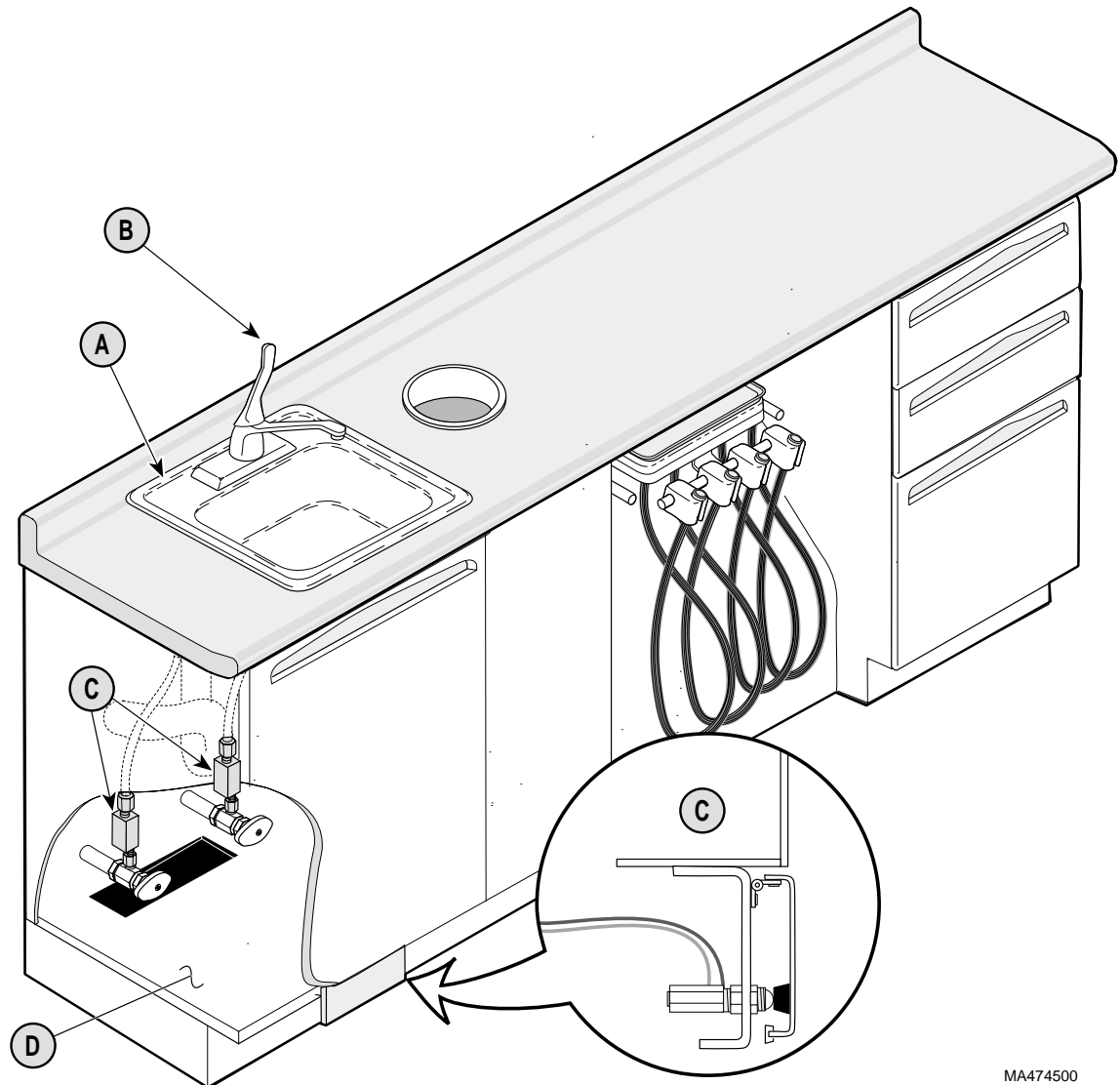
Figure 10

MA474200

PLUMBING CONNECTIONS

Have a licensed plumber install the following parts:

- A - Stainless Steel Sink - Refer to the installation instructions included with the sink (This step does not apply to models w/Solid Surface countertop).
- B - Lever Handle Faucet - Refer to the installation instructions included with the faucet.
- C - Tapmaster™ Faucet Controller - Refer to the installation instructions included with the faucet controller.
- D - Re-install sink bottom into sink cabinet.



MA474500

Figure 11

KNIGHT DENTAL CASEWORK LIMITED WARRANTY

Extension of Warranty:

Midmark® Corporation ("Midmark") warrants to the original purchaser its Knight Dental Casework, manufactured by Midmark, to be free from defects in material and workmanship under normal interior use and service. Midmark's obligation under this warranty is limited to the repair or replacement, at Midmark's option, of the parts or the products the defects of which are reported to Midmark within the applicable warranty period and which upon examination by Midmark prove to be defective.

Applicable Warranty Period

The applicable warranty period, measured from the date of delivery to the original user, shall be as follows:

- (a) Five (5) years for all products and components (except for the shorter periods in (b and c)), including plastic laminate top surfaces, door and drawer fronts, castors, and electrical components such as task lights and cords.
- (b) Three (3) years for task light ballast.
- (c) One (1) year for plastic laminate top surfaces and accessories.

Exclusions

Midmark's warranty does not cover sinks, faucets, and plumbing accessories. Any warranties on these items are extended directly by the manufacturer of these items to the original purchaser. Information on these manufacturers' warranties will be enclosed with the applicable products. Also, Midmark will furnish copies of any of the warranties extended by any such manufacturers upon request.

This warranty does not cover and Midmark shall not be liable for: (1) repairs and replacements required because of misuse, abuse, negligence, alteration, accident, freight damage, or tampering; (2) matching of color, grain, or texture except to commercially acceptable standards; (3) changes in color caused by natural or artificial light; (4) products which are not installed, used, and properly cleaned as required in Midmark's written Installation Manual; (5) specially manufactured products; (6) products considered to be of a consumable nature such as light bulbs and surge suppression product; (7) accessories or parts not manufactured by Midmark; (8) charges by anyone (including Midmark's authorized Knight Dental Casework dealers) for adjustments, repairs, replacement parts, installation, or other work performed upon or in connection with such products which is not expressly authorized in writing in advance by Midmark.

Exclusive Remedy

Midmark's only obligation under this warranty is the repair or replacement of defective parts. Midmark shall not be liable for any direct, special, indirect, incidental, exemplary, or consequential damages or delay.

No Authorization

No person or firm is authorized to create for Midmark any other obligation or liability in connection with the products.

THIS WARRANTY IS MIDMARK'S ONLY WARRANTY AND IS IN LIEU OF ALL OTHER WARRANTIES, EXPRESS OR IMPLIED. MIDMARK MAKES NO IMPLIED WARRANTIES OF ANY KIND INCLUDING ANY WARRANTIES OF MERCHANTABILITY OR FITNESS FOR ANY PARTICULAR PURPOSE. THIS WARRANTY IS LIMITED



by MIDMARK®

MIDMARK®

Midmark Corporation, Versailles, Ohio 45380 U.S.A.
937-526-3662 TELEX 288007 FAX 937-526-5542