

**Quick Reference Guide
224 & 225
Barrier-Free® Exam Chair**

Model Number:
Serial Number:

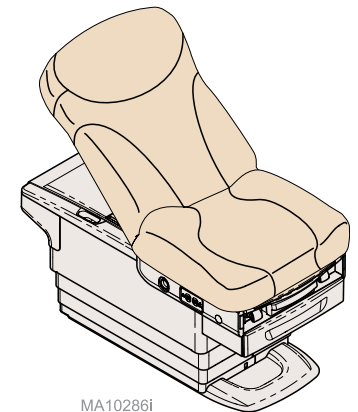
Dealer Information:

Purchase Date:

Upholstery Color:

003-10029-00 Rev AA2 (11/1/17)

This guide outlines basic operation of the chair. The enclosed User Guide provides additional instructions on operation and care, as well as regulatory compliance information. If service is required, contact your authorized Midmark dealer.



MA10286i

Maintenance

Periodically inspect the following:

- Power cord must be free of visible damage.
- Foot control cord must be free of visible damage.
- All fasteners must be present and secure.
- All mechanical functions should operate

Cleaning

Upholstery

Wash your upholstery weekly with a mild liquid soap and water mixture, rinse with clear water and dry completely to remove disinfection cleaner build-up. Disinfect your upholstery with a solution of standard bleach and water mixed 1 in 10 (10%) or chlorine based cleaners (see current CDC Guideline for Disinfection & Sterilization in Healthcare Facilities). Follow this with a clear water rinse and thorough drying of material.

To minimize damage caused by disinfectant cleaner residue build-up, do not allow disinfectants to pool on the upholstery surface. Once the approved contact time has been obtained, remove and dry excess liquid remaining on the surface.

Detailed care and maintenance instructions are included with your product. This information is also available on www.midmark.com in the Technical library under the User Information tab for your product.

Painted Metal / Plastic Surfaces

Clean the painted metal and plastic surfaces weekly using a clean soft cloth, and mild cleaner. Use of chlorine based disinfectant can cause damage to the hand control.

Calling for Service

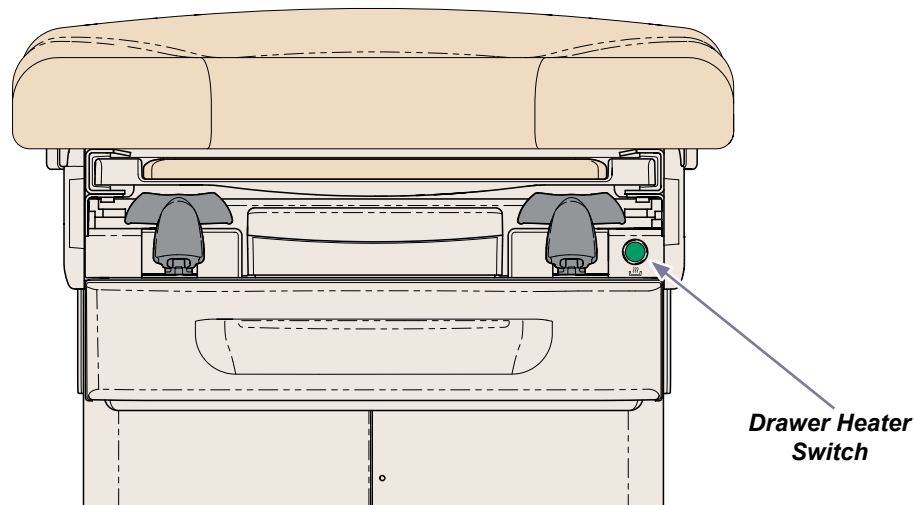
If service is required, contact your Midmark dealer. To contact Midmark Medical Technical Support: US 844-856-1230 / Canada 937-526-8585 Monday-Friday 8:00 am until 7:00 pm (EST)

Midmark Corporation
60 Vista Drive
Versailles, OH 45380 USA
1-800-643-6275
1-937-526-3662



Because we care.

To turn the drawer heater ON / OFF..
Press and release the drawer heater switch.
Note: Switch will illuminate when heater is ON.



MA10287i

Note

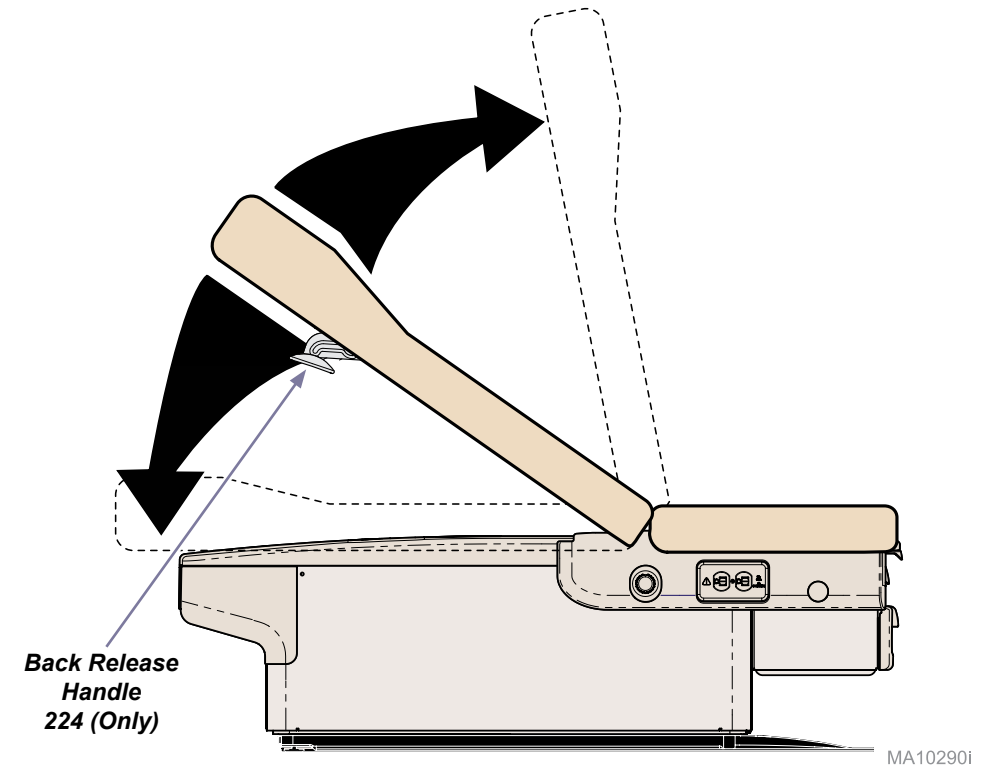
The chair automatically stops at its maximum and minimum height.

To move the chair Up or Down...
Press and hold the appropriate button.



To position the 224 back section...

- A) While holding the back section in place, squeeze the Back Release Handle (either side).
- B) Move the back section.
- C) Release handle to lock back section in position.



MA10290i