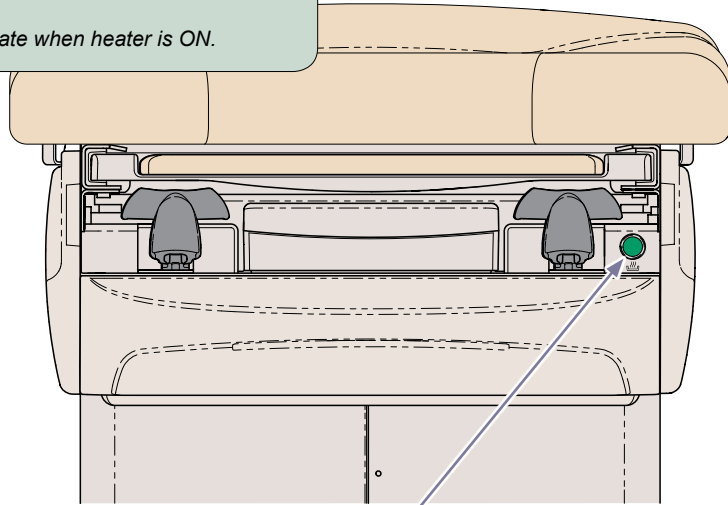


To turn the drawer heater ON / OFF..
Press and release the drawer heater switch.

Note: Switch will illuminate when heater is ON.

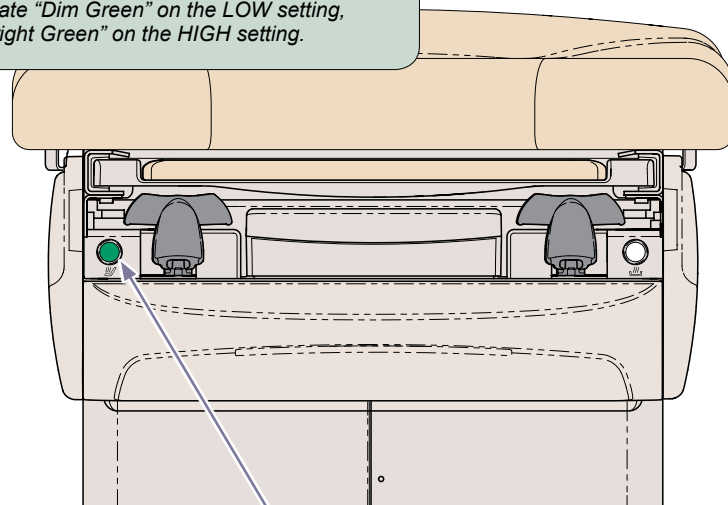


Drawer Heater Switch

MA10295I

To turn the upholstery heater ON / OFF..
Press and release the upholstery heater switch once for the LOW setting and twice for the High setting. Pressing the heater switch a third time will turn upholstery heater off.

Note: Switch will illuminate "Dim Green" on the LOW setting, and illuminate "Bright Green" on the HIGH setting.



Upholstery Heater Switch

MA10296I

Maintenance

Periodically inspect the following:

- Power cord must be free of visible damage.
- Foot / Hand control cords must be free of visible damage.
- All fasteners must be present and secure.
- All mechanical functions should operate

Cleaning

Upholstery

Wash your upholstery weekly with a mild liquid soap and water mixture, rinse with clear water and dry completely to remove disinfection cleaner build-up.

Disinfect your upholstery with a solution of standard bleach and water mixed 1 in 10 (10%) or chlorine based cleaners (see current CDC Guideline for Disinfection & Sterilization in Healthcare Facilities). Follow this with a clear water rinse and thorough drying of material.

To minimize damage caused by disinfectant cleaner residue build-up, do not allow disinfectants to pool on the upholstery surface. Once the approved contact time has been obtained, remove and dry excess liquid remaining on the surface.

Detailed care and maintenance instructions are included with your product. This information is also available on www.midmark.com in the Technical library under the User Information tab for your product.

Painted Metal / Plastic Surfaces

Clean the painted metal and plastic surfaces weekly using a clean soft cloth, and mild cleaner. Use of chlorine based disinfectant can cause damage to the hand control.

Calling for Service

If service is required, contact your Midmark dealer.
To contact Midmark Medical Technical Support:
US 844-856-1230 / Canada 937-526-8585
Monday-Friday 8:00 am until 7:00 pm (EST)

Midmark Corporation
60 Vista Drive
Versailles, OH 45380 USA
1-800-643-6275
1-937-526-3662



Because we care.



Quick Reference Guide 626 (-001 & -002) Barrier-Free® Exam Chair

Model Number:
Serial Number:

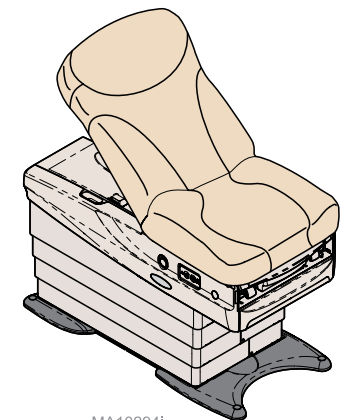
Dealer Information:

Purchase Date:

Upholstery Color:

003-10030-00 Rev AA2 (11/1/17)

This guide outlines basic operation of the chair. The enclosed User Guide provides additional instructions on operation and care, as well as regulatory compliance information. If service is required, contact your authorized Midmark dealer.



MA10294I

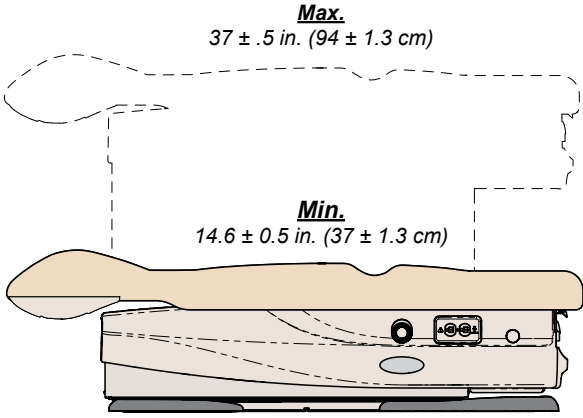


To operate the Base / Back functions...
 Press & hold the Up or Down arrow button for the desired function.

*Note: The chair automatically stops at its maximum and minimum height.
 In the event of a malfunction, press the Stop button to terminate movement.*

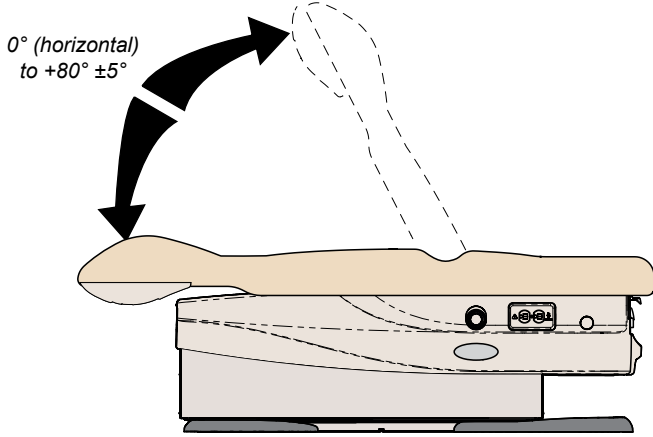
To activate the Home -or- Quick Exam® function...
 Press & release the Home -or- Quick Exam® button.

Note: In the event of a malfunction, press ANY button to terminate movement.

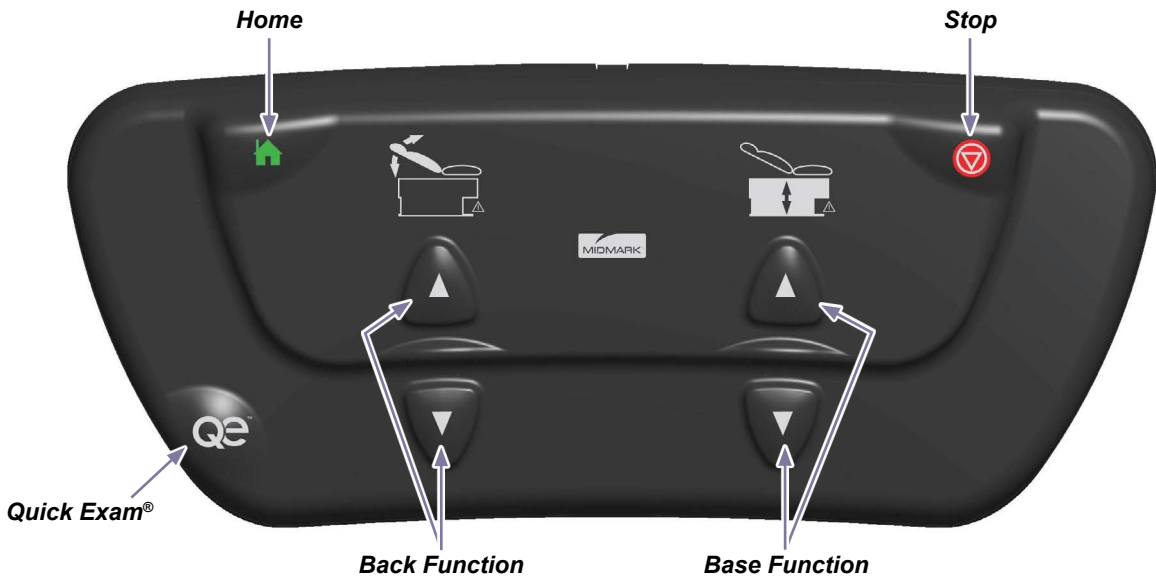


Quick Exam® Height
 Programmable
 (set by the user)

'Home' Height
 Programmable
 (set by the user)



MA10299i



To program the Home or Quick Exam® functions...

- Press the Base Up / Down button to move the Base to the desired height.
- Press the Back Up / Down button to move the Back to the desired angle.
- Press the Stop button, then the Home or Quick Exam® button and hold simultaneously for three to four seconds.

Note: You will hear an audible tone when the new position is saved.