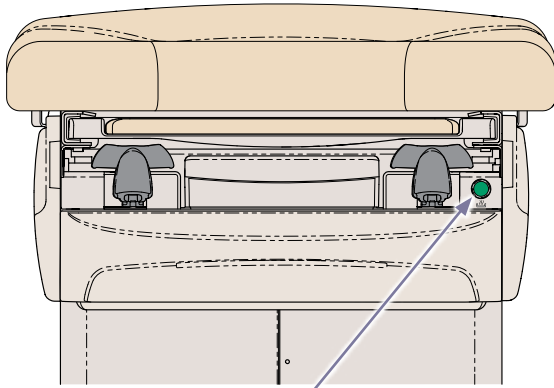


**To turn the drawer heater ON / OFF...**  
Press and release the drawer heater switch.

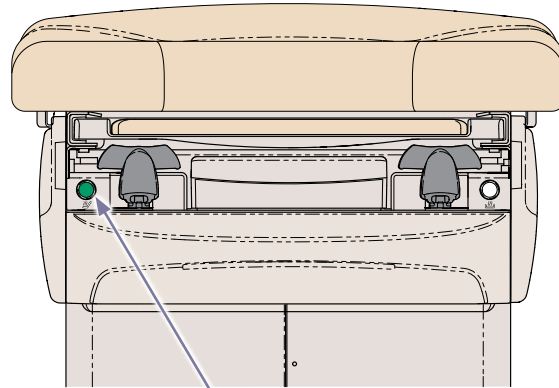
Note: Switch will illuminate when heater is ON.



**Drawer Heater Switch** MA103011

**To turn the upholstery heater ON / OFF...**  
Press and release the upholstery heater switch once for the LOW setting and twice for the High setting. Pressing the heater switch a third time will turn upholstery heater off.

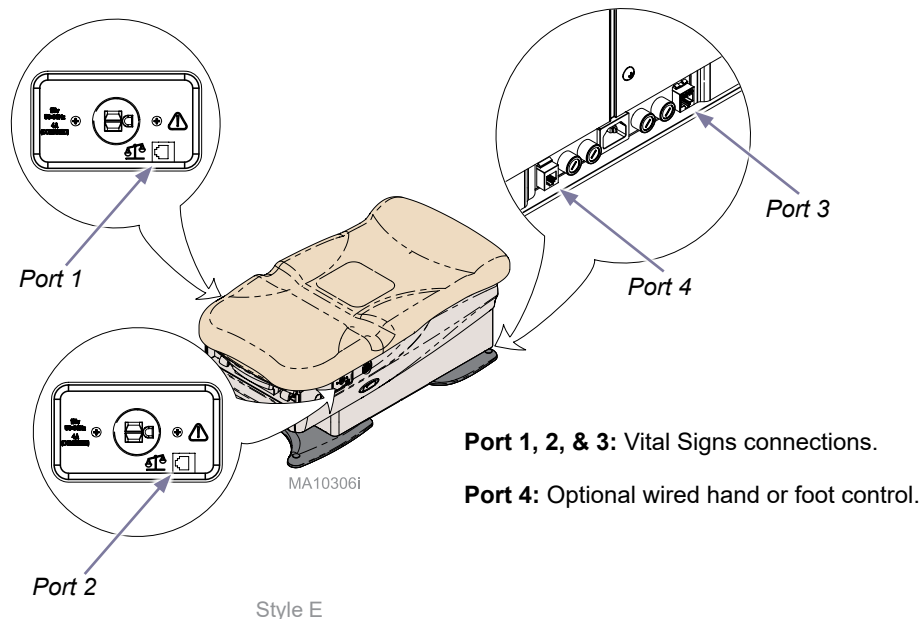
Note: Switch will illuminate "Dim Green" on the LOW setting, and illuminate "Bright Green" on the HIGH setting.



**Upholstery Heater Switch** MA103021

## Data Connections

Data connections are located on each side of chair and on rear base of chair.



## Maintenance

### Periodically inspect the following:

- Power cord must be free of visible damage.
- All fasteners must be present and secure.
- All mechanical functions should operate

### Cleaning

#### Upholstery

Wash your upholstery weekly with a mild liquid soap and water mixture, rinse with clear water and dry completely to remove disinfection cleaner build-up.

Disinfect your upholstery with a solution of standard bleach and water mixed 1 in 10 (10%) or chlorine based cleaners (see current CDC Guideline for Disinfection & Sterilization in Healthcare Facilities). Follow this with a clear water rinse and thorough drying of material.

To minimize damage caused by disinfectant cleaner residue build-up, do not allow disinfectants to pool on the upholstery surface. Once the approved contact time has been obtained, remove and dry excess liquid remaining on the surface.

Detailed care and maintenance instructions are included with your product. This information is also available on [www.midmark.com](http://www.midmark.com) in the Technical library under the User Information tab for your product.

#### Painted Metal / Plastic Surfaces

Clean the painted metal and plastic surfaces weekly using a clean soft cloth, and mild cleaner. Use of chlorine based disinfectant can cause damage to the hand control.

### Calling for Service

If service is required, contact your Midmark dealer.  
To contact Midmark Medical Technical Support:  
US 844-856-1230 / Canada 937-526-8585  
Monday-Friday 8:00 am until 7:00 pm (EST)

Midmark Corporation  
60 Vista Drive  
Versailles, OH 45380 USA  
1-800-643-6275  
1-937-526-3662



Because we care.



## Quick Reference Guide 626 (-003, -004, -005, & -006) Barrier-Free® Exam Chair

Model Number:  
Serial Number:

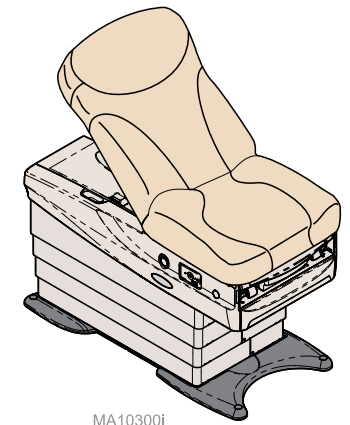
Dealer Information:

Purchase Date:

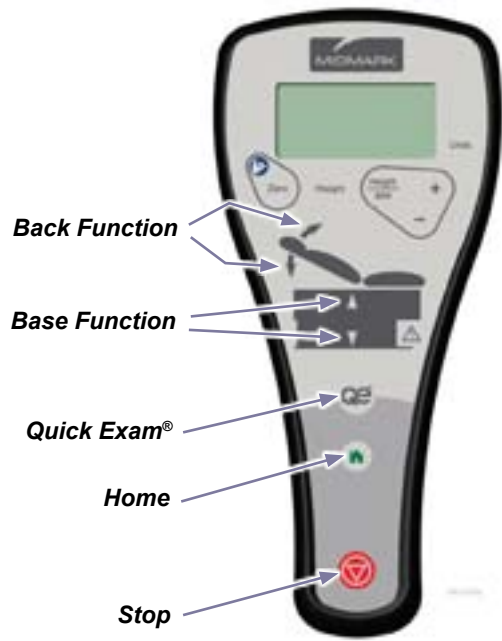
Upholstery Color:

003-10031-00 Rev AA3 (10/12/18)

This guide outlines basic operation of the chair. The enclosed User Guide provides additional instructions on operation and care, as well as regulatory compliance information. If service is required, contact your authorized Midmark dealer.



MA103001

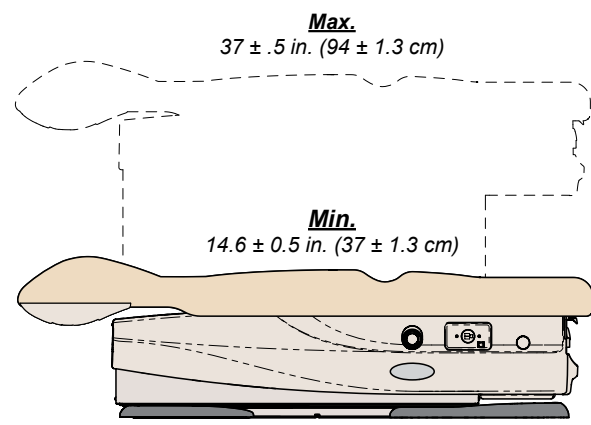


**To operate the Base / Back functions...**  
 Press & hold the Up or Down arrow button for the desired function.

Note: The chair automatically stops at its maximum and minimum height.  
 In the event of a malfunction, press the Stop button to terminate movement.

**To activate the Home -or- Quick Exam® function...**  
 Press & release the Home -or- Quick Exam® button.

Note: In the event of a malfunction, press ANY button to terminate movement.



**Quick Exam® Height**  
 Programmable  
 (set by the user)

**'Home' Height**  
 Programmable  
 (set by the user)

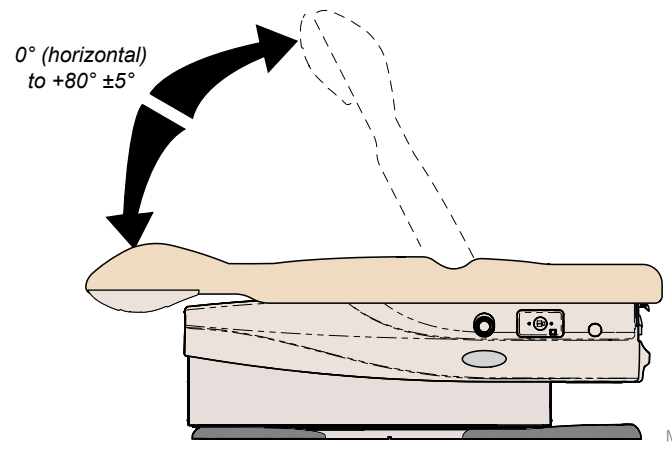
**To zero the IQscale®...**  
 Before seating patient, press and release the Zero button.  
 The display will flash "SCALE READY"; the zero operation is complete and the patient may be seated.

**To measure the patient's weight...**  
 With patient in the seated position, press & release the Weight button.

Note: To prevent the patient's feet from touching the ground, the chair will automatically rise to a height of twenty five inches prior to displaying the weight.

**To calculate the patient's BMI...**

- After patient weight is displayed, press and release the Height / BMI button.
- Press the (+) or (-) buttons to increase or decrease patient height on display.
- Press the Height / BMI button again to display patient's BMI.



**To program the Home or Quick Exam® functions...**

- Press the Base Up / Down button to move the Base to the desired height.
- Press the Back Up / Down button to move the Back to the desired angle.
- Press the Stop button, then the Home or Quick Exam® button and hold simultaneously for three to four seconds.

Note: You will hear an audible tone when the new position is saved.