

# Maintenance Kit Check List

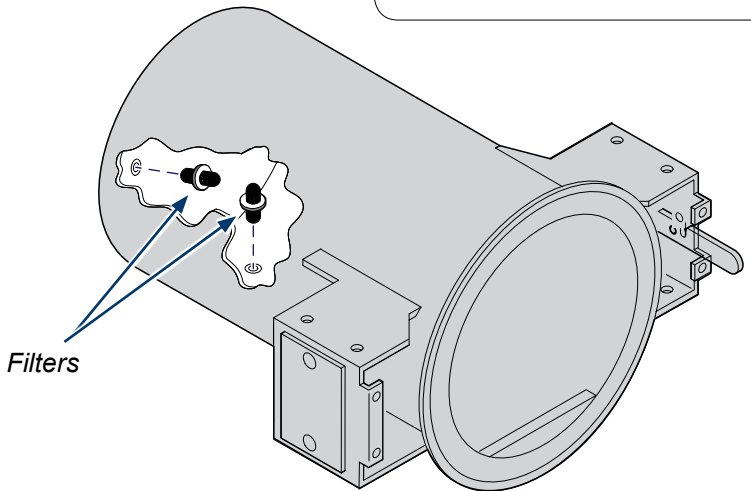
**M9** 002-10069-00

**M11** 002-10070-00

**Applies to Models:**  
 M9 (-020 / -021 / -022 / -33 / -34 / -040 / -041 / -042)  
 M9D (-022 / -042)  
 M11 (-020 / -021 / -022 / -33 / -34 / -040 / -041 / -042)

PART	QTY	PART #	NOTES:
<input type="checkbox"/> <b>Door Gasket Ring</b>			Install the new door gasket ring into the internal v-groove of the new door gasket by starting at the bottom. Proceeding up each side to the top. Orient the weld on the gasket ring between the door hinges (3 o'clock) when looking at the inside of the door.
M9	1	057-0790-01	
M11	1	057-0790-00	
<input type="checkbox"/> <b>Door Gasket</b>			Remove old gasket. Clean the gasket groove on the door and the chamber face. For easy installation of the new gasket begin installing the gasket at the bottom of the door. Install the left and right sides and finish at the top. Make sure that the gasket fits evenly and flush all the way around.
M9	1	053-0366-00	
M11	1	053-0527-00	
<input type="checkbox"/> <b>Dam Gasket</b>			To install the door dam gasket, align and place the dam gasket on and over the door studs. The dam should lie flat against the door and the bottom edge should be tucked into the center v-groove of the door gasket.
M9	1	053-0903-00	
M11	1	002-0508-00	
<input type="checkbox"/> <b>Door Spring(s)</b>	See Notes	050-2347-00	Remove old spring. Reuse the screw to install new door spring(s) at the approximate angle shown below. <u>M9 = 1 door spring</u> <u>M11 = 2 door springs on top of each other.</u>
<input type="checkbox"/> <b>Filter Kit</b>	1	002-0360-00	Remove trays and tray rack from chamber and clean. Clean chamber. Twist and pull to remove filters from holes located in bottom and back wall of chamber. Press firmly to seat new filters in holes.

**Caution**  
 Allow sterilizer to cool completely before installing Maintenance Kit.



MA8775-11

