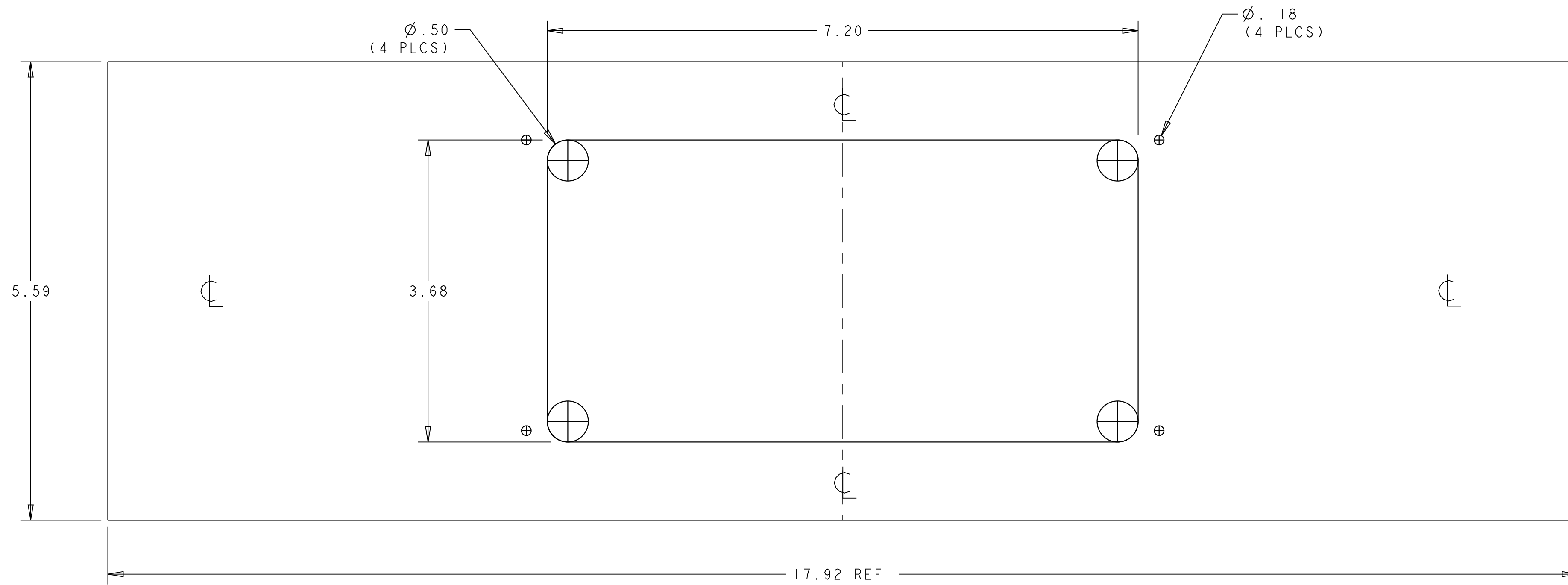
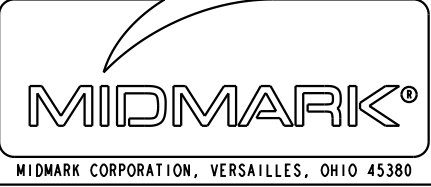


QUICKCLEAN ULTRASONIC DISPLAY CUTOUT INSTRUCTIONS

1. ENSURE THAT THE QUICKCLEAN ULTRASONIC DISPLAY CUTOUT TEMPLATE IS FOR THE INSTALLATION OF A MIDMARK QUICKCLEAN QC3-01 OR QC6-01 ULTRASONIC
2. LOCATE THE TEMPLATE ON THE DRAWER FALSE PANEL AT THE DESIRED LOCATION USING THE CENTERLINES (LEFT-RIGHT) AND (TOP-BOTTOM) TO CENTER THE CUTOUT ON THE FALSE PANEL.
3. ONCE THE TEMPLATE IS LOCATED IN THE DESIRED LOCATION, TAPE THE TEMPLATE IN PLACE TO ENSURE NO MOVEMENT.
4. USING A DRILL AND 1/2" BIT, DRILL THE (4) CORNER HOLES AT THE LOCATIONS SHOWN AS WELL AS A #31 BIT TO PRE-DRILL THE (4) SCREW MOUNTING HOLES.
5. REMOVE THE TEMPLATE AND DRAW A STRAIGHT LINE CONNECTING THE OUTSIDE TANGENT POINTS OF EACH 1/2" DIA. HOLE TO REPRESENT THE DISPLAY CUTOUT.
6. APPLY A LAYER OF PAPER TAPE TO THE BOTTOM SURFACE OF A SABER SAW, MAKING CERTAIN THAT NO METAL IS EXPOSED. THIS WILL PREVENT SCRATCHING OF THE COUNTERTOP.
7. USING THE SABER SAW AND A SMOOTH CUT WOOD BLADE (32 TEETH/INCH), FOLLOW AND CUT THE CUTOUT LINE PERIMETER.



- NOTES:
1. MATERIAL: 60# WHITE OFFSET PAPER.
 2. INK COLOR: BLACK
 3. PART TO BE SUPPLIED FOLDED; APPROX. 8.25" X 10.75".
 4. FULL SIZE PRINT ON SHEET 2.

ITEM	QTY	PART NUMBER	DESCRIPTION
MATERIAL SPEC			
UNSPECIFIED GENERAL TOLERANCES		 MIDMARK CORPORATION, VERSAILLES, OHIO 45380	
ANGULAR +/- 2.0°			
ECO NO	DATE	CH BY	CHANGE
ECO053240	5/8/17	KFS	RELEASED
REV	AA1	FRACTIONAL +/- 0.1	
REV	AA1	DECIMAL .XX +/- 0.03	
REV	AA1	DECIMAL .XXX +/- 0.015	
APPROVED BY			DATE
KSCHMITZ			04/14/17
PART NAME			TEMPLATE, DISPLAY CUTOUT, QC(X)R
PART NUMBER			003-10059-00
REV			AA1

THIS PRINT AND THE INFORMATION CONTAINED THEREIN ARE PROPERTY OF MIDMARK CORPORATION AND ARE FURNISHED TO THE HOLDER IN CONFIDENCE AND ARE NOT TO BE REPRODUCED, USED, OR DISCLOSED TO OTHERS WITHOUT THE EXPRESS WRITTEN PERMISSION OF MIDMARK CORPORATION

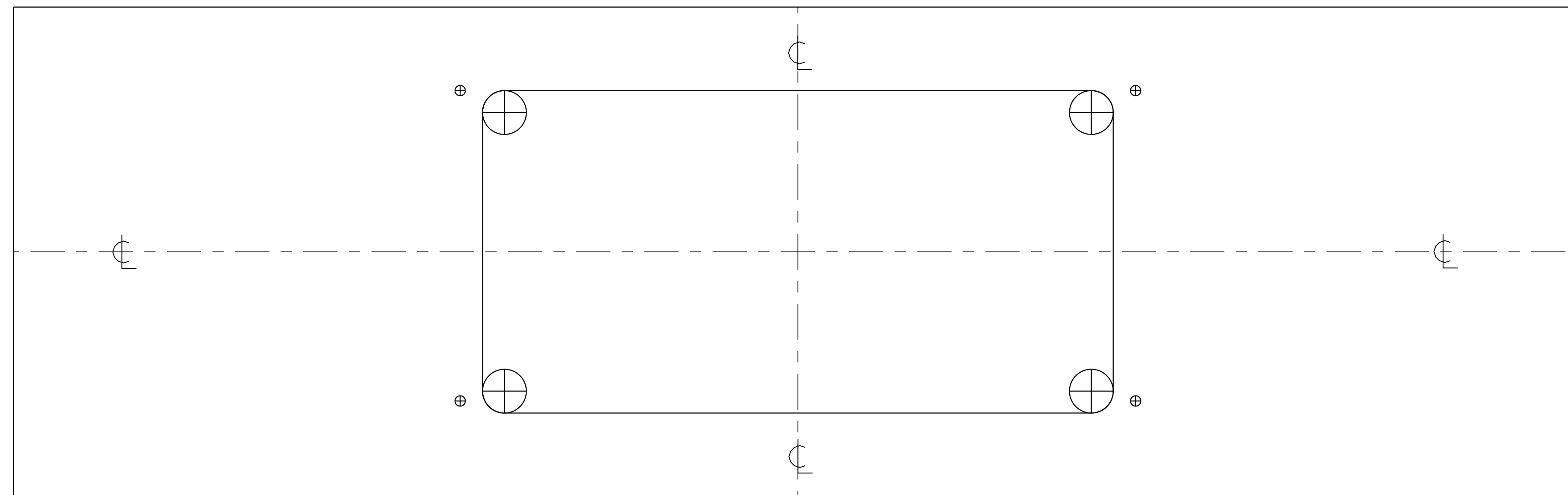
COMMERCIAL TOLERANCES SHALL APPLY ON BAR, ROD, WIRE, SHEET, ETC.

SHEET 1 OF 2

KSCSCHMITZ 5/12/2017 2:18:23 PM

QUICKCLEAN ULTRASONIC DISPLAY CUTOUT INSTRUCTIONS

1. ENSURE THAT THE QUICKCLEAN ULTRASONIC DISPLAY CUTOUT TEMPLATE IS FOR THE INSTALLATION OF A MIDMARK QUICKCLEAN QC3-01 OR QC6-01 ULTRASONIC
2. LOCATE THE TEMPLATE ON THE DRAWER FALSE PANEL AT THE DESIRED LOCATION USING THE CENTERLINES (LEFT-RIGHT) AND (TOP-BOTTOM) TO CENTER THE CUTOUT ON THE FALSE PANEL.
3. ONCE THE TEMPLATE IS LOCATED IN THE DESIRED LOCATION, TAPE THE TEMPLATE IN PLACE TO ENSURE NO MOVEMENT.
4. USING A DRILL AND 1/2" BIT, DRILL THE (4) CORNER HOLES AT THE LOCATIONS SHOWN AS WELL AS A #31 BIT TO PRE-DRILL THE (4) SCREW MOUNTING HOLES.
5. REMOVE THE TEMPLATE AND DRAW A STRAIGHT LINE CONNECTING THE OUTSIDE TANGENT POINTS OF EACH 1/2" DIA. HOLE TO REPRESENT THE DISPLAY CUTOUT.
6. APPLY A LAYER OF PAPER TAPE TO THE BOTTOM SURFACE OF A SABER SAW, MAKING CERTAIN THAT NO METAL IS EXPOSED. THIS WILL PREVENT SCRATCHING OF THE COUNTERTOP.
7. USING THE SABER SAW AND A SMOOTH CUT WOOD BLADE (32 TEETH/INCH), FOLLOW AND CUT THE CUTOUT LINE PERIMETER.



003-10059-00 REV AA1