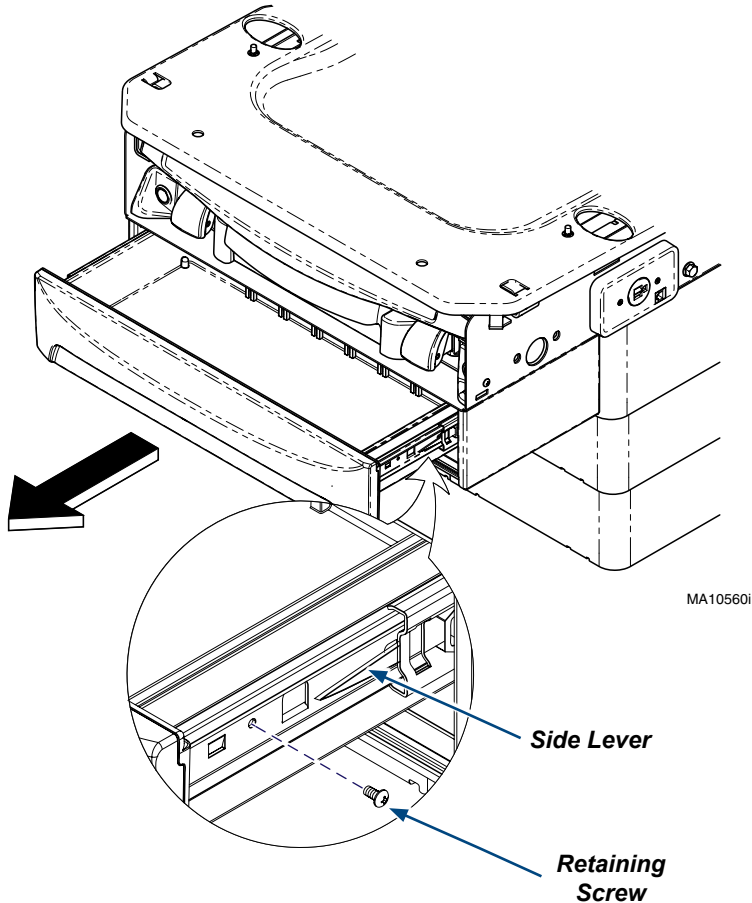
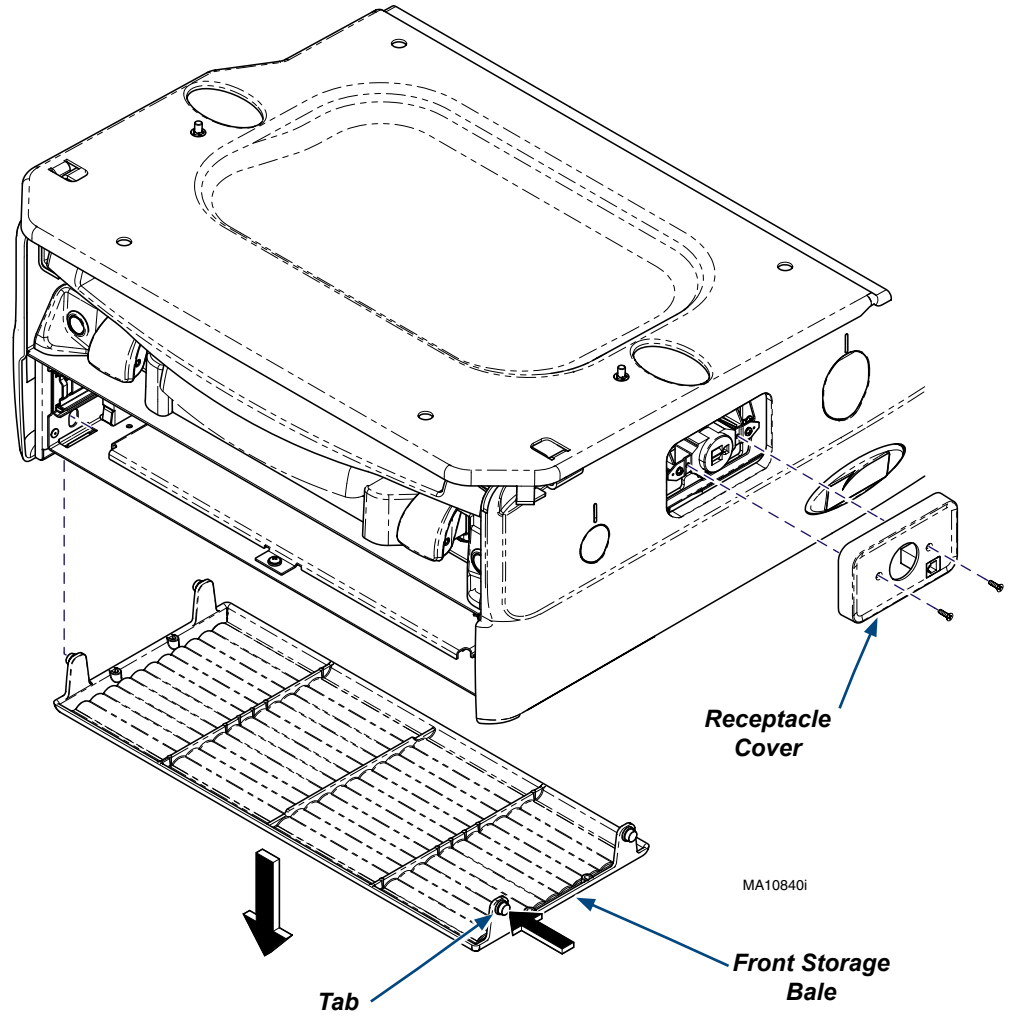


**Caution**  
 Always disconnect power to chair before removing covers or performing any service procedures.

**Step 1: Remove Front Drawer**  
 A) Remove Retaining Screw. (located on one side only)  
 B) Push LH side lever UP and RH side lever DOWN.  
 C) Remove drawer by pulling straight out.  
 Note: Side levers are clear plastic.



**Step 2: Remove Front Storage Bale and Receptacle Cover.**  
 A) Push tabs inward and pull down on Front Storage Bale to remove.  
 B) Remove left side (patient position) Receptacle Cover by removing two screws.



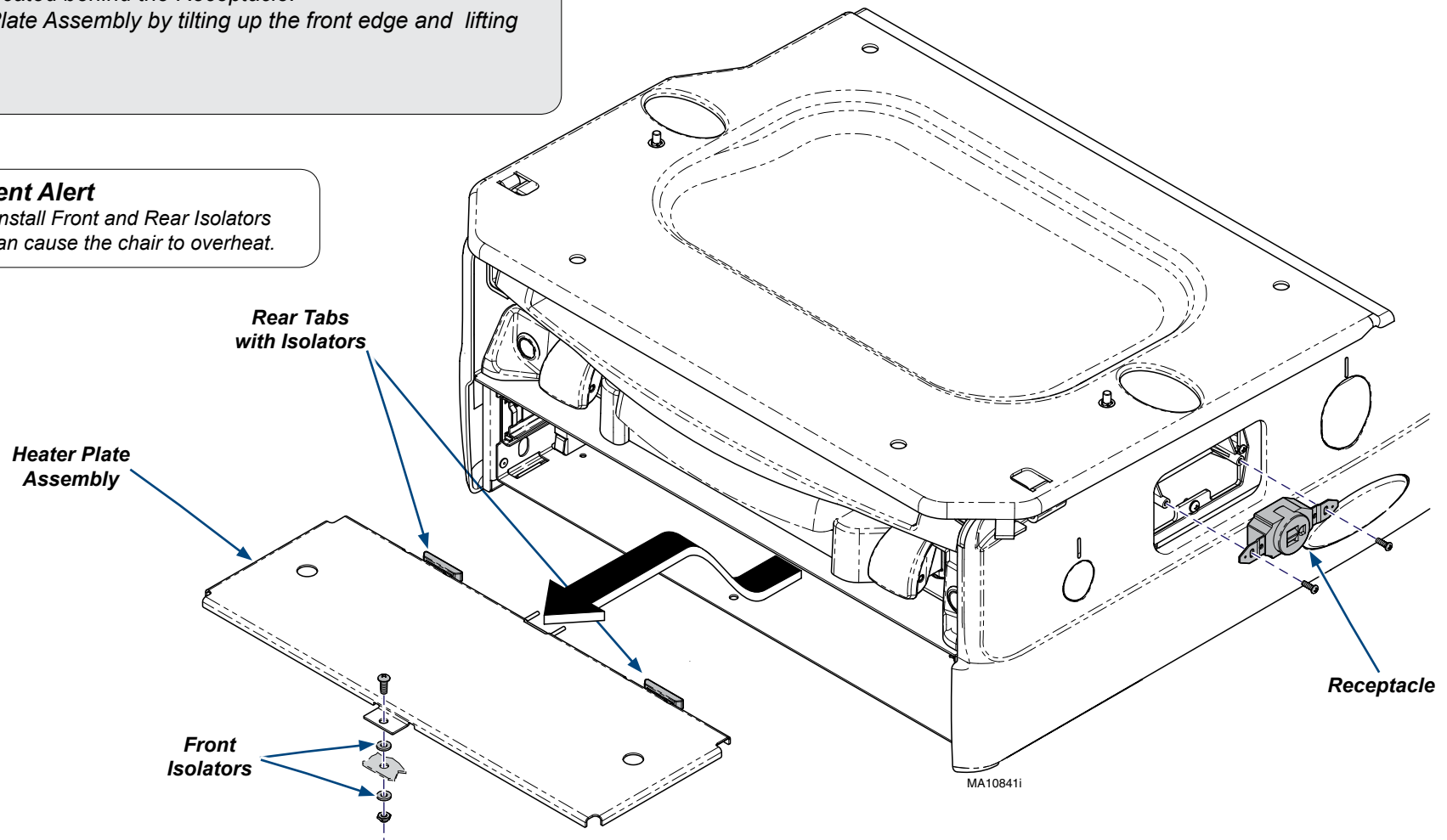
### Step 3: Remove Heater Plate Assembly and Receptacle.

- A) Remove screw, nut and Front Isolators from the Heater Plate assembly.
- B) Remove the Receptacle and disconnect the Heater Plate Assembly wire connection located behind the Receptacle.
- C) Remove Heater Plate Assembly by tilting up the front edge and lifting up and out.



#### Equipment Alert

Failure to install Front and Rear Isolators correctly can cause the chair to overheat.



### Step 4: Reassemble Heater Plate Assembly. (Reverse Order)

- A) Install Heater Plate Assembly by tilting the Rear Tabs with Isolators down into the slots, lower the front.
- B) Install the Front Isolators on both sides of the chair frame isolating the nut and the Heater plate assembly from the chair. Secure with nut and screw.
- C) Connect wires to the Heater Plate Assembly (Behind the Receptacle).
- D) Install the Receptacle and Receptacle Cover.
- E) Install the Front Storage Bale and the front Drawer.