

225 Back Actuator Assembly / Back Actuator Motor Installation [002-10065-00 / 002-10066-00]

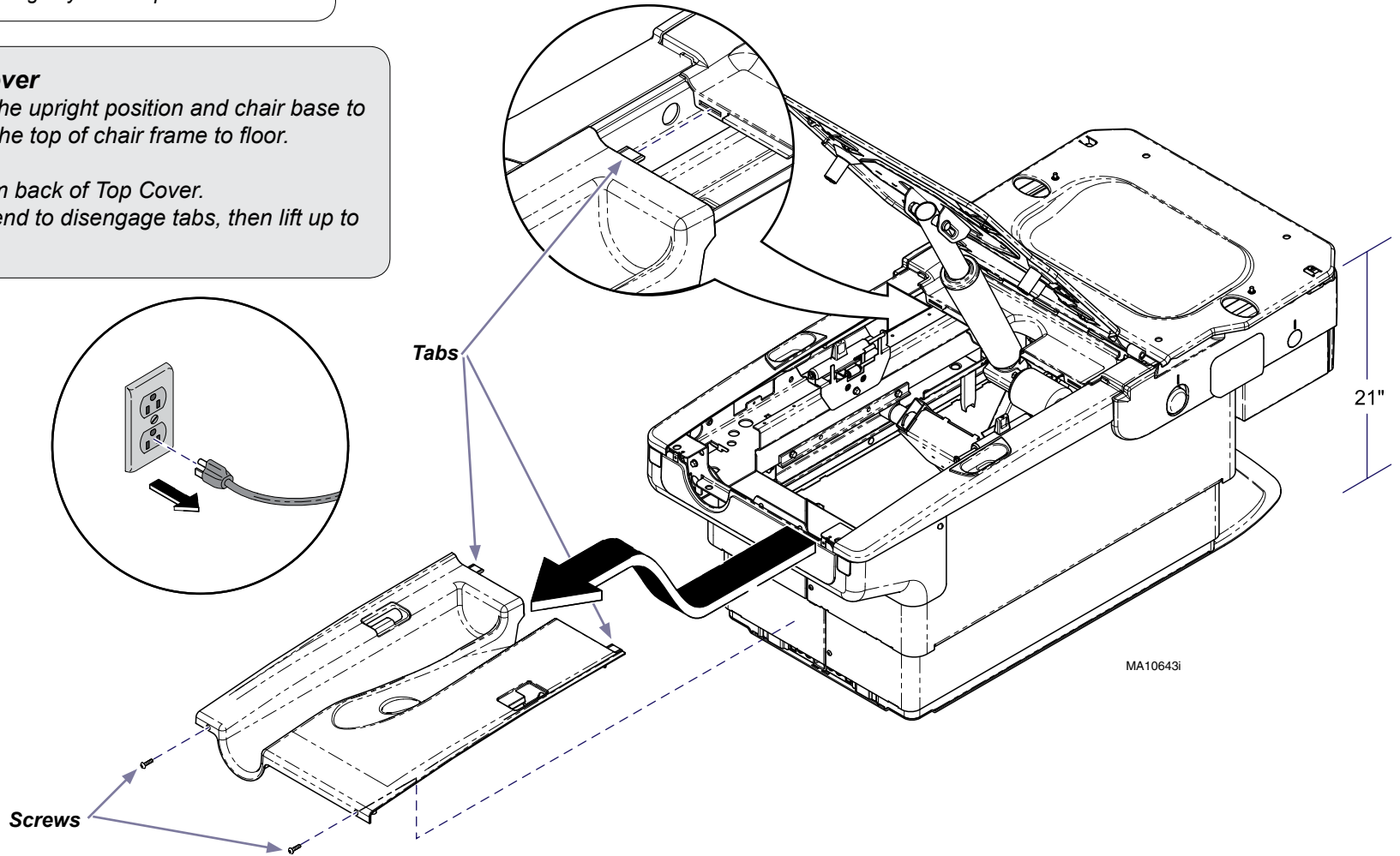
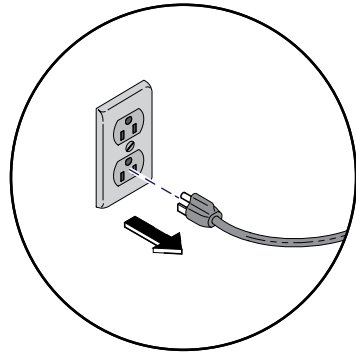


Caution

Always disconnect power to chair before removing covers or performing any service procedures.

Step 1: Remove Top Cover

- A) Raise chair backrest to the upright position and chair base to approximately 21" from the top of chair frame to floor.
- B) Unplug chair.
- C) Remove two screws from back of Top Cover.
- D) Pull cover toward head end to disengage tabs, then lift up to remove cover.



MA10643i

Note

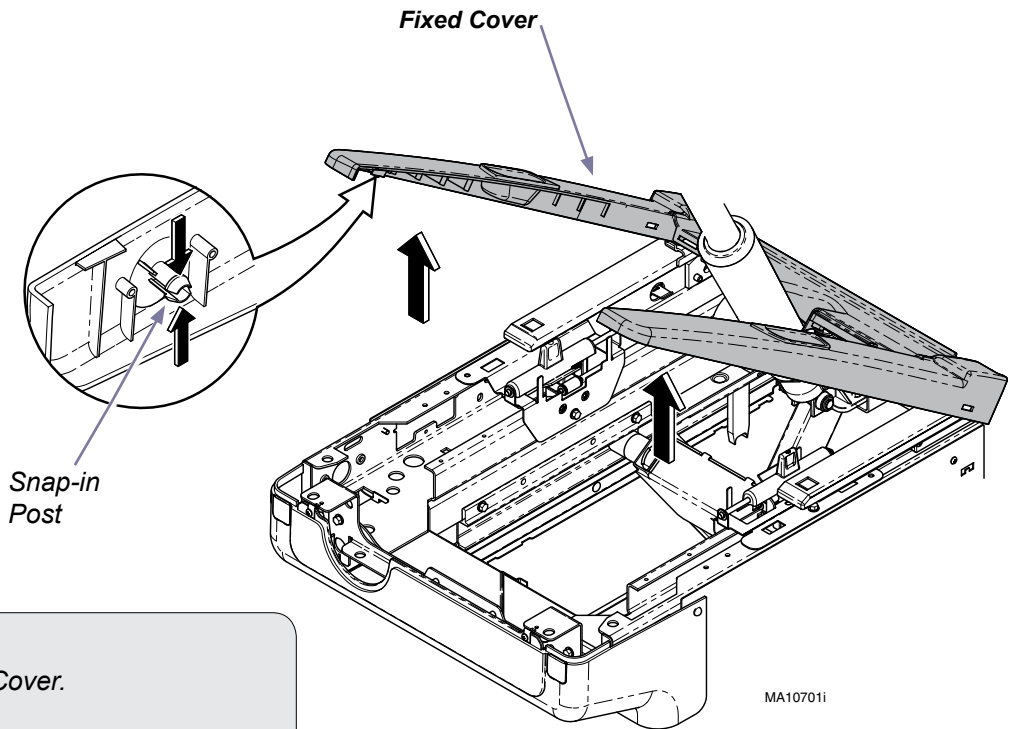
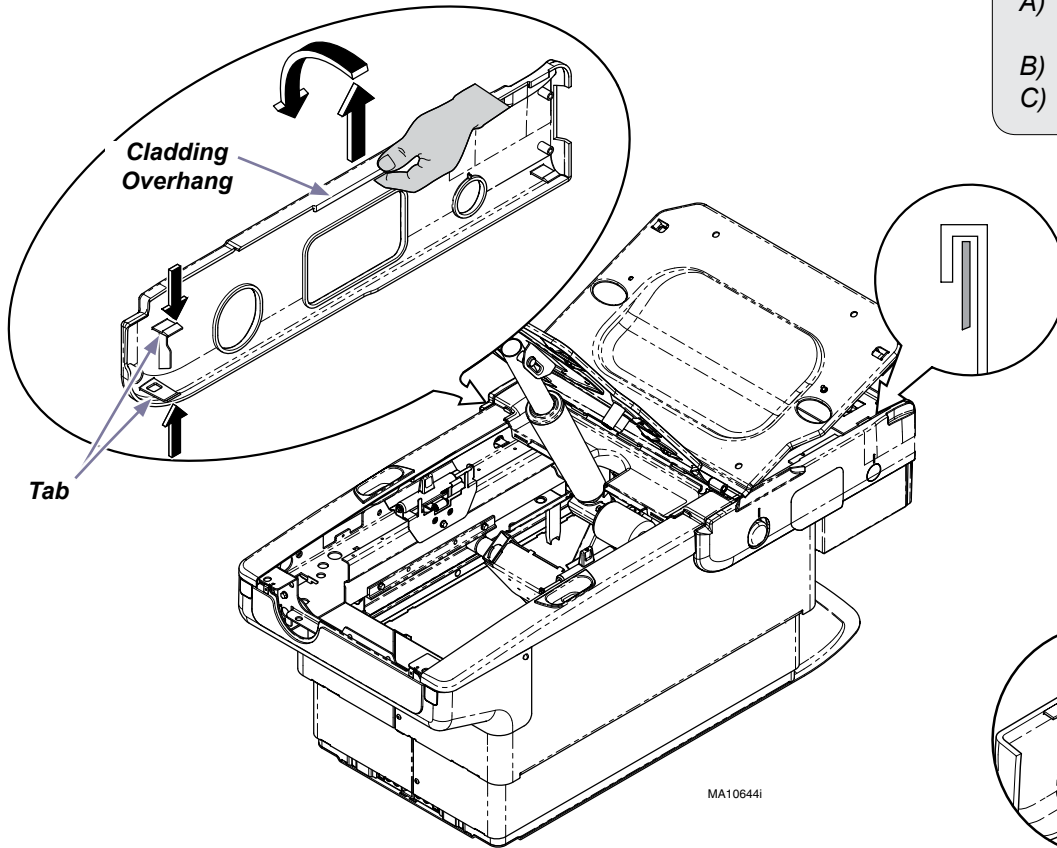
For parts list, refer to the 626 Service and Parts manual.

Note

Remove all accessories (ex. chair arms) before performing this procedure.

Step 2: Remove Side Cladding.

- A) Locate tabs inside at center of chair (footrest must be extended). Push down on top tab and up on bottom tab. Pull cladding away from chair.
- B) Pull up on Cladding overhang, and remove.
- C) Repeat process for opposite side.



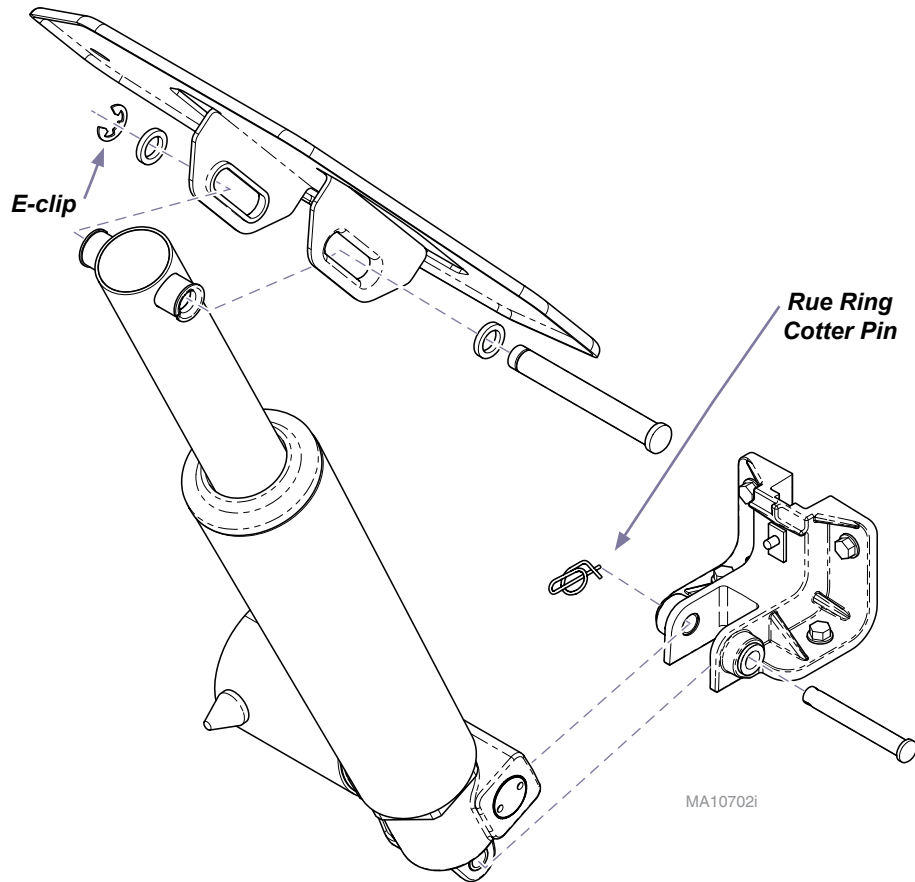
Step 3: Disconnect Back Actuator Motor Wires.

- A) Squeeze Snap-in Post together on the bottom corners of the Fixed Cover.
- B) Tilt up Fixed cover up to access back motor wire connections.
- C) Disconnect Back Actuator Motor wire connections and remove grounding bracket.

Actuator Replacement...

Step 4A: Replace Back Actuator Assembly.

- A) Remove e-clip and top clevis pin
- B) Remove rue ring cotter pin and bottom clevis pin.
- C) Install new actuator with clevis pins, rue ring cotter pin and e-clip.
- D) Connect actuator motor wire harness and grounding bracket.
- E) Install covers and cladding.



Motor Replacement...

Step 4B: Replace Back Actuator Motor.

- A) Remove e-clip and top clevis pin
- B) Remove rue ring cotter pin and bottom clevis pin.
- C) Remove motor from actuator by removing two nuts.
- D) Align Coupler, install new motor, reuse Spacer and two isolators.
- E) Install actuator with clevis pins, rue ring cotter pin and e-clip.
- F) Connect actuator motor wire harness and grounding bracket.
- G) Install covers and cladding.

