

# Control Cable 12 Pin Kit Installation [002-10312-00]

**Applies to Models:**

QC3(R) -01

QC6(R) -01

**Special Tools:**

none

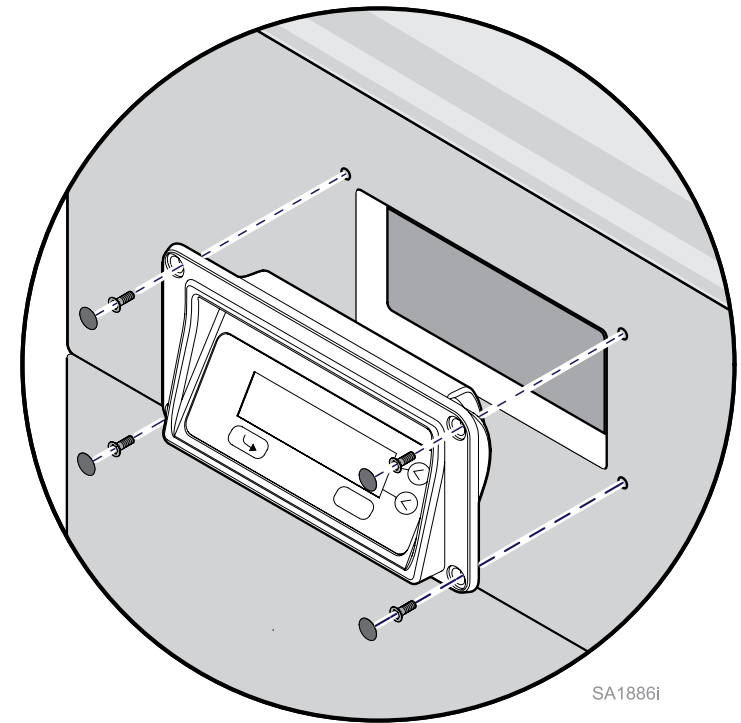
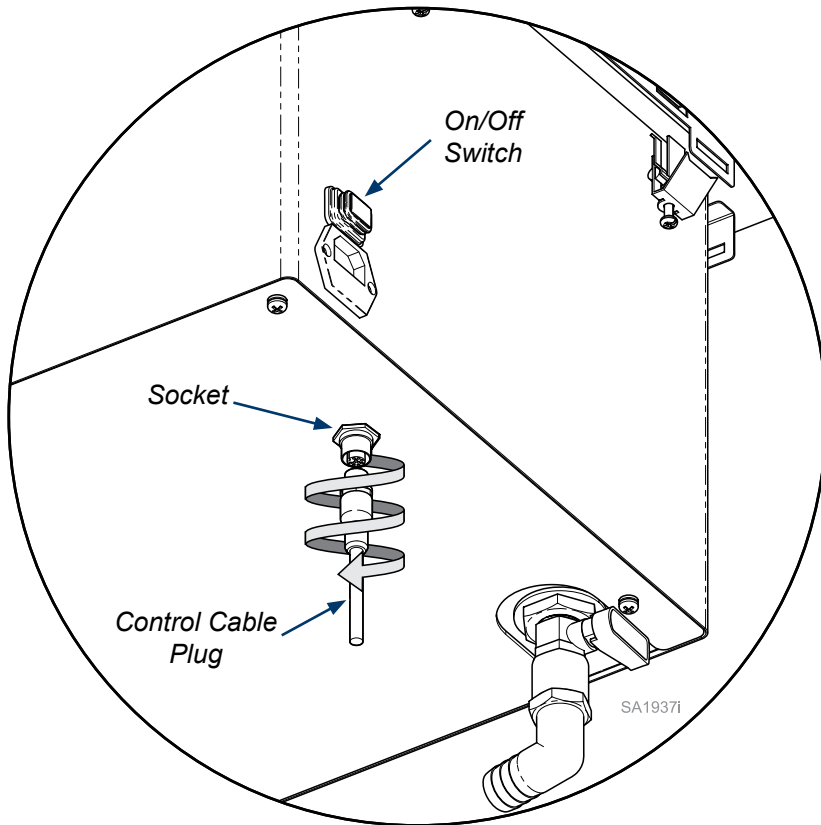


**WARNING**

To prevent risk of shock always disconnect power before removing covers or performing any service procedure.

**Step 1: Power Off and Remove Control Cable Plug From Socket.**

- A) Turn power off and unplug the main power cord.
- B) Remove Control Cable Plug from Socket at the bottom of the tank.

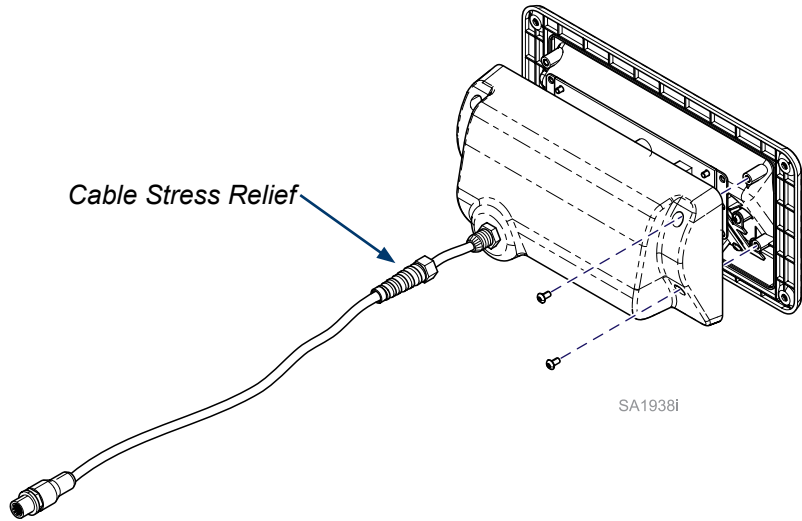


**Step 2: Remove Ultrasonic Control Panel.**

- A) Remove screw covers, and screws securing Control Panel to cabinet face.
- D) Remove Control Panel and Control cable from cabinet.

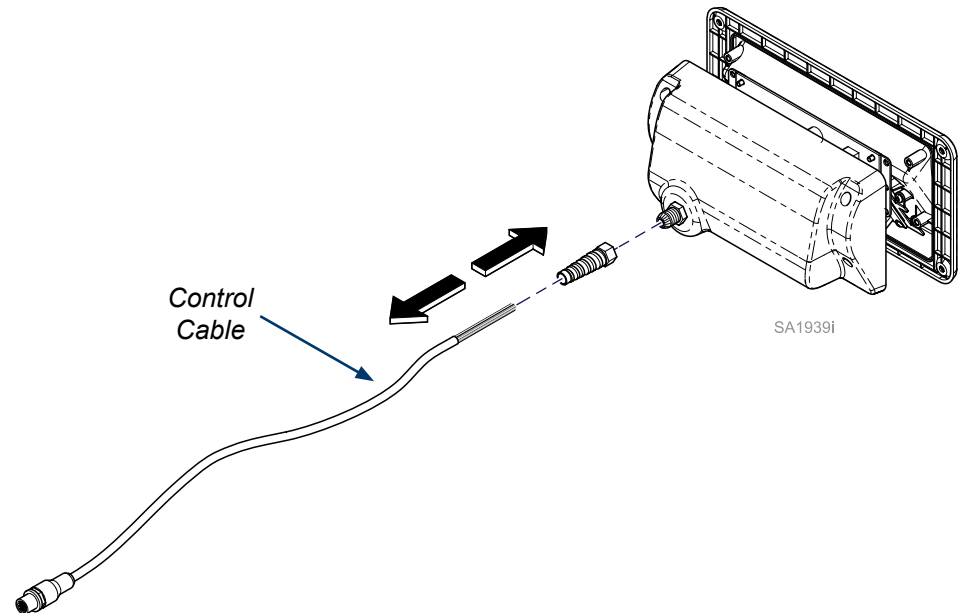
**Step 3: Open Ultrasonic Control Panel.**

- A) Loosen/unthread the Cable Stress Relief, and slide it down the cable.
- B) Remove four screws holding the back cover onto the Control Panel, and remove.



**Step 4: Disconnect Control Cable From Control Panel.**

- A) Press down on connector tabs and remove wires from PC board. See next page.
- B) Remove Cable from Control Panel and slid off Cable Stress Relief.
- C) Slide new Cable into Cable Stress Relief and into back of Control Panel.



**Step 5: Connect Control Cable and Reassemble (Reverse Order)**

- A) Strip 1/4" to 3/8" of insulation from the wires.
- B) Insert wires into connectors as shown below.
- C) Secure Cable Stress Relief to Control Panel .
- D) Install Control Panel and connect Control Cable Plug to bottom of tank.

