

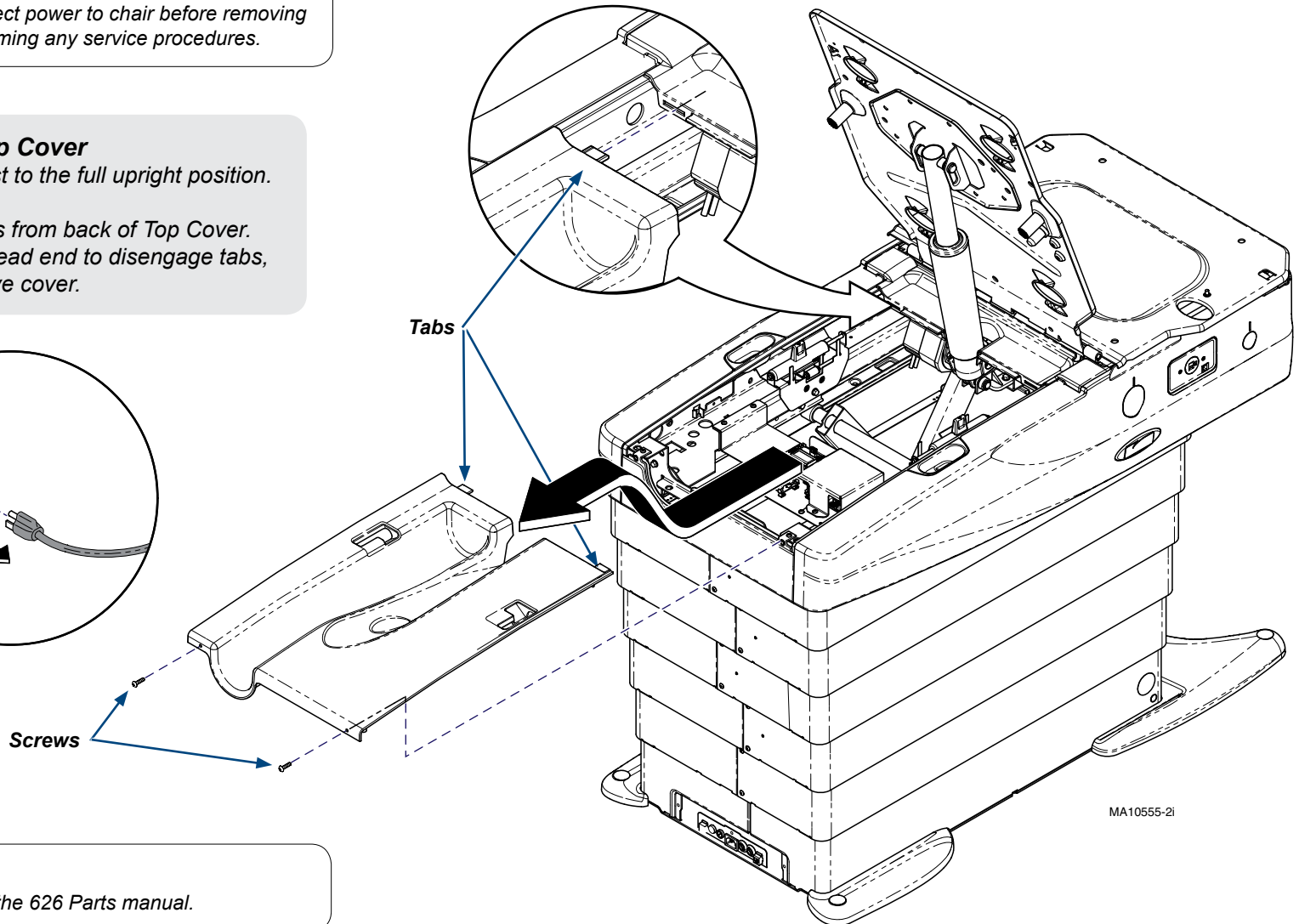
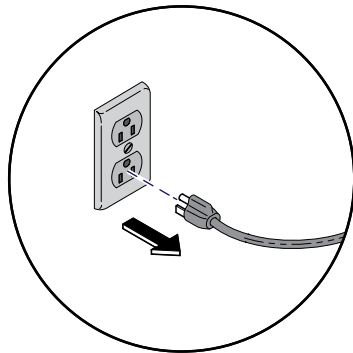


Caution

Always disconnect power to chair before removing covers or performing any service procedures.

Step 1: Remove Top Cover

- A) Raise chair backrest to the full upright position.
- B) Unplug chair.
- C) Remove two screws from back of Top Cover.
- D) Pull cover toward head end to disengage tabs, then lift up to remove cover.



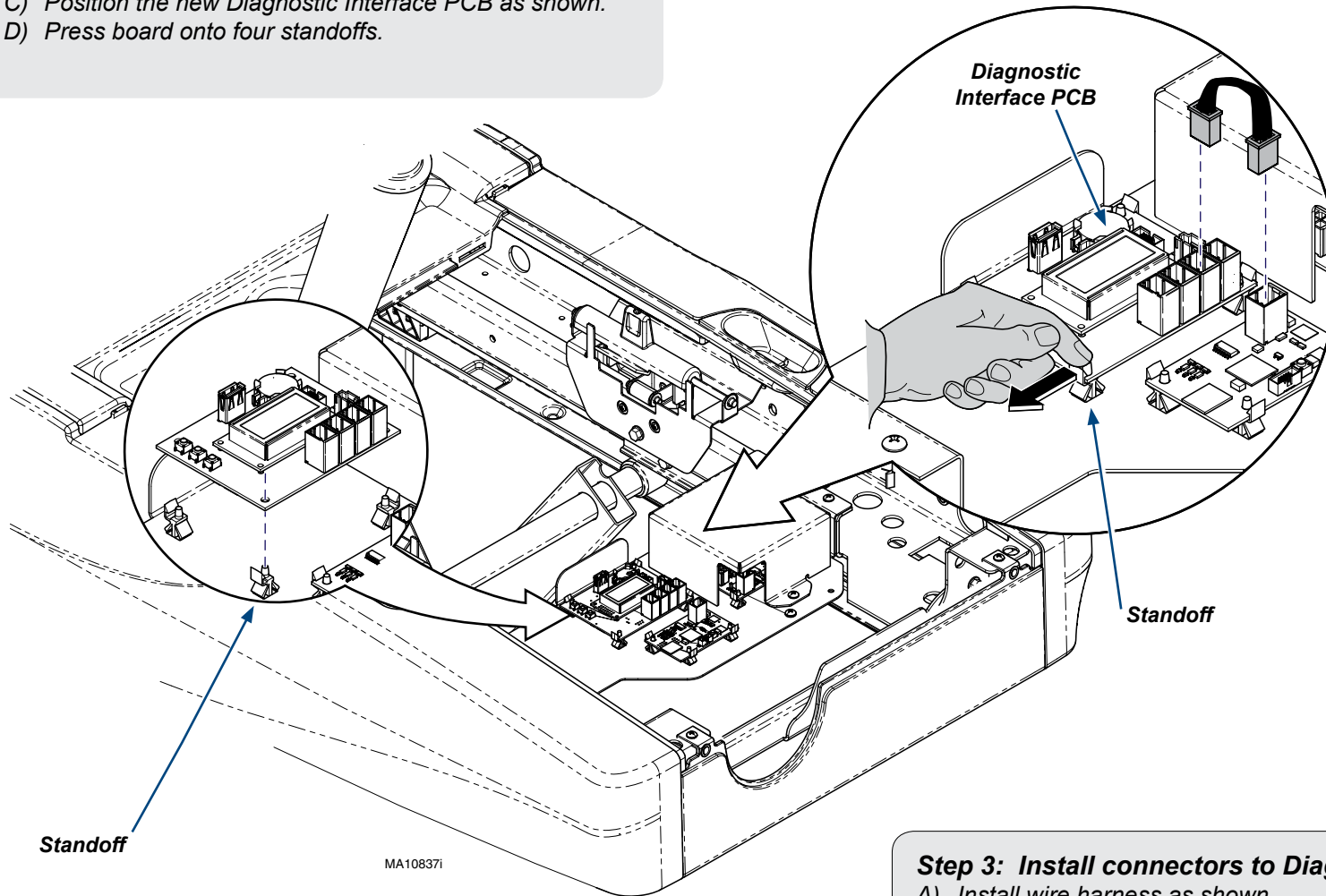
MA10555-2i

Note

For parts list, refer to the 626 Parts manual.

Step 2: Replace the Diagnostic Interface PCB.

- A) Remove wire connections to Diagnostic Interface PCB.
- B) Push four standoff tabs while pulling up on Diagnostic Interface PCB to release and remove the board.
- C) Position the new Diagnostic Interface PCB as shown.
- D) Press board onto four standoffs.



Step 3: Install connectors to Diagnostic Interface PCB.

- A) Install wire harness as shown.
- B) Plug in chair to verify power to Diagnostic Interface PCB.
- C) Display on the Diagnostic Interface PCB should illuminate.
- D) Unplug chair.
- E) Reinstall top rear cover.