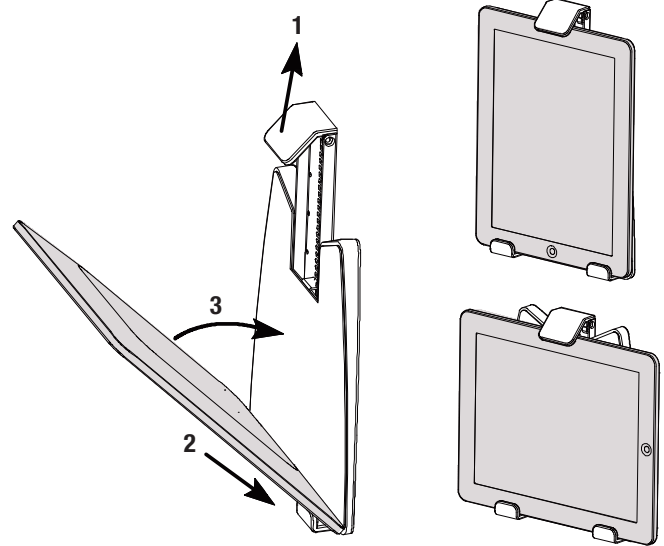
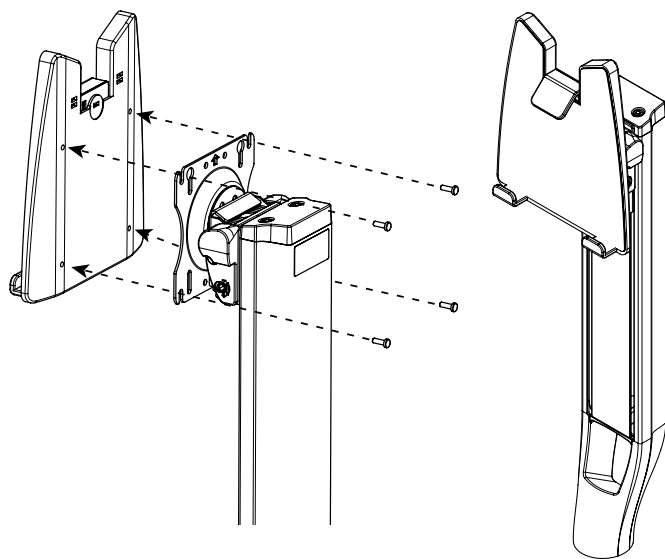


# SETUP GUIDE

## VESA Mount Tablet Holder



1. Align the four holes at the back of the tablet holder with the mounting holes on the VESA mount.
2. Secure with the four (4) screws provided with an Allen Key.

3. To mount a tablet, lift top clasp bar, place tablet on tablet holder and lower top clasp bar to secure tablet in place.

4. To counterbalance tablet holder:

