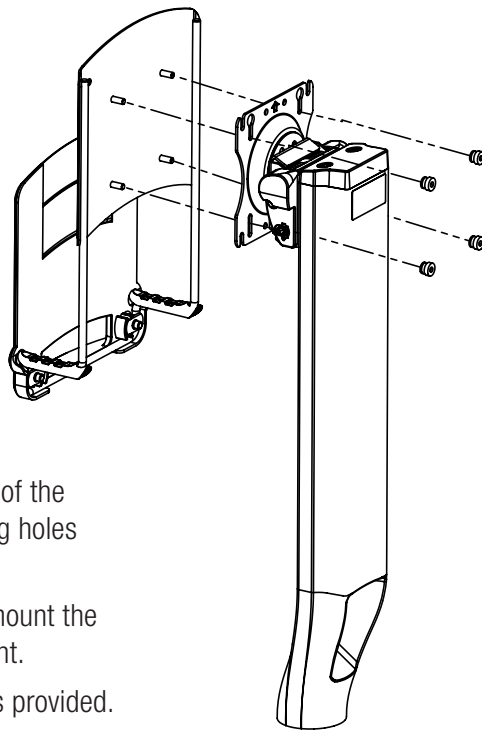


# SETUP GUIDE

## VESA Mount Laptop Holder

---



1. Align the four PEM studs at the back of the tablet/laptop holder with the mounting holes on the VESA mount.
2. With the four PEM studs as guides, mount the tablet/laptop holder to the VESA mount.
3. Secure with the four (4) thumb screws provided.

4. Slide the laptop into holder.

