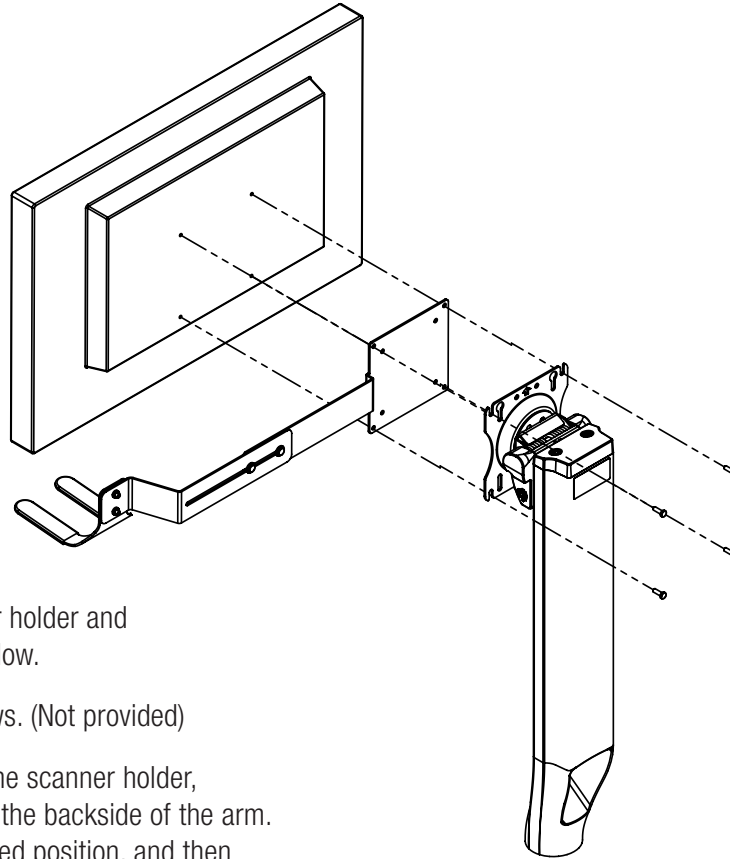


SETUP GUIDE

Midmark Scanner Holder



1. Align the monitor, scanner holder and VESA mount as shown below.
2. Secure with four (4) screws. (Not provided)
3. To adjust the position of the scanner holder, loosen the two screws on the backside of the arm. Move the arm to the desired position, and then retighten the screws.

