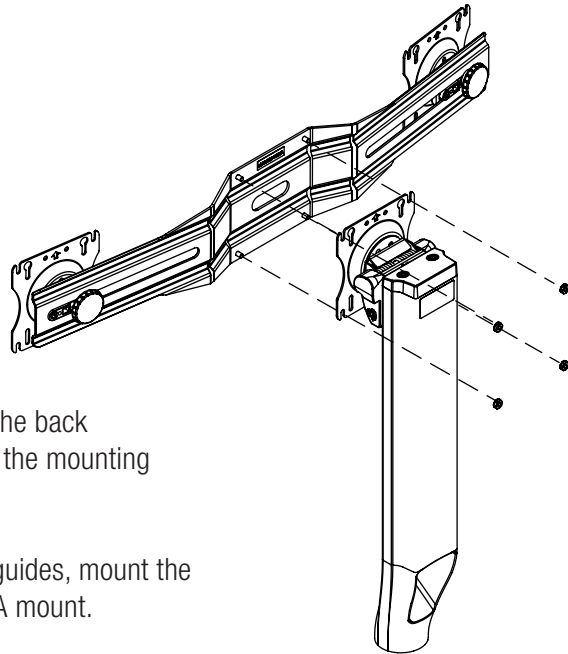


SETUP GUIDE

Midmark Dual Monitor Arm



1. Align the four PEM studs at the back of the dual monitor arm with the mounting holes on the VESA mount.
2. With the four PEM studs as guides, mount the dual monitor arm to the VESA mount.
3. Secure with four (4) nuts provided.
4. To adjust the position of each monitor, loosen the knob on the backside of the VESA mount. Move monitor to the desired position, and then retighten the knob.

Adjustable bracket supports most 24" monitors weighing up to 8 lbs each.

