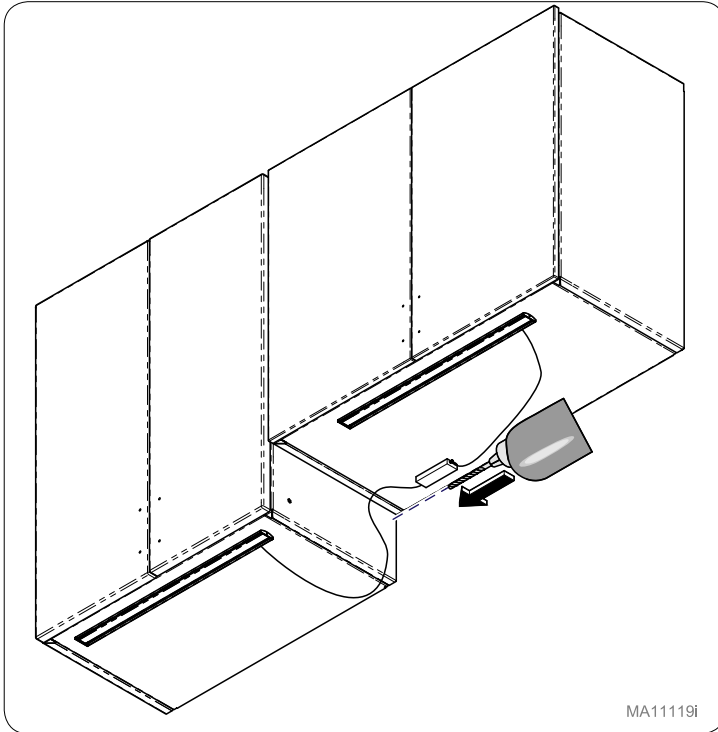


Task Light Cord Management

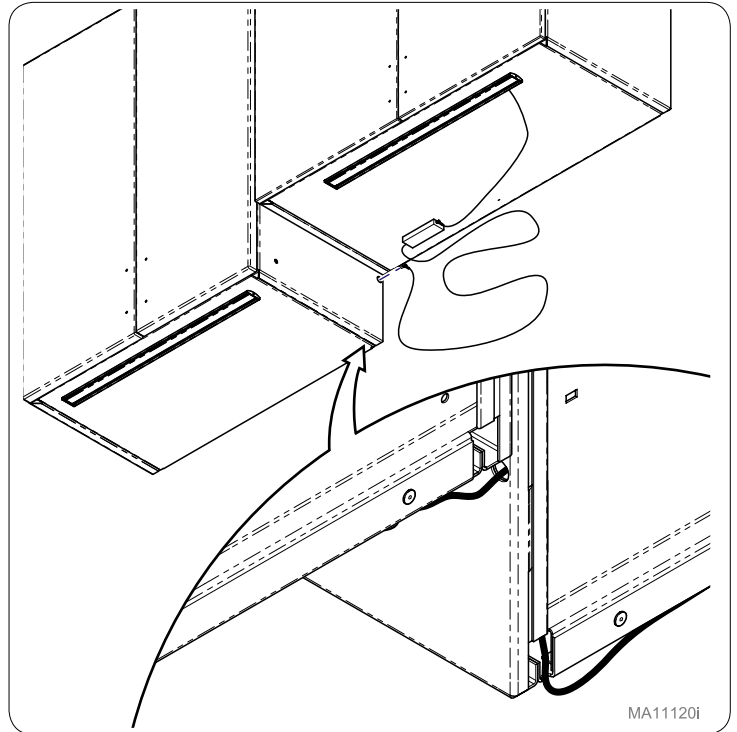
Step 1:

Drill hole into lower cabinet if needed.



Step 2:

Route cords as necessary for overhead cabinets.



Step 3:

Secure task light cord cover with self tapping screws (2). If wanted use plug covers as needed to cover holes in task light cord covers.

