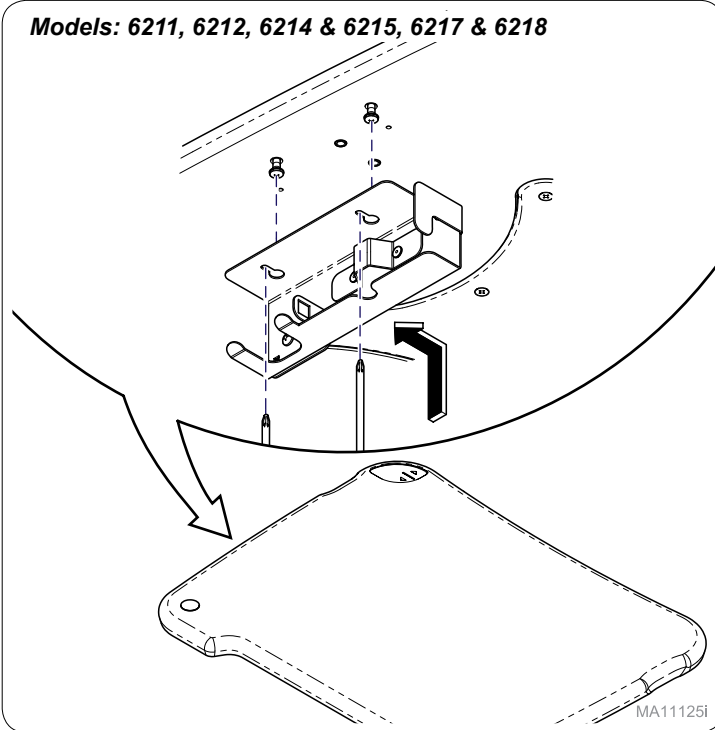


# Sheet Metal Cable Management [9A668001] Plastic Bin Cable Management [9A669001]



## Step 1:

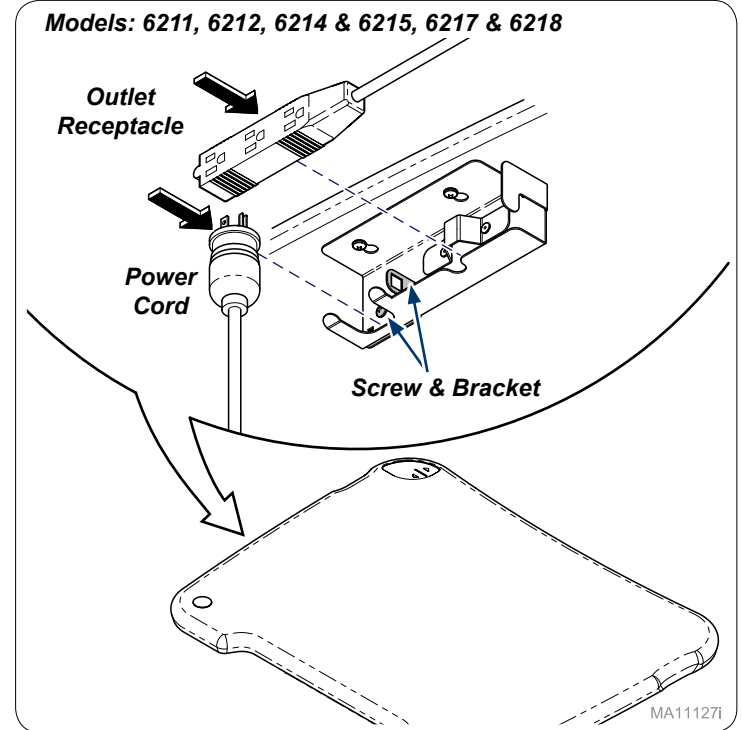
Install screws (2) partially to worksurface attach power cord bracket and tighten screws.



## Step 2:

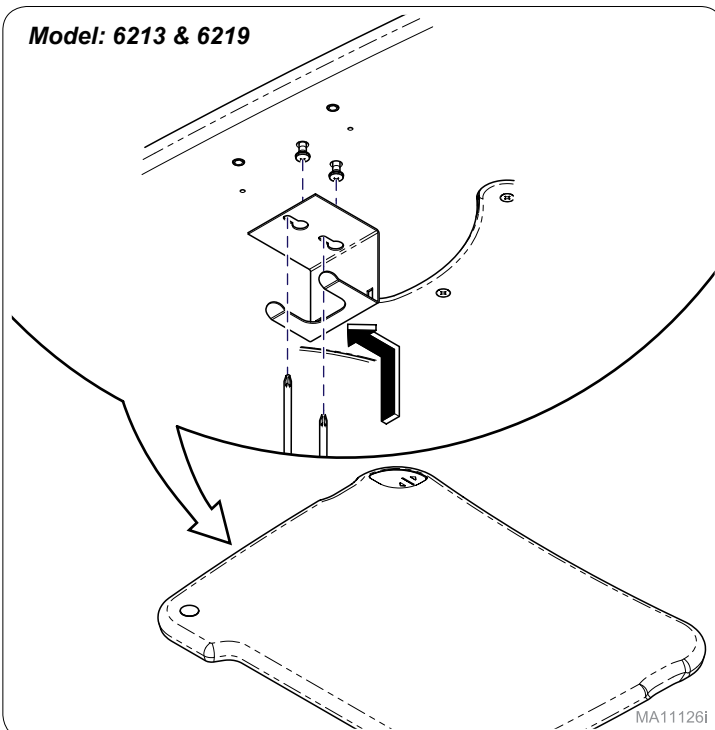
Place cord(s) into bracket as shown.

Note: Loosen screw and bracket to allow outlet receptacle placement.



## Step 1:

Install screws (2) partially to worksurface attach power cord support bracket and tighten screws.



## Step 2:

Loosening screws (4) and removing rear storage bin. Place outlet in bin with cord through opening on side of bin. Reattach bin, tighten screws, and hang cord on support bracket.

