

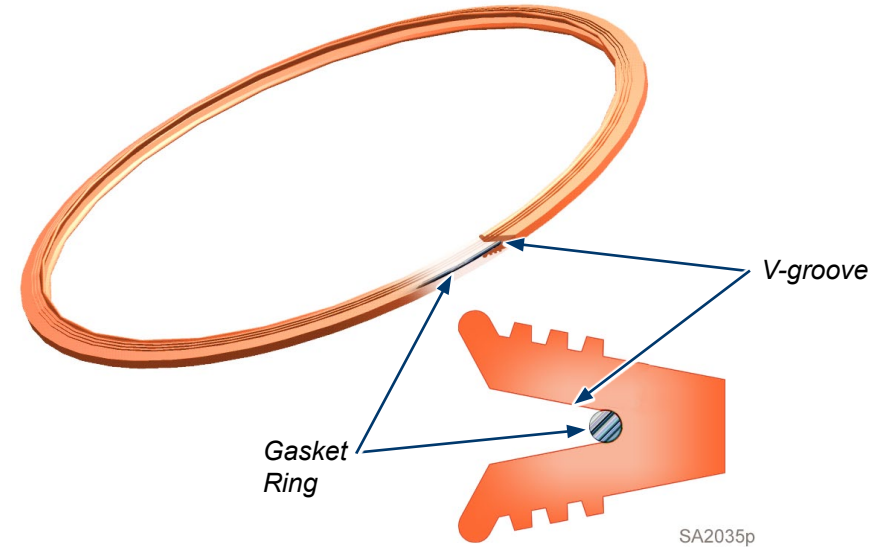
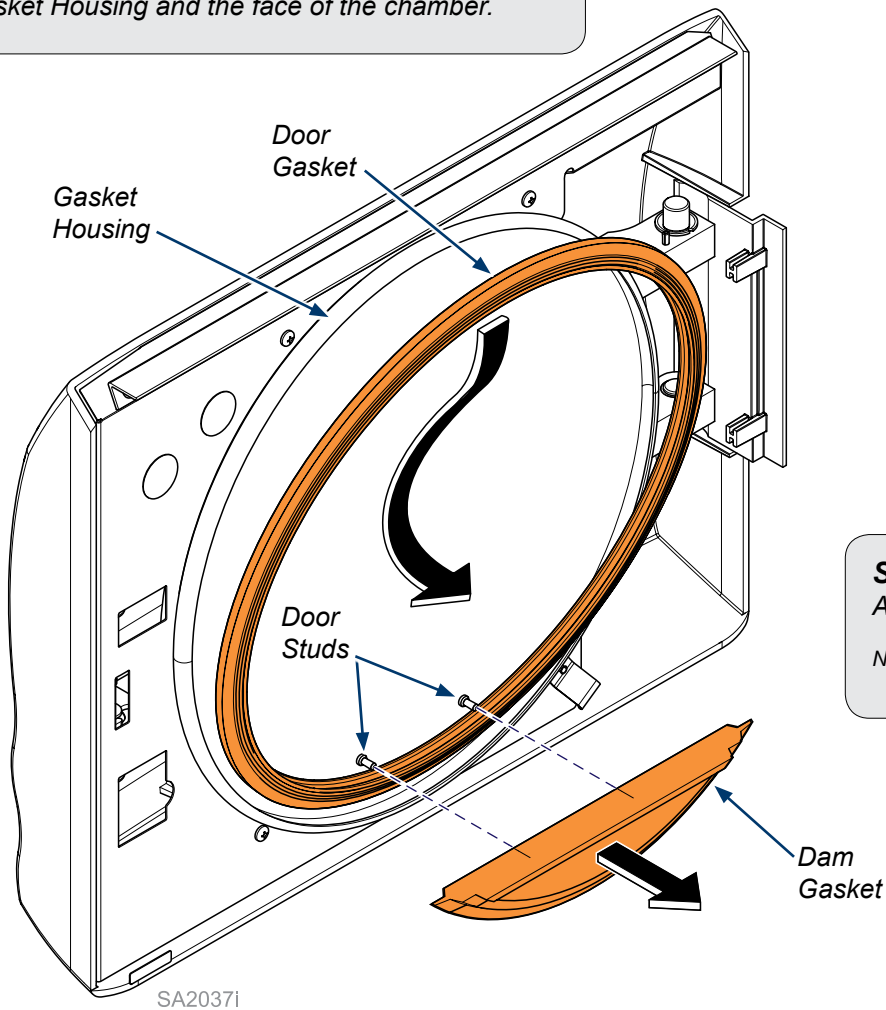


Caution

Allow sterilizer to cool completely before installing Maintenance Kit.

Step 1: Remove Old Door and Dam Gaskets.

- A) Remove Dam Gasket by pulling it off the Door Studs.
- B) Remove Door Gasket by pulling it out of the Gasket Housing.
- C) Clean the Gasket Housing and the face of the chamber.



Step 2: Install Gasket Ring into the Door Gasket V-groove.

- A) Insert Gasket Ring into the bottom of the Door Gasket V-groove.

Note: Start at one end and insert Gasket Ring continue up each side and into the other end. Take a mental note of where the Gasket Ring Weld is located for the next step.

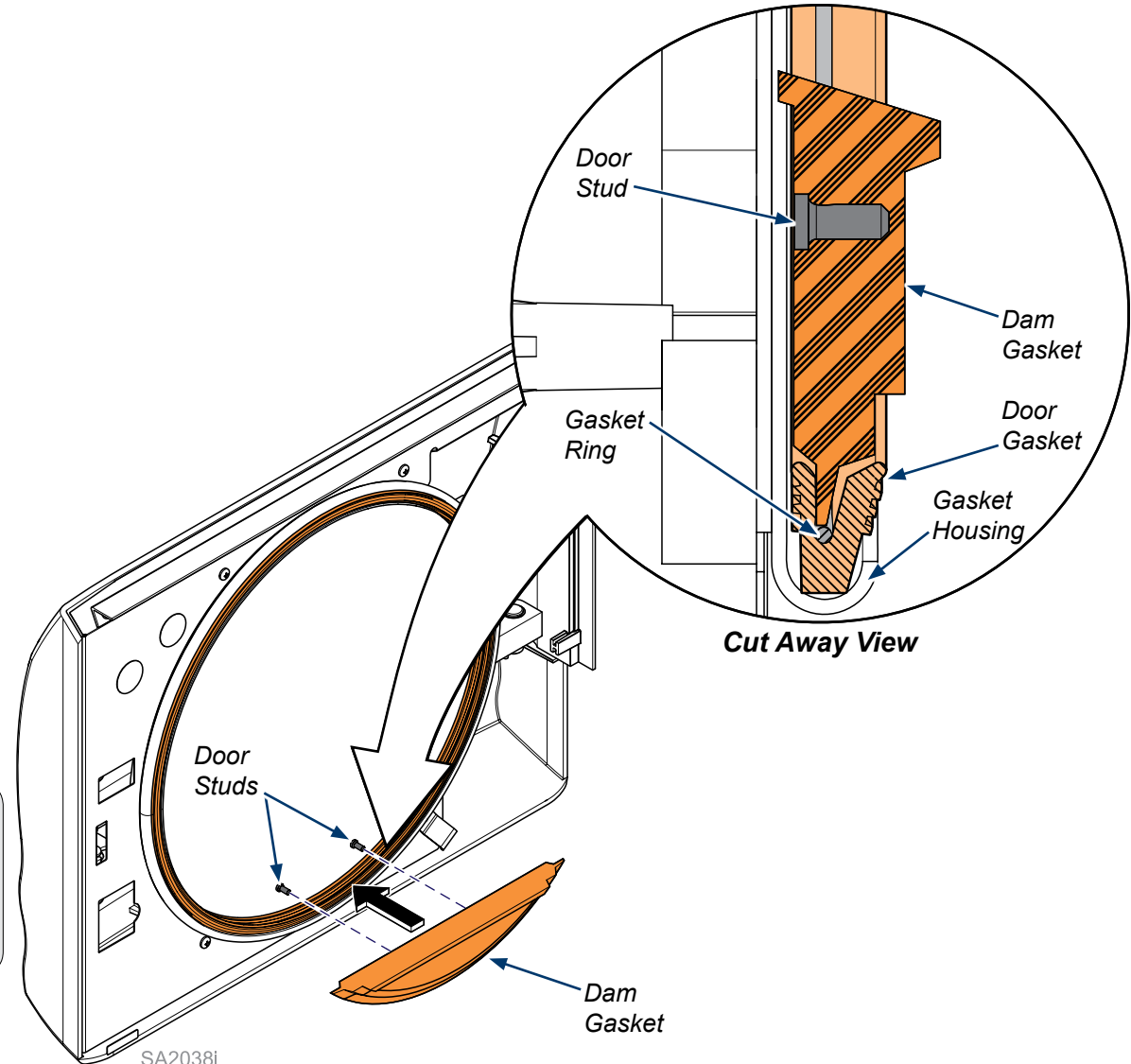
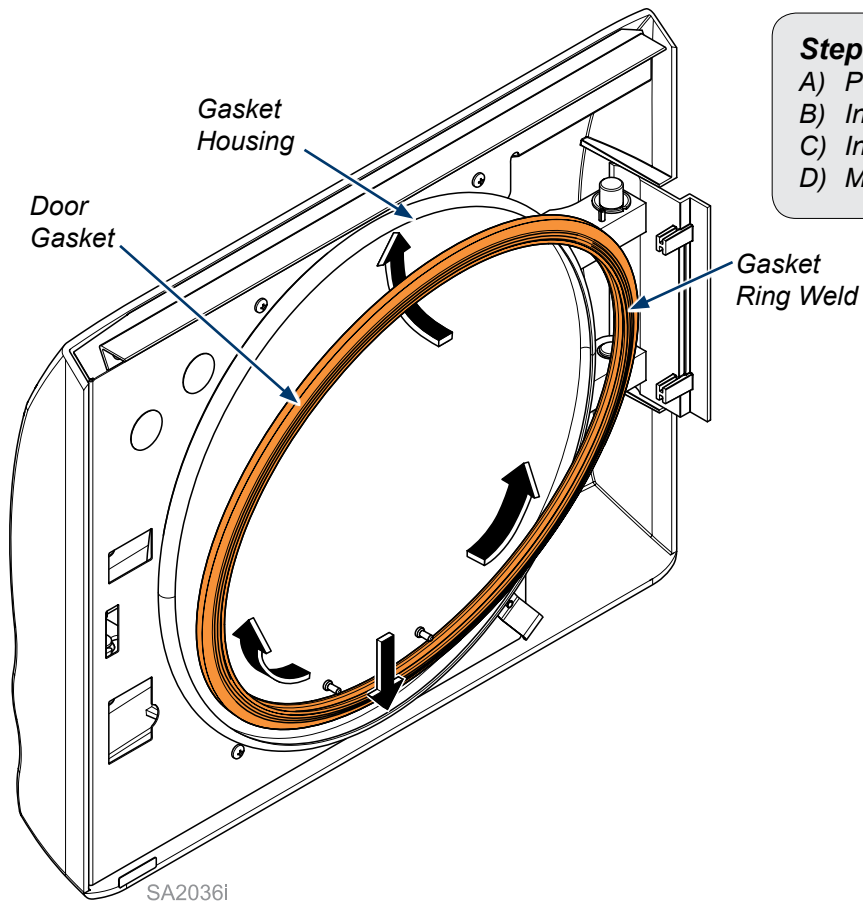
Step 3: Install Door Gasket.

- A) Position Door Gasket so Gasket Ring Weld is located in center of door hinges.
- B) Install Door Gasket into bottom of the Gasket Housing.
- C) Install left and right sides and finish at top.
- D) Make sure Door Gasket fits evenly and flush all the way around Gasket Housing.



Equipment Alert

For optimum Door Gasket operation orient Gasket Ring Weld between door hinges (3 o'clock) when looking at inside of door.



Step 4 : Install Dam Gasket.

- A) Align Dam Gasket holes over the Door Studs.
- B) Push Dam Gasket on to studs until it lies flat against the door.
- C) Tuck bottom edge of Dam Gasket into the center v-groove of Door Gasket.