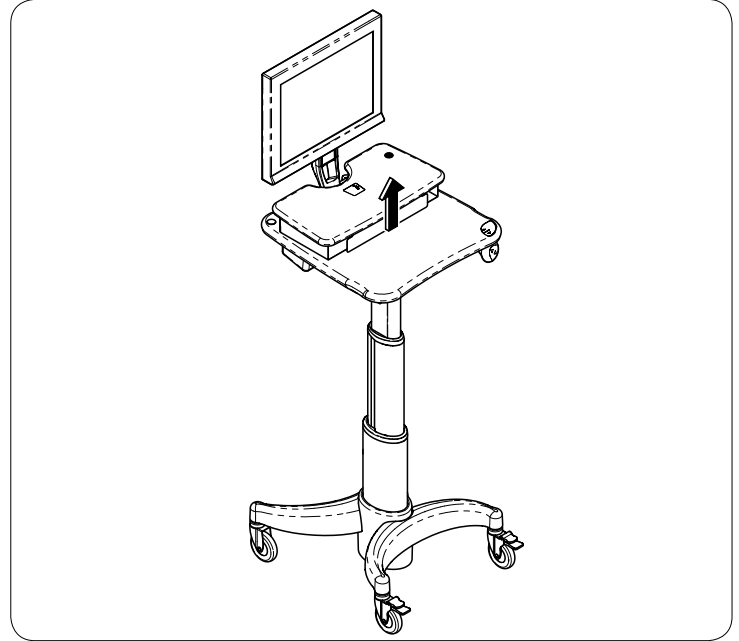
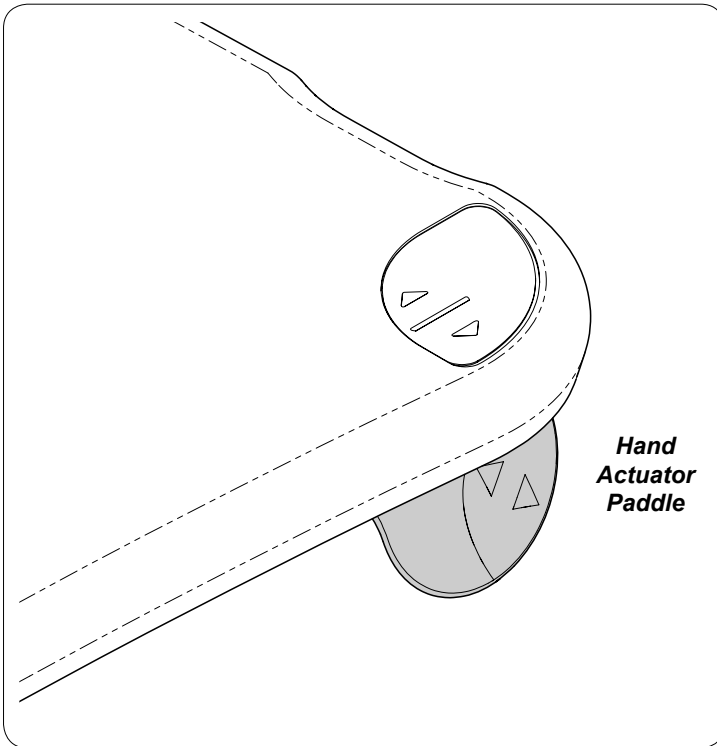


Hand Actuator Paddle Kit [002-10382-00]



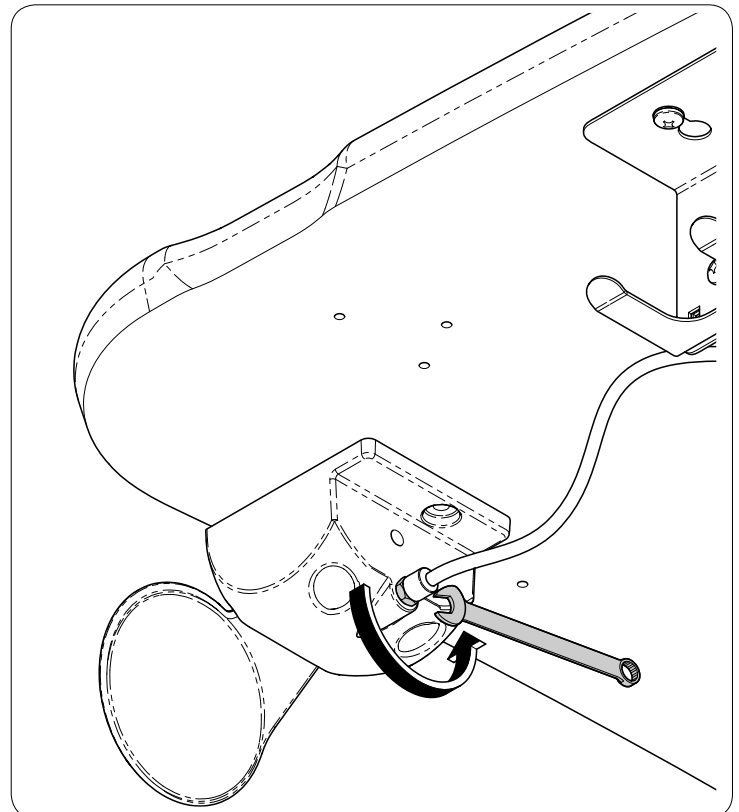
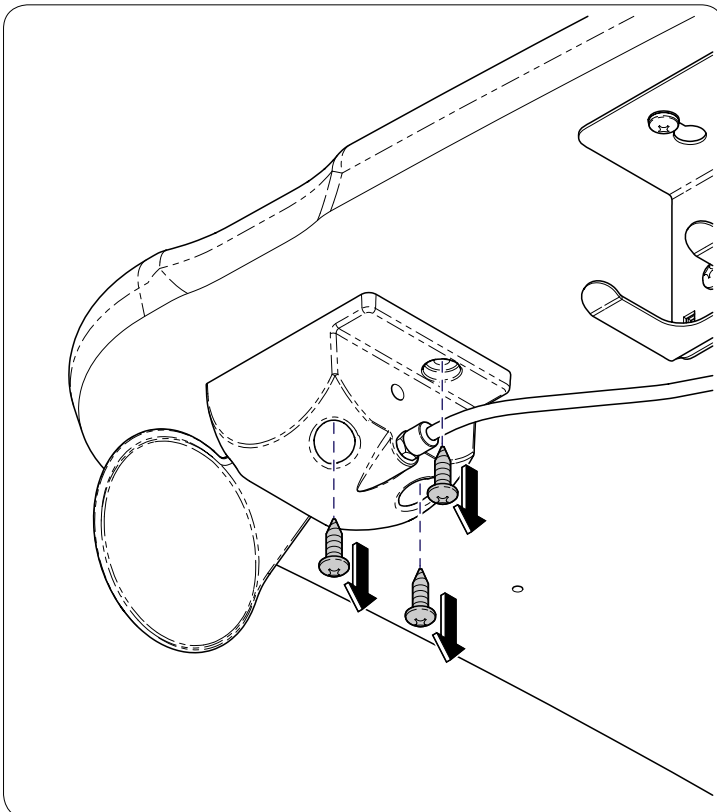
WARNING

Pressurized gas cylinder assembled in this workstation. Raise workstation to highest position before performing replacement to avoid injury.



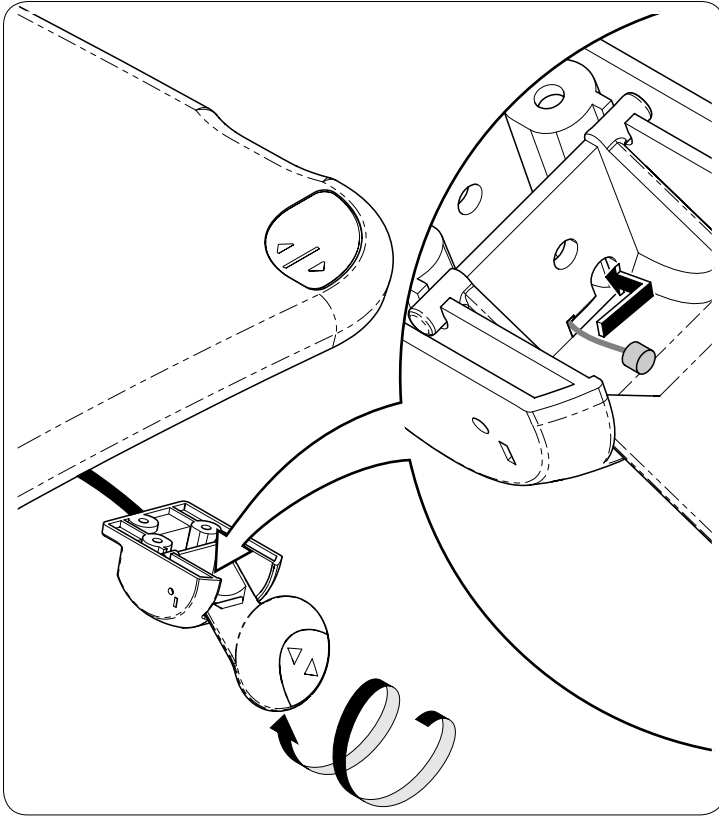
Step 1:
Remove actuator housing from bottom of worksurface by removing Screws (3).

Step 2:
Loosen nut on hand actuator paddle cable to release tension



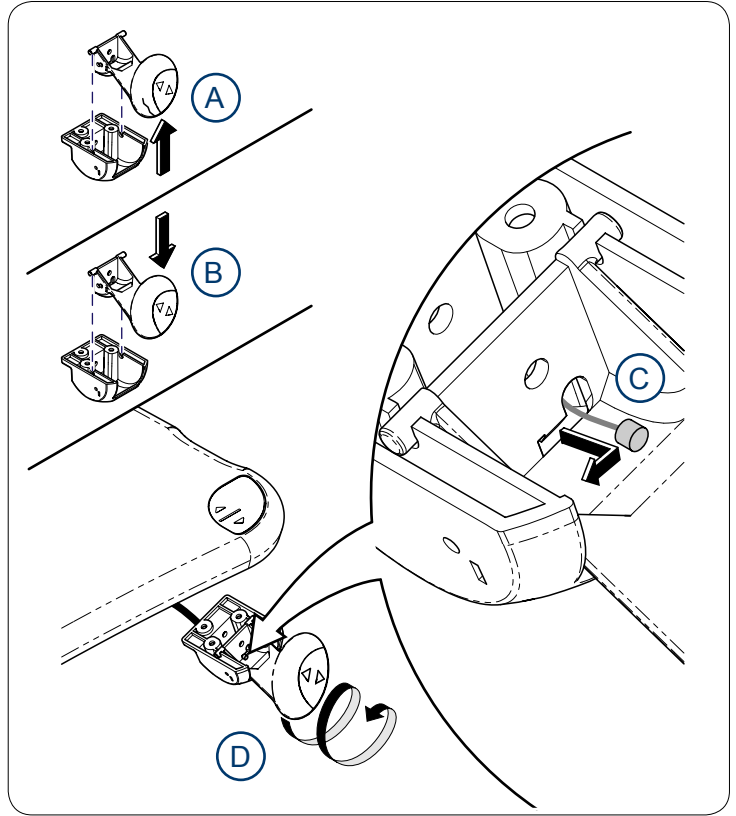
Step 3:

Rotate hand actuator assembly to create slack for cable. Remove cable from assembly.



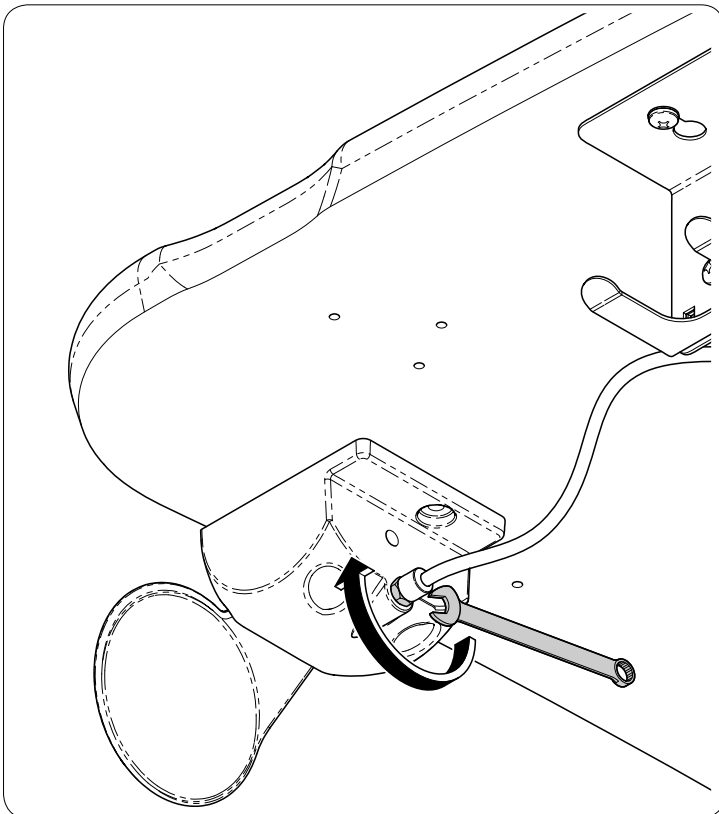
Step 4:

A) Remove damaged paddle. B) Install paddle. C) Insert cable into paddle. D) Rotate hand actuator assembly to remove slack.



Step 5:

Tighten nut to add tension to hand actuator paddle.



Step 6:

Install screws (3) attaching actuator housing to bottom of worksurface.

