



Instrument Tray [9A26700x]

Contents:
 Installation 1
 Exploded View..... 3

Special Tools:
 none

Intended Use:
 To hold instruments for an examination or general procedure.

Restrictions:
 Chair must have base rail installed.

Equipment Alert
 Do not use more than one instrument tray simultaneously on the same side of the chair.

Max. weight (centered on tray):
Double Arm Tray (9A267001 & 9A267003)
 Models 411, 419, & 630: 15 lbs (6.8 kg)
 Models 119, 311, & 319: 5 lbs (2.3 kg)

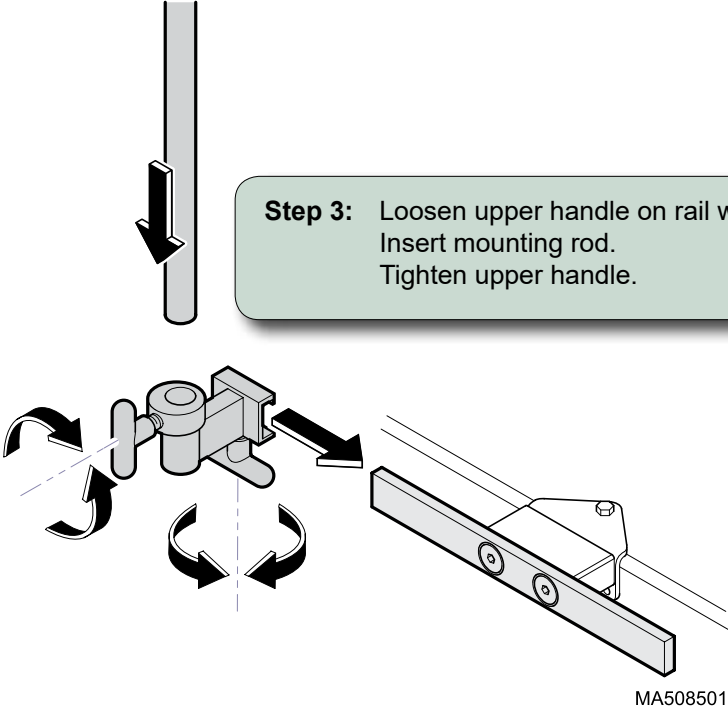
Single Arm Tray (9A267002 & 9A267004)
 Models 411, 419, & 630: 30 lbs (13.6 kg)
 Models 119, 311, & 319: 10 lbs (4.6 kg)

Equipment Alert
 Place chair in desired position before mounting 9A267 Instrument Tray. To prevent damage to chair / tray, do not operate chair after tray has been installed.

Step 1: Loosen lower handle on rail mount weldment.

WARNING
 T-handle that secures rail mount must be positioned below base rail so lip on rail mount hooks over the top of base rail.

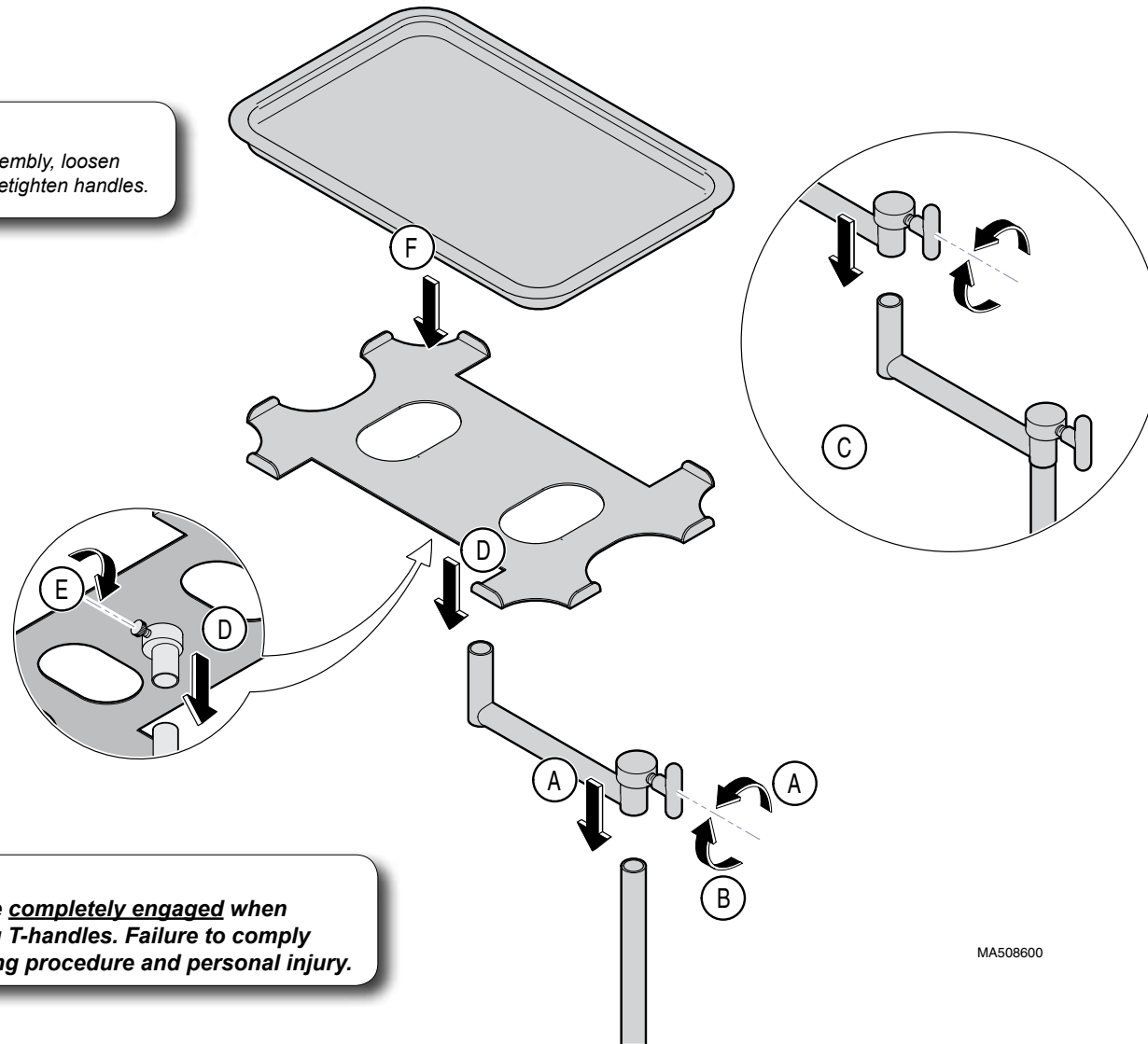
Step 2: Slide rail mount onto base rail. Tighten lower handle on rail mount.



Step 3: Loosen upper handle on rail weldment. Insert mounting rod. Tighten upper handle.

Note

To reposition Tray while supporting assembly, loosen appropriate handle(s), reposition, then retighten handles.



MA508600

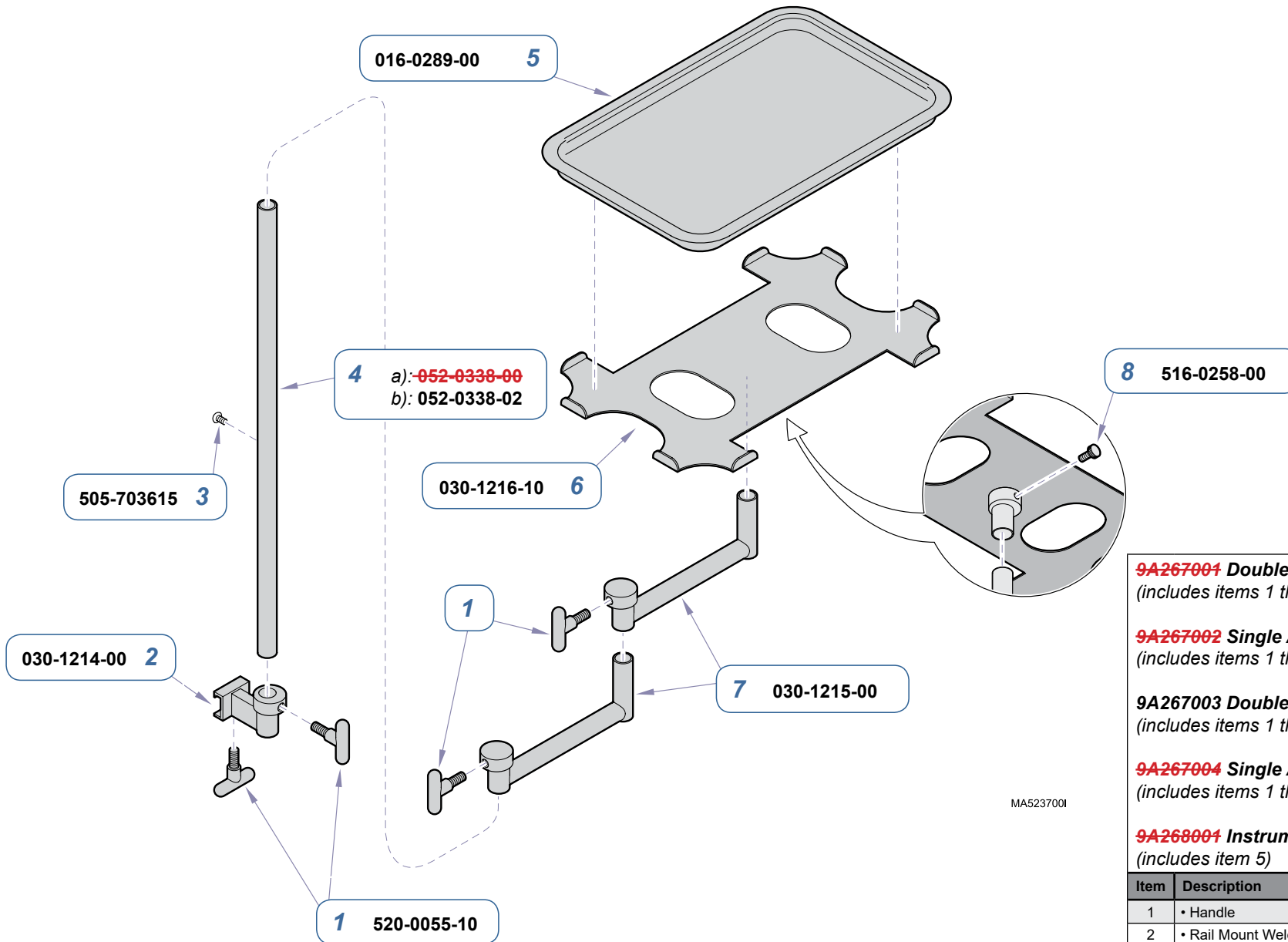


WARNING

Assure Arm Extensions are completely engaged when mounting before tightening T-handles. Failure to comply could result in disengagement during procedure and personal injury.

Step 4: Install arm extension, mounting rod, & tray.

- A) Loosen handle on Arm Extension and insert onto Mounting Rod.
- B) Tighten handle.
- C) When applicable, mount second Arm Extension to mounting tube of first arm extension.
- D) Install Tray Mount Weldment onto mounting tube of Arm Extension
- E) Tighten thumb screw.
- F) Place Tray in position.



MA523700I

9A267001 Double Arm Instrument Tray
(includes items 1 thru 8)

9A267002 Single Arm Instrument Tray
(includes items 1 thru 8)

9A267003 Double Arm Instrument Tray
(includes items 1 thru 8)

9A267004 Single Arm Instrument Tray
(includes items 1 thru 8)

9A268004 Instrument Tray
(includes item 5)

Item	Description	Qty.
1	• Handle	4 / 3
2	• Rail Mount Weldment	1
3	• Screw	1
4	• Rod a): 9A267001 & 9A267002 b): 9A267003 & 9A267004	1
5	• Instrument Tray	1
6	• Tray Mount Weldment	1
7	• Arm Extension Weldment	2 / 1
8	• Thumbscrew	1

Serial Numbers / Dates: all