



**Caution**

Allow sterilizer to cool completely before performing any service procedure.

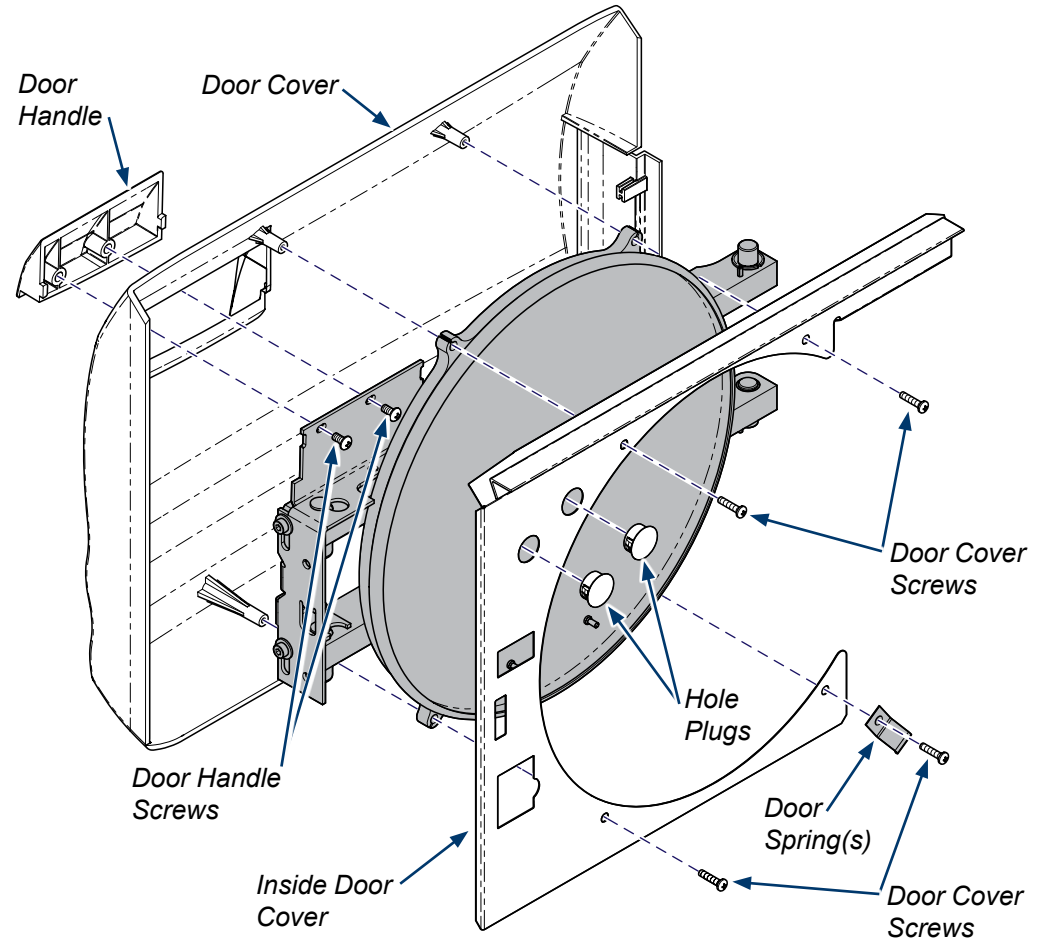
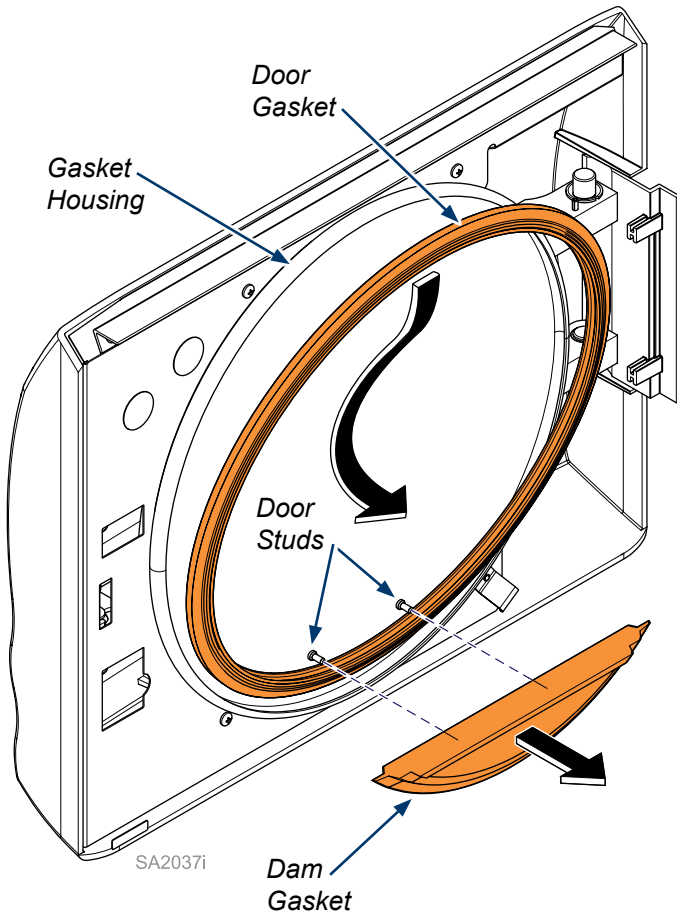


**WARNING**

To prevent risk of shock always disconnect power before removing covers or performing any service procedure.

**Step 1: Remove Door and Dam Gaskets.**

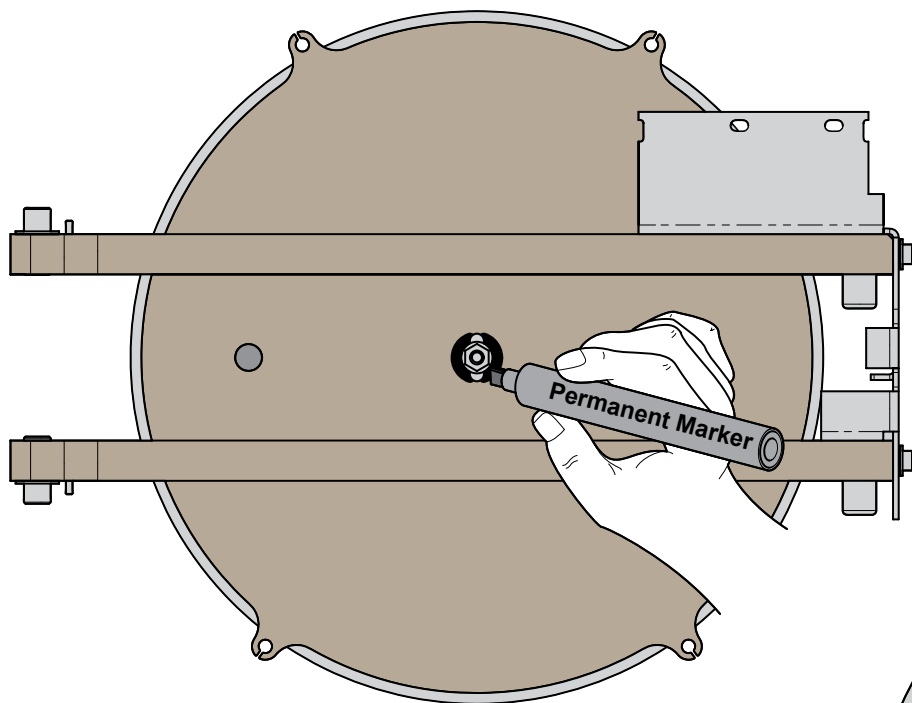
- A) Unplug sterilizer, Allow to cool, Open door.
- B) Remove Dam Gasket by pulling it off the Door Studs.
- C) Remove Door Gasket by pulling it out of the Gasket Housing.



**Step 2: Remove Handle and Door Covers.**

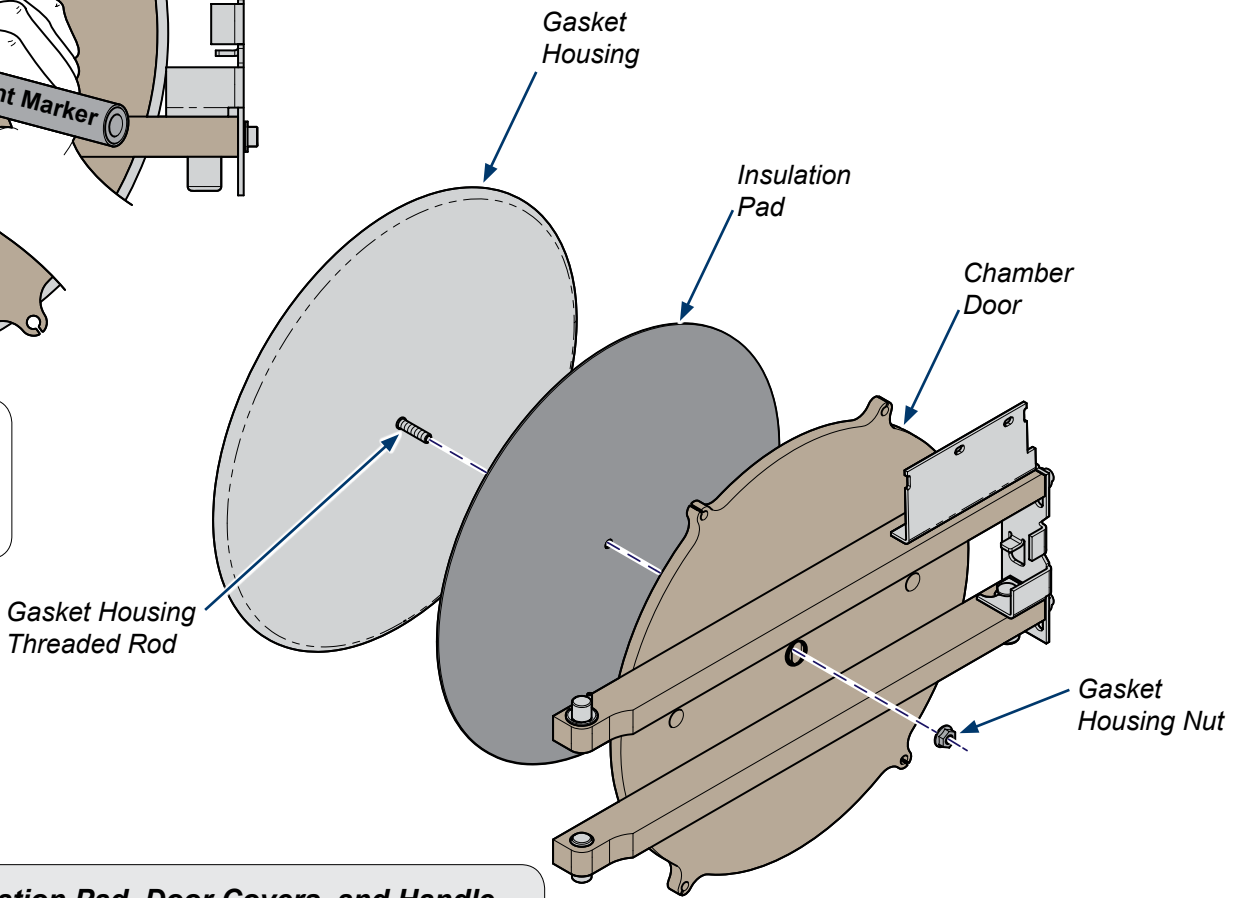
- A) Remove Door Plugs to access Door Handle Screws.
- B) Remove Door Handle Screws (2) and Door Handle.
- C) Remove Cover Mounting Screws (4) and both Door Covers.

**Note:** Pay attention to the position of the Door Spring(s) located in the bottom right corner for proper reassembly. (M9= Qty 1, M11= Qty 2)



**Step 3: Mark Gasket Housing Position and Remove.**  
 A) Use a Permanent Marker around the Gasket Housing Nut to record it's location for correct reassembly.  
 B) Remove Gasket Housing Nut.  
 C) Remove Gasket Housing and Insulation Pad.

**Equipment Alert**  
 The Gasket Housing and Nut must be installed in it's original location on the Chamber Door to insure proper sterilizer operation.

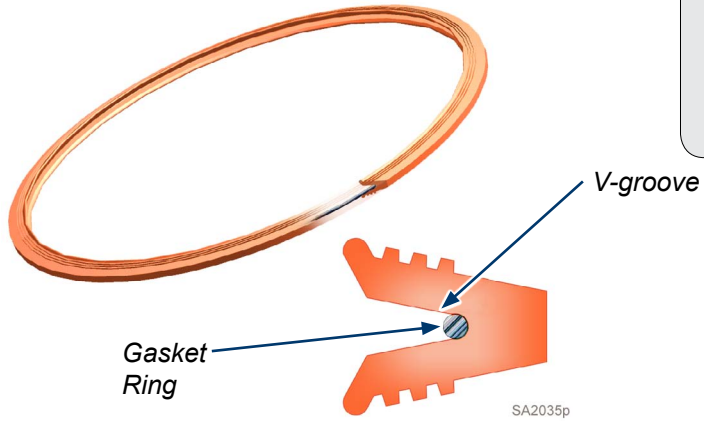


**Step 4: Install New Gasket Housing. Reinstall Insulation Pad, Door Covers, and Handle.**  
 A) Position Gasket Housing Threaded Rod into Insulator Pad then through hole on Chamber Door.  
 B) Secure Gasket Housing with Gasket Housing Nut. Insure it is located in the exact same place it was removed from.  
 C) Install Door Covers with Door Spring(s) and Door Handle. (See page one for details.)

**Step 5: Install Gasket Ring into the Door Gasket V-groove.**

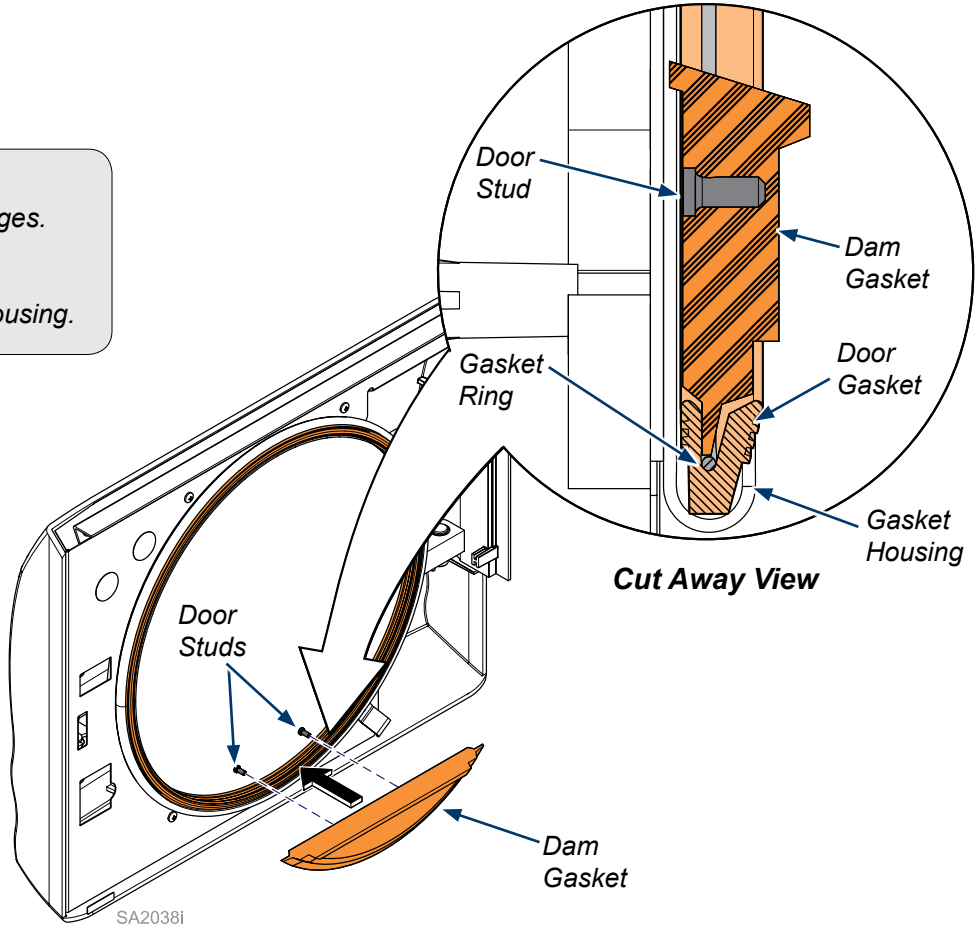
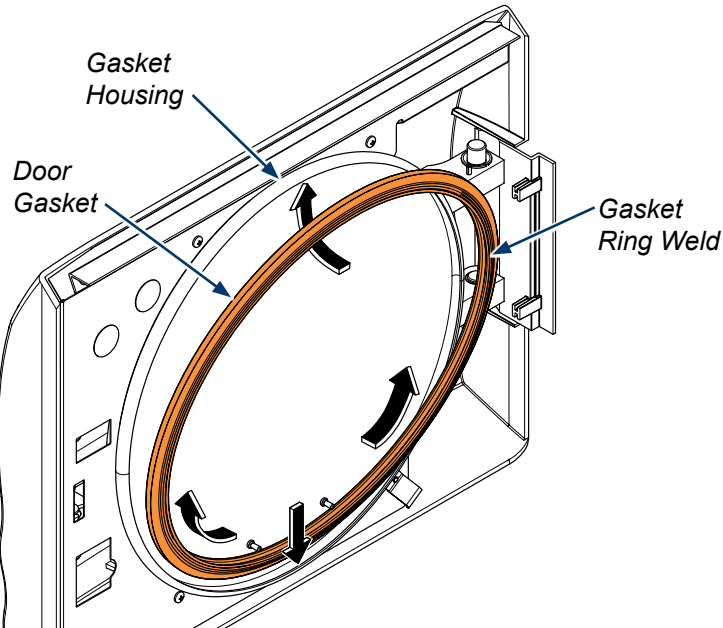
A) Insert Gasket Ring into the bottom of the Door Gasket V-groove.

Note: Start at one end and insert Gasket Ring continue up each side and into the other end.  
Take a mental note of where the Gasket Ring Weld is located for the next step.



**Step 6: Install Door Gasket.**

- A) Position Door Gasket so Gasket Ring Weld is located in center of door hinges.
- B) Install Door Gasket into bottom of the Gasket Housing.
- C) Install left and right sides and finish at top.
- D) Make sure Door Gasket fits evenly and flush all the way around Gasket Housing.



**Step 7: Install Dam Gasket.**

- A) Align Dam Gasket holes over the Door Studs.
- B) Push Dam Gasket on to studs until it lies flat against the door.
- C) Tuck bottom edge of Dam Gasket into the center v-groove of Door Gasket.



**Equipment Alert**

For optimum Door Gasket operation orient Gasket Ring Weld between door hinges (3 o'clock) when looking at inside of door.