



Data Logger (9A682001)

[English](#)
[Français](#)

Applies to Models:

M9[®] (-020 /-021 /-022)
(-033 /-034)
(-040 /-041 /-042 /-043)
M9D (-020 /-022 /-042)
M11[®] (-020 /-021 /-022)
(-033 /-034)
(-040 /-041 /-042 /-043)
M11D (-020 /-022)



User Guide

Style P

003-10279-99 Rev. AA8 (6/20/22)

Table of Contents

Important Information

<i>Safety Instructions</i>	3
<i>Electromagnetic Interference</i>	3
<i>Safety Symbols</i>	4
<i>Symbol Glossary</i>	4
<i>Transportation / Storage Conditions</i>	4
<i>Intended Use</i>	5
<i>Capabilities</i>	5
<i>Identify Compatible Sterilizer Models</i> ...	5
<i>Controls and Indicators</i>	6
<i>USB Drive</i>	7

Operation

<i>Home Screen</i>	8
<i>During the Cycle</i>	8
<i>Cycle Complete</i>	9
<i>Cycle Accepted by Operator</i>	9
<i>Cycle Rejected by Operator</i>	10

Additional Menus

<i>Menu Navigation</i>	11
<i>Product Info Menus</i>	11
<i>View Data Logger Serial Number</i>	11
<i>View Sterilizer Serial Number</i>	11
<i>View Data Logger Firmware Version</i>	11
<i>Set Date / Time</i>	12
<i>Set User Setup</i>	13
<i>Set Sterilizer Name</i>	14
<i>Set Sterilizer Serial Number</i>	15
<i>Sample Sterilization Cycle Log (PDF)</i> .16	

Specifications

<i>Operating Environment</i>	18
------------------------------------	----

Maintenance / Troubleshooting

<i>Maintaining Your Data Logger</i>	18
<i>Calling for Service</i>	18
<i>Troubleshooting / Error Codes</i>	19

Warranty

<i>Scope of Warranty</i>	21
--------------------------------	----

Important Information

Safety Instructions

The primary concern of Midmark is that this equipment is operated and maintained with the safety of the patient and staff in mind. To assure safe and reliable operation:

- Read and understand this manual before attempting to setup or operate the Data Logger.
- Assure that the appropriate personnel are informed on the contents of this manual.

Electromagnetic Interference

The Midmark® Data Logger is intended for use in the electromagnetic environment as specified in the Midmark Sterilizer User Guide. The customer or the user of the Midmark® Data Logger should assure that it is used in such an environment.

This product is designed and built to minimize electromagnetic interference with other devices. However, if interference is noticed between another device and this product:

- Remove interfering device from room.
- Plug device into isolated circuit.
- Increase separation between Data Logger and interfering device.
- Contact Midmark Corporation if interference persists.



WARNING

Use of accessories, transducers and cables other than those specified or provided by the manufacturer of this equipment could result in increased electromagnetic emissions or decreased electromagnetic immunity of this equipment and result in improper operation.



WARNING

Use of this equipment adjacent to or stacked with other equipment should be avoided because it could result in improper operation. If such use is necessary, this equipment and the other equipment should be observed to verify that they are operating normally.



Equipment Alert

Portable RF communications equipment (including peripherals such as antenna cables and external antennas) should be used no closer than 30 cm (12 inches) to any part of the device, including cables specified by the manufacturer. Otherwise, degradation of the performance of this equipment could result.

Safety Symbols



WARNING

Indicates a potentially hazardous situation which could result in serious injury.



Caution

Indicates a potentially hazardous situation which may result in minor or moderate injury. It may also be used to alert against unsafe practices



Equipment Alert

Indicates a potentially hazardous situation which could result in equipment damage.

Symbol Glossary



Proper shipping orientation



Keep dry



Fragile



Catalogue Number



Date of Manufacture



Serial Number



Manufacture

Transportation / Storage Conditions

Ambient Temperature Range:	-22°F to 140°F (-30°C to +60°C)
Relative Humidity:	10% to 90% (non-condensing)
Atmospheric Pressure:	7.2 psia to 15.4 psia (49.6 kPa to 106.4 kPa)

Intended Use

The Midmark® Data Logger is designed to connect with a sterilizer and electronically store sterilizer cycle data such as: sterilizer serial number, date and time the cycle was run, sterilization cycle parameters, errors and the cycle approving authority.

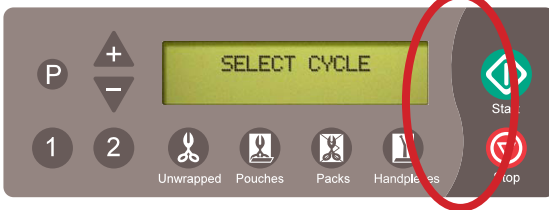
Capabilities

The Data Logger accessory is compatible with Midmark®/Ritter® M9®/M9®D-02X, M11®/M11®D-02X sterilizers with version 1.0.3 or later operating software and all Midmark®/Ritter® M9®/M9®D-03X/-04X, M11®/M11D/-03X/-04X sterilizers. The Data Logger creates and stores an electronic record of the sterilization cycle data with date and time, sterilizer identification (8 character maximum) and the approving operator (3 character maximum). The Data Logger stores the data and automatically downloads a pdf file to the included USB for easy transfer to a PC for access and backup. Additionally, the Data Logger stores up to 12 operator IDs for easy access by multiple operators.

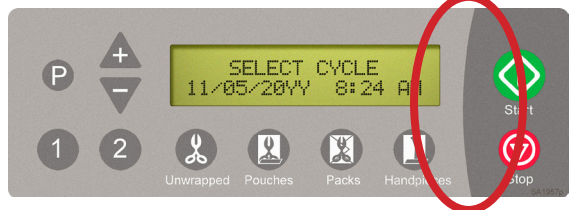
NOTE: The Data Logger cannot be used in conjunction with printers 9A259001 or 9A599001.

Identify Compatible Sterilizer Models.

-02X and -03X Model Sterilizer



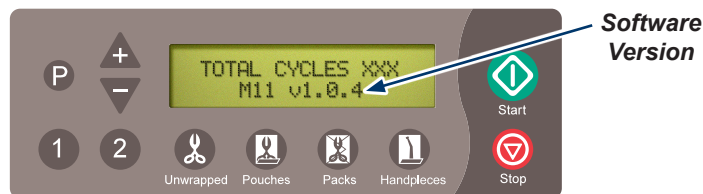
-04X Model Sterilizer



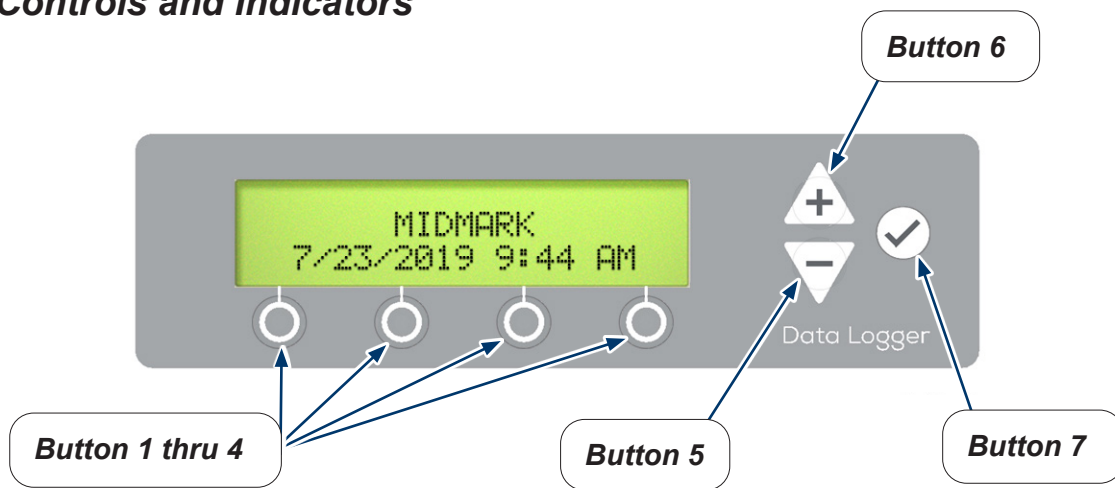
The Data Logger is compatible with most -02X and all -03X, -04X model sterilizers. Use the images to identify sterilizer models when needed.

Note

The -02X, model sterilizers must have version 1.0.3 to 1.0.4 operating software for the Data Logger to be compatible. Please confirm your sterilizer has compatible software. To determine the software version of your sterilizer, cycle the power on the unit. The software version will be displayed during the start up cycle. If your sterilizer has different operating software, contact your Midmark representative for options.



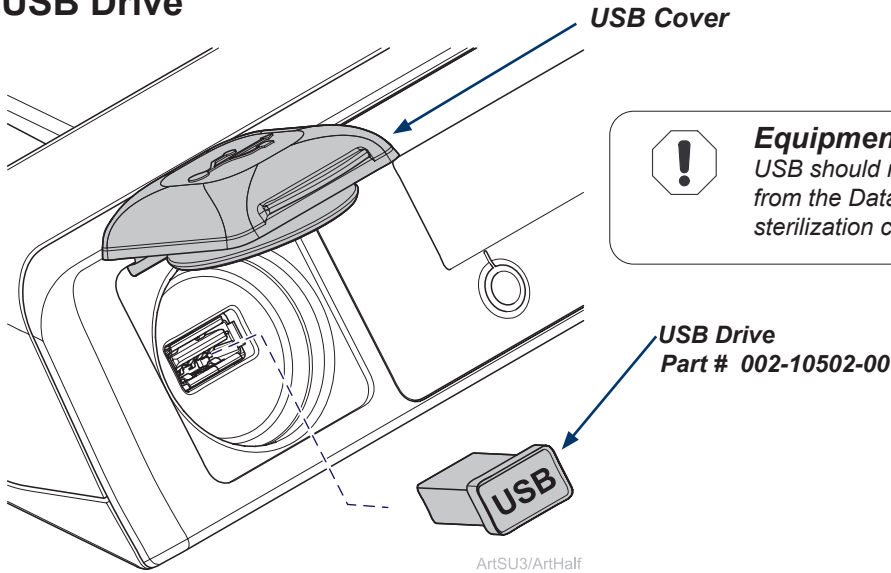
Controls and Indicators



The different keys perform the following functions:

- Button 1 thru 4:** Selects the function directly above it on the display when available.
- Button 5: (Minus)** – Scrolls down through the menus or values.
- Button 6: (Plus)** – Scrolls up through the menus or values.
- Button 7: (Enter)** – Selects value or advances menu.

USB Drive



Equipment Alert

USB should not be removed from the Data Logger while a sterilization cycle is in progress.

USB Drive.

- To ensure compatibility only use USB drives provided by Midmark for the Data Logger.
- Midmark recommends backing up contents of the Data Logger to a PC daily, or at least weekly at a minimum.
- The USB drive is used to transfer data from Data Logger to PC for backup.
- Ensure USB Cover is closed while Sterilizer and Data Logger are in use.
- If utilizing a brand new USB Drive it may take more time to transfer all the files (depending on number of cycles ran). This is a one time event for each new USB drive.

Transferring data from Data Logger to PC for backup.

- Remove USB from the Data Logger.
- Plug USB into a PC.
- Navigate to the File Explorer on the PC.
- Open up the USB Drive Folder on the PC.
- Navigate to the correct folder labeled as the sterilizer serial number.
- Transfer data to the PC.
- Consult with an appropriate IT professional for support with file transfer if required.



Equipment Alert

After reinstalling USB into Data Logger allow all files to copy prior to using sterilizer.

Operation

Home Screen.

- One of these main menus will appear on the Data Logger when it is ready for a cycle to be run. The default screen will show MIDMARK unless the sterilizer name was setup.
- -04X models do not show the date and time on the Data Logger display.

-02X and -03X Models



ArtHalf



ArtHalf

-04X Models



ArtHalf



ArtHalf

During the Cycle.

- Data Logger indicates sterilization cycle progress by flashing the bar under the active cycle phase.



ArtHalf

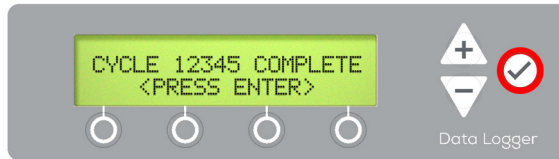


Caution

If user stops a cycle during the dry cycle phase, the instruments will need to be inspected to ensure they are dry prior to accepting load.

Cycle Complete.

- When sterilization cycle is complete press ENTER (✓) then select your operator sign off button.



Note

The cycle complete screen displays the current completed sterilization cycle count. The sterilization cycle count is not included on this screen for early versions of the Data Logger.



Cycle Accepted by Operator.

- To accept cycle press ACCEPT button then press DONE button. Cycle information will be recorded by Data Logger, Sterilizer is ready to run the next cycle.



Note

After cycle completes, open the door and examine the condition of the instruments. Accept or Reject the sterilization load based on your sterilization protocols. Qualified personnel responsible for infection control should prepare a protocol for handling sterilized items. This protocol should be followed by all personnel responsible for handling sterilized items.

Cycle Rejected by Operator.

- To reject cycle press **REJECT** button then press **PLUS** or **MINUS** button to navigate to the failure reason and **ENTER** (✓). Cycle information will be recorded by **Data Logger**, Sterilizer is ready to run the next cycle.



ArtHalf



ArtHalf



ArtHalf



ArtHalf



ArtHalf

Additional Menus

Menu Navigation.

- PLUS, MINUS changes characters.
 - Press and hold to scroll through available characters when entering data.
- NEXT advances to next field.
- DONE advances to next menu when entering data is complete.
- BACK deletes the previous character/returns to the previous menu.

Blank Spaces

To enter a blank space in a character string on Data Logger, navigate to blank character located between letter A and number 9 then press NEXT/DONE.

Pressing ENTER (✓)

Pressing ENTER (✓) at any point accepts all characters left of flashing cursor completing that step. This could result in unwanted blank fields.

Product Info Menus.

- Navigate to the Product Info menu using the MINUS button then press ENTER (✓).
- Use PLUS, MINUS buttons to view Data Logger Serial Number, Sterilizer Serial Number and current Firmware Version.
- Press BACK button once to return to the previous menu or twice to return to the main menu.



ArtHalf



ArtHalf



ArtHalf



ArtHalf

Set Date / Time.

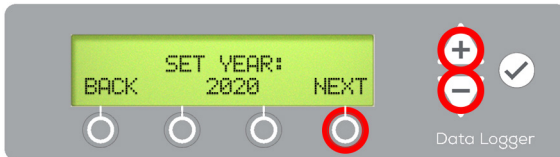
- Navigate to the Set Date / Time menu using the MINUS button then press ENTER (✓).
- Use PLUS, MINUS buttons to adjust the values for each menu then press NEXT.
- When finished setting AM / PM press the DONE button to complete the Date and Time setup.

Note

Setting Date/Time is not required for any -04X model sterilizers. These models use Date/Time from sterilizer not the Data Logger for sterilization records.



ArtHalf



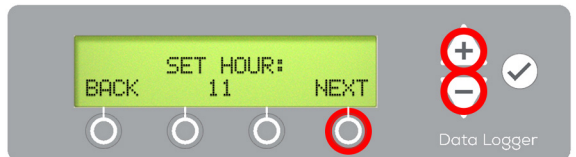
ArtHalf



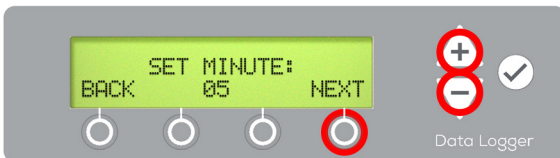
ArtHalf



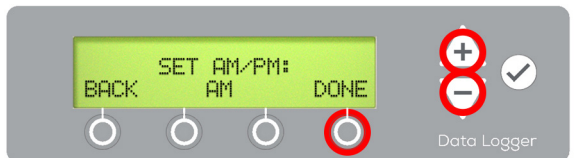
ArtHalf



ArtHalf



ArtHalf



ArtHalf

User Setup.

- Navigate to the User Setup menu using MINUS button then press ENTER (✓).
- From 1 to 12 users (originally designated U01-U12) can be set up in the Data Logger. Use PLUS, MINUS to scroll through the user identifiers to select one for setup.
- Enter a unique 1 to 3 character identifier for each user of the sterilizer using PLUS, MINUS, NEXT, DONE. When all users have been entered and identified, select "No" when prompted to set up another user.



ArtHalf



ArtHalf



Data Logger



ArtSU3/ArtHalf

Note

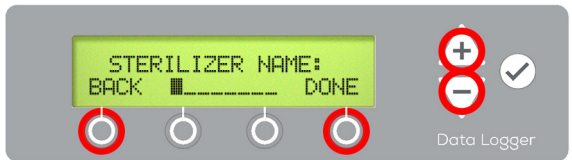
User Name will be part of electronic record on receipt. Setting up user names is optional.

Set Sterilizer Name.

- Navigate to the Set Sterilizer Name menu using MINUS button then press ENTER (✓).
- Enter sterilizer name by using PLUS, MINUS, NEXT/DONE and BACK buttons.
- Sterilizer name can be from 1 to 8 characters.



ArtHalf



ArtHalf

Note

Sterilizer Name will be part of electronic record on receipt. Setting up sterilizer name is optional.

Set Sterilizer Serial Number.

- Navigate to the Set Sterilizer Serial Number menu using MINUS button then press ENTER (✓).
- Enter sterilizer serial number by using PLUS, MINUS, NEXT/DONE and BACK buttons.
- Serial Number can be up to 9 characters. If Serial Number is shorter than 9 characters navigate to the blank space (between A and 9) and press NEXT/DONE, or press ENTER (✓) after the last character is entered.



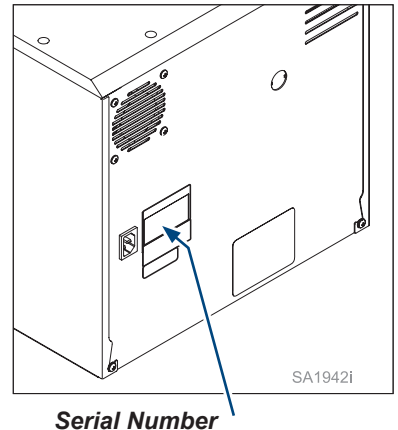
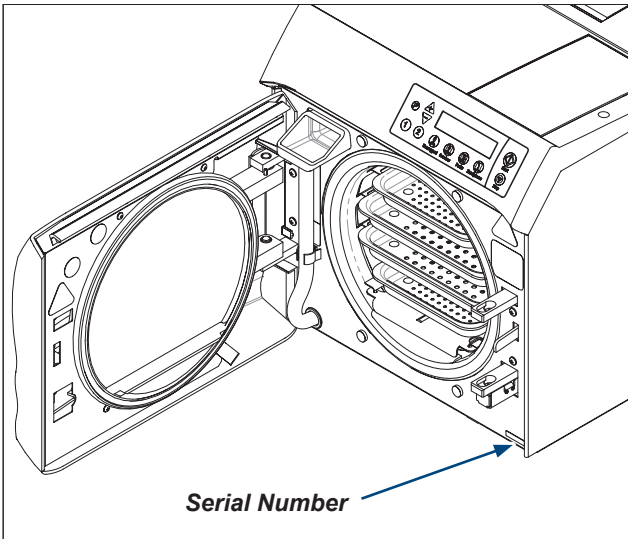
ArtHalf



ArtHalf

Note

Ensure sterilizer serial number being assigned to Data Logger is correct so sterilization data records will be maintained accurately.



Sterilization Cycle Log (PDF)

Normal Cycle Log.

- This is an example of a completed and approved sterilization cycle.

Sterilizer Name → Midmark M11 - v1.0.4
Model # and Software Version → Midmark M11 - v1.0.4
Sterilizer ID (Serial Number) → Name: MIDMARK
 Sterilizer ID: V2072130
Total # of cycles run on unit → Total Cycles: 41
Date and Time of cycle start → 01/16/202X 08:54 AM
Selected Cycle → BEGIN UNWRAPPED CYCLE
Sterilization temperature, time and dry time settings → Temp: 270 Degrees F
 Time: 3 Minutes
 Dry: 1 Minutes
Indicates Filling phase initiated → FILLING CHAMBER

During Heating phase, the Data Logger records chamber temperature and pressure in 30 second increments

Note
 The Data Logger stores detailed descriptions of each sterilization cycle as printable PDF's. The Data Logger stores these files in automatically created folders by date.

mm:ss	Degrees	PSI
0:00	66.2 F	0.0
0:30	66.3 F	0.0
1:00	66.6 F	0.0
1:30	68.1 F	0.0
2:00	71.4 F	0.0
2:30	77.2 F	0.0
3:00	87.8 F	0.0
3:30	89.4 F	0.0
4:00	90.7 F	0.0
4:30	92.6 F	0.0
5:00	93.3 F	0.0
5:30	100.7 F	0.0
6:00	110.1 F	0.0
6:30	120.4 F	0.0
7:00	132.5 F	0.0
7:30	145.9 F	0.0
8:00	155.3 F	0.4
8:30	161.7 F	1.2
9:00	167.9 F	2.0
9:30	173.8 F	3.0
10:00	178.9 F	4.0
10:30	182.5 F	4.9
11:00	187.1 F	5.9
11:30	191.7 F	6.9
12:00	195.9 F	7.9
12:30	199.7 F	8.9
13:00	203.4 F	9.8
13:30	207.4 F	10.9
14:00	210.4 F	11.9
14:30	213.1 F	12.9
15:00	213.3 F	9.8
15:30	216.5 F	6.0
16:00	219.6 F	5.8
16:30	222.9 F	6.8
17:00	225.9 F	7.8
17:30	228.6 F	8.8
18:00	231.4 F	9.8
18:30	233.9 F	10.9
19:00	236.7 F	12.0
19:30	239.3 F	13.2
20:00	236.6 F	10.3
20:30	233.4 F	8.1
21:00	235.9 F	9.5
21:30	239.2 F	11.0
22:00	242.3 F	12.4
22:30	244.0 F	12.5
23:00	239.2 F	10.0

Continued:

23:30	237.9 F	9.6
24:00	241.5 F	11.4
24:30	245.1 F	13.1
25:00	248.4 F	14.7
25:30	251.5 F	16.4
26:00	254.6 F	18.0
26:30	257.4 F	19.6
27:00	260.3 F	21.3
27:30	263.1 F	23.0
28:00	265.7 F	24.7
28:30	268.5 F	26.4
29:00	271.0 F	28.2
29:30	272.6 F	28.9

STERILIZING

mm:ss	Degrees	PSI
0:00	271.6 F	28.6
0:30	271.9 F	28.5
1:00	272.3 F	28.8
1:30	272.6 F	29.1
2:00	272.9 F	29.3
2:30	272.7 F	29.4
3:00	272.2 F	29.0
Min	271.6 F	28.4
Max	272.9 F	29.4

VENTING CHAMBER

DRYING

mm:ss	Event
0:00	Drying Start
1:00	Drying Complete

Cycle summary

FILLING:	0:40
HEATING:	29:44
STERILIZING:	3:00
VENTING:	2:56
DRYING:	1:00
TOTAL CYCLE:	00:37:19

CYCLE COMPLETE

Operator summary load accepted

01/16/202X 09:32 AM
ACCEPTED: X
REJECTED:
Operator: A02

Sterilizer Cycle Log With Error Code (example).

- ITEMS NOT STERILE. When an error code occurs during a cycle the load being sterilized is not sterile.
- Example below shows the stop button was pressed during the sterilization cycle causing an error code C104 and interrupting the cycle.
- Parameters at the time of the error are shown which could potentially help with troubleshooting processes. Date and time error occurred is also shown.

Continued:

STERILIZING		
mm:ss	Degrees	PSI
0:00	271.6 F	28.6
0:30	271.9 F	28.5
1:00	272.3 F	28.8
1:30	272.6 F	29.1
2:00	272.9 F	29.3
2:30	272.7 F	29.4
C104: STERILIZE MODE STOP PRESSED		
CHAMBER TEMP 273F		
CHAMBER PRESS 29.0PSI		
ELAPSED TIME 02:38		
** ITEMS NOT STERILE **		
10/20/202X 03:52 PM		

During Sterilization phase, the printer records chamber temperature and pressure in 30 second increments

Error code and description

Cycle parameters at time of error

Items Not Sterile

Date and time of error

Sterilizer Cycle Log Rejected By Operator.

- Example below shows the sterilization cycle was rejected by the operator due to a failed indicator.
- The parameters at the time of the error are shown which could potentially help with troubleshooting processes. The date and time the error occurred is also shown.

Continued:

FILLING:	0:40
HEATING:	29:44
STERILIZING:	3:00
VENTING:	2:56
DRYING:	1:00
TOTAL CYCLE:	00:37:19
CYCLE COMPLETE	
01/16/202X 09:32 AM	
ACCEPTED:	
REJECTED: X	
Reason: Fail Indicator	
Operator: A02	

Cycle summary

Operator summary
load rejected due to failed indicator.

Specifications

Operating Environment

Ambient Temperature	68°F to 104°F (+20°C to +40°C)
Relative Humidity	< 80% (non-condensing)
Normal Operating Altitude:	< 9842 ft. (3000 m) above sea level
Operating Environment	Indoor use only

Maintenance / Troubleshooting

Maintaining Your Data Logger

Clean External Surfaces

- A) *Clean the exterior of the Data Logger each day according to your facility's procedure for clinical contact surfaces, noting the following: (Use only quaternary disinfectants to disinfect unit. Staining, pitting, discoloration, or softening could occur if phenolic, iodophor, or glutaraldehyde-based disinfectant is used on plastic surfaces of the unit. Also, use of alcohol or aerosol spray cleaner / disinfectant containing substantial amounts of alcohol in the formula can damage the faceplate).*
- B) *Wring excess solution from the cloth.*
- C) *Using soft cloth, wipe all external surfaces.*
- D) *Follow the instructions provided with the cleaner / disinfectant used regarding rinsing and drying of the external surfaces.*



Equipment Alert

Make sure the USB cover is closed when cleaning to prevent entry of cleaners/moisture into the USB cavity.

Calling for Service

Contact your Midmark Authorized Dealer, or log on to www.midmark.com. Model and serial number information will be required when calling for service and can be found on the back of the unit.

To contact Midmark directly:

1.800.Midmark (1.800.643.6275) or 937.526.3662
8:00 am to 5:00 pm ET (Monday thru Friday)
(Excluding standard US holidays)

Troubleshooting / Error Codes

Display / Symptom	Cause	Check/ Action
Memory Error	Error trying to read or write configuration data internal to Data Logger.	Cycle power to Data Logger.
		If error persists, replace Data Logger.
SD Card Error	Failure to read or write to SD card or SD card has become disconnected.	Cycle power to Data Logger.
		If error persists, replace Data Logger.
USB Drive Error	Failure to read or write to USB drive.	Make sure USB drive is securely inserted.
		Cycle power to Data Logger.
		Replace USB Drive
		If error persists, replace Data Logger.
File Transfer Error	Failure to copy one or more files from SD card to USB drive.	Remove USB drive from Data Logger and re-insert. This will initiate the file transfer from SD card to USB drive.
		If error persists, replace USB drive.
	USB drive is disconnected during file transfer process.	Remove USB drive from Data Logger and re-insert. This will initiate the file transfer from SD card to USB drive.
		If error persists, replace Data Logger.
Clock Battery Error	Internal clock battery is either low on power or dead.	Replace Data Logger.
PDF Creation Error	Error creating pdf of sterilization cycle or saving file to SD card.	Run another sterilization cycle, if error persists, replace Data Logger.
Config File Copy Error	Data Logger is unable to read configuration parameters from config file on SD card.	Remove USB drive from Data Logger. Delete config file from USB drive and download a new config file onto the USB drive using online registration process. Insert USB drive into Data Logger and update config file.
		If error persists, replace USB drive with new Config file downloaded using online registration process.
		If error persists, replace Data Logger.
Firmware Update Error	Data Logger encountered an error while updating firmware.	Restart Data Logger with a USB drive that contains firmware update file to re-initiate firmware update.
		If error persists, get a new USB drive with a new firmware update file and retry.
		If error persists, replace Data Logger.

Troubleshooting / Error Codes - Continued...

<i>Display / Symptom</i>	<i>Cause</i>	<i>Check/ Action</i>
Button Stuck Error	Data Logger detects a button on membrane is stuck.	Try to manually unstick button and restart Data Logger.
		If the error persists, replace Data Logger.
Data Logger Display Does Not Go Past Fill	Sterilizer software version to Prior to 1.0.3	Sterilizer software version must be version 1.0.3 or newer (-02X models).
		Sterilizer serial numbers must be programed into all replacement sterilizer main PC the boards

Midmark® + Ritter® Medical Equipment (Tables, Chairs, Physician Seating, Lights, Workstations and Sterilizers) Limited Warranty

SCOPE OF WARRANTY Midmark Corporation ("Midmark") warrants to the original retail purchaser that it will, at Midmark's option, repair or replace components of the domestic and international medical products manufactured by Midmark (except for components not warranted under "Exclusions") that are defective in material or workmanship under normal use and service. The sole remedy under this limited warranty is the repair or replacement, at Midmark's option, of the applicable components. This limited warranty shall only apply to defects that are reported to Midmark within the applicable warranty period and which are determined to exist upon examination by Midmark. This warranty extends only to the original retail purchaser of a product and is not transferable or assignable. Replacement components or products may be used and/or refurbished components or products, provided they are of like quality and specifications as new components or products.

Midmark warrants to the original retail purchaser that during the applicable warranty period it will repair or replace software contained within the products manufactured by Midmark (except for those not warranted under "Exclusions") if: (1) the media on which the software is furnished exhibits defects in material or workmanship under normal use; or (2) the software does not substantially conform to its published specifications.

APPLICABLE WARRANTY PERIOD The applicable warranty period, measured from the date of invoice to the original retail purchaser of the product and shall be one (1) year for all warranted products and components. QuickClean® Ultrasonic Cleaners are warranted for a period of three (3) years.

OBTAINING WARRANTY SERVICE Warranty service must be obtained through either Midmark or an authorized dealer in the Midmark product line for which warranty service is requested. Midmark may be contacted for warranty service inquiries or issues via email at midmark.com; by phone at 1.800.MIDMARK or by mail to Midmark Corporation, 60 Vista Drive, Versailles, Ohio 45380. It is the retail purchaser's obligation to arrange for delivery of a product to Midmark or one of its authorized dealers for warranty service, which delivery shall be at retail purchaser's expense. It is also the retail purchaser's obligation to comply with the warranty service instructions provided either by Midmark or its authorized dealer. The retail purchaser must provide Midmark with completed warranty registration information within thirty (30) days after purchase in order to obtain the benefits of this limited warranty.

EXCLUSIONS: This limited warranty does not cover and Midmark shall not be liable for the following:

- (1) Defects, damage or other conditions caused, in whole or in part, by misuse, abuse, negligence, alteration, accident, freight damage, negligent storage, tampering or failure to seek and obtain repair or replacement in a timely manner;
- (2) Products which are not installed, used, and properly cleaned and maintained as required or recommended in the Midmark "Installation" and/or "Installation/Operation Manual" for the applicable product, including the specified structural and operational environmental conditions and electrical requirements;
- (3) Products considered to be of a consumable or sterile nature;
- (4) Accessories or parts not manufactured by Midmark;
- (5) Charges by anyone for adjustments, repairs, replacement parts, installation or other work performed upon or in connection with such products which are not expressly authorized in writing in advance by Midmark;
- (6) Costs and expenses of routine maintenance and cleaning; and
- (7) Representations and warranties made by any person or entity other than Midmark.
- (8) Matching of color, grain or texture except to commercially acceptable standards;
- (9) Changes in color caused by natural or artificial light;
- (10) Custom manufactured products;
- (11) Alterations or modifications to the product by any person or entity other than Midmark; and
- (12) Products that would otherwise be covered under this limited warranty, but are acquired: (i) from a person or entity that is not Midmark or one of its authorized dealers; or (ii) from a Midmark dealer that is not authorized to sell the product at issue in the geographic territory where the purchaser is located, or is not authorized to sell the product at issue within the medical market.

SOFTWARE; WITH RESPECT TO SOFTWARE THAT IS A PRODUCT OR COMPONENT THEREOF, MIDMARK DOES NOT WARRANT THAT THE SOFTWARE: (1) IS ERROR FREE; (2) CAN BE USED WITHOUT PROBLEMS OR INTERRUPTIONS; OR (3) IS FREE FROM VULNERABILITY TO INTRUSION OR ATTACK BY VIRUSES OR OTHER METHODS.

EXCLUSIVE REMEDY; CONSEQUENTIAL DAMAGES DISCLAIMER MIDMARK'S ONLY OBLIGATION UNDER THIS LIMITED WARRANTY IS THE REPAIR OR REPLACEMENT OF DEFECTIVE PARTS. MIDMARK SHALL NOT BE LIABLE FOR AND HEREBY DISCLAIMS ANY DIRECT, SPECIAL, INDIRECT, INCIDENTAL, EXEMPLARY OR CONSEQUENTIAL DAMAGES OR DELAYS, INCLUDING, BUT NOT LIMITED TO, DAMAGES FOR LOSS OF PROFITS OR INCOME, LOSS OF USE, LOSS OF DATA, DOWNTIME, COVER AND EMPLOYEE OR INDEPENDENT CONTRACTOR WAGES, PAYMENTS AND BENEFITS. THIS DISCLAIMER SHALL SURVIVE ANY FAILURE OR ASSERTED FAILURE OF THE ESSENTIAL PURPOSE OF THIS LIMITED WARRANTY OR ITS REMEDIES SPECIFIED HEREIN. WARRANTY DISCLAIMER THIS WARRANTY IS MIDMARK'S ONLY WARRANTY AND IS IN LIEU OF ALL OTHER WARRANTIES, EXPRESS OR IMPLIED. MIDMARK MAKES NO IMPLIED WARRANTIES OF ANY KIND INCLUDING ANY IMPLIED WARRANTIES OF MERCHANTABILITY OR FITNESS FOR A PARTICULAR PURPOSE. THIS WARRANTY IS LIMITED TO THE REPAIR OR REPLACEMENT OF DEFECTIVE PARTS.

STATUTE OF LIMITATIONS No action may be brought against Midmark for breach of this limited warranty, an implied warranty, if any, or for any other claim arising out of or relating to the products, more than ninety (90) days following expiration of the limited warranty period.

NO AUTHORIZATION No person or firm is authorized to create or approve for Midmark any other obligation or liability in connection with the products.



Enregistreur de données (9A682001)

Anglais
Français

Modèles concernés :

M9® (-020/-021/-022)
(-033/-034)
(-040/-041/-042/-043)
M9D (-020/-022/-042)
M11® (-020/-021/-022)
(-033/-034)
(-040/-041/-042/-043)
M11D (-020/-022)



Guide de l'utilisateur

Table des matières

Renseignements importants

<u>Consignes de sécurité</u>	3
<u>Interférences électromagnétiques</u>	3
<u>Symboles de sécurité</u>	4
<u>Glossaire des symboles</u>	4
<u>Conditions de transport/stockage</u>	4
<u>Utilisation prévue</u>	5
<u>Capacités</u>	5
<u>Identification des modèles de stérilisateurs compatibles</u>	5
<u>Commandes et indicateurs</u>	6
<u>Clé USB</u>	7

Fonctionnement

<u>Écran d'accueil</u>	8
<u>Pendant le cycle</u>	8
<u>Achèvement du cycle</u>	9
<u>Cycle accepté par l'opérateur</u>	9
<u>Cycle rejeté par l'opérateur</u>	10

Menus supplémentaires

<u>Navigation dans le menu</u>	11
<u>Menus Informations sur le produit</u>	11
<u>Affichage du numéro de série de l'enregistreur de données</u>	11
<u>Affichage du numéro de série du stérilisateur</u>	11
<u>Affichage de la version du microprogramme de l'enregistreur de données</u>	11
<u>Configuration de l'utilisateur</u>	13
<u>Réglage du nom du stérilisateur</u>	14
<u>Réglage du numéro de série du stérilisateur</u>	15
<u>Exemple de journal du cycle de stérilisation (PDF)</u>	16

Caractéristiques techniques

<u>Environnement de fonctionnement</u>	18
--	----

Maintenance/dépannage

<u>Maintenance de votre enregistreur de données</u>	18
<u>Demande d'assistance</u>	18
<u>Dépannage/codes d'erreur</u>	19

Renseignements sur la garantie

<u>Étendue de la garantie</u>	20
-------------------------------------	----

Renseignements importants

Consignes de sécurité

Le premier souci de Midmark est l'utilisation et l'entretien de cet équipement dans le respect de la sécurité du patient et du personnel. Pour assurer un fonctionnement sûr et fiable :

- Veillez à bien avoir lu et compris le présent manuel avant de tenter de configurer ou de faire fonctionner l'enregistreur de données.
- Veillez à ce que le personnel concerné ait connaissance du contenu du présent manuel.

Interférences électromagnétiques

L'enregistreur de données Midmark est prévu pour une utilisation dans l'environnement électromagnétique indiqué dans le guide de l'utilisateur du stérilisateur Midmark. Le client ou l'utilisateur de l'enregistreur de données Midmark doit s'assurer que l'appareil est utilisé dans un tel environnement.

Ce produit est conçu et fabriqué pour limiter les interférences électromagnétiques avec d'autres appareils. Cependant, en cas d'interférences entre un autre appareil et ce produit :

- Retirez de la pièce l'appareil avec lequel le produit interfère.
- Raccordez l'appareil dans un circuit isolé.
- Augmentez la distance séparant l'enregistreur de données et l'appareil avec lequel il interfère.
- Contactez Midmark Corporation si les interférences persistent.



AVERTISSEMENT

L'utilisation d'accessoires, de transducteurs et de câbles autres que ceux spécifiés ou fournis par le fabricant de cet équipement peut induire une augmentation des émissions électromagnétiques ou une diminution de l'immunité électromagnétique de cet équipement et entraîner un mauvais fonctionnement.



AVERTISSEMENT

Cet équipement ne doit pas être utilisé à proximité ou posé sur d'autres équipements pour éviter tout risque de mauvais fonctionnement. Si une telle utilisation est nécessaire, il convient de confirmer que cet équipement et les autres équipements fonctionnent normalement.



Avertissement concernant l'équipement

Les équipements de communication à radiofréquences portables (y compris les périphériques tels que les câbles d'antenne et les antennes externes) ne doivent pas être utilisés à moins de 30 cm (12 pouces) de toute partie de l'appareil, y compris les câbles indiqués par le fabricant. Cela pourrait entraîner une diminution des performances de cet équipement.

Symboles de sécurité



AVERTISSEMENT

Signale un danger potentiel qui pourrait entraîner des blessures graves.



Attention

Signale un danger potentiel qui risque d'entraîner des blessures modérées ou mineures. Peut également servir à mettre en garde contre des pratiques dangereuses.



Avertissement concernant l'équipement

Signale un danger potentiel qui pourrait endommager l'équipement.

Glossaire des symboles



Orientation correcte pour transport



Conserver au sec



Fragile



Numéro de catalogue



Date de fabrication



Numéro de série



Fabrication

Conditions de transport/stockage

Plage de températures ambiantes :	-30 °C à +60 °C (-22 °F à 140 °F)
Humidité relative :	10 à 90 % (sans condensation)
Pression atmosphérique :	49,6 kPa à 106,4 kPa (7,2 à 15,4 psi abs.)

Utilisation prévue

L'enregistreur de données Midmark est conçu pour être raccordé à un stérilisateur Midmark et pour stocker de manière électronique les données relatives au cycle du stérilisateur telles que : numéro de série du stérilisateur, date et heure d'exécution du cycle, paramètres du cycle de stérilisation, erreurs et autorité chargée de l'approbation du cycle.

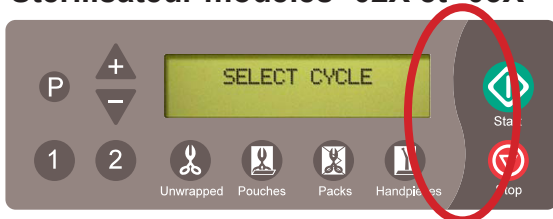
Capacités

L'enregistreur de données est compatible avec les stérilisateurs Midmark®/Ritter® M9®/M9®D-02X, M11®/M11®D-02X équipés de la version 1.0.3 ou ultérieure du logiciel d'exploitation, et tous les stérilisateurs Midmark®/Ritter® M9®/M9®D-03X/-04X, M11®/M11®D/-03X/-04X. L'enregistreur de données crée et stocke un dossier électronique du cycle de stérilisation comprenant la date et l'heure, l'identification du stérilisateur (8 caractères au maximum) et l'opérateur chargé de l'approbation (3 caractères au maximum). L'enregistreur de données stocke les données et télécharge automatiquement un fichier PDF sur la clé USB intégrée pour pouvoir les transférer aisément sur un PC à des fins d'accès et de sauvegarde de secours. En outre, l'enregistreur de données stocke jusqu'à 12 identifiants d'opérateurs en vue de faciliter l'accès par plusieurs opérateurs.

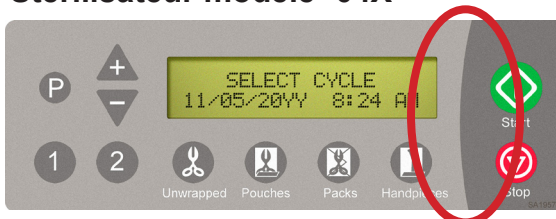
REMARQUE : L'enregistreur de données ne peut pas être utilisé en association avec les imprimantes 9A259001 ou 9A599001.

Identification des modèles de stérilisateurs compatibles.

Stérilisateur modèles -02X et -03X



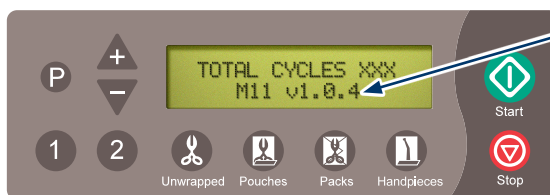
Stérilisateur modèle -04X



L'enregistreur de données est compatible avec la plupart des modèles de stérilisateurs -02X, et tous les modèles -03X et -04X. Reportez-vous aux images pour identifier les modèles de stérilisateurs si besoin.

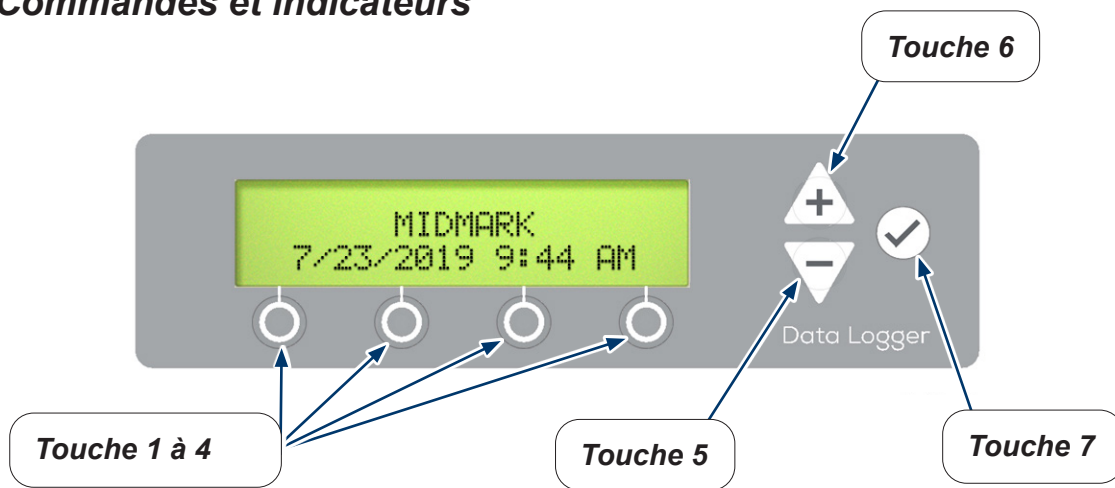
Remarque

Les modèles de stérilisateurs -02X doivent être munis de la version 1.0.3 ou 1.0.4 du logiciel d'exploitation pour que l'enregistreur de données soit compatible. Vérifiez que votre stérilisateur dispose d'un logiciel compatible. Pour déterminer la version du logiciel de votre stérilisateur, mettez l'unité sous tension. La version du logiciel s'affiche pendant le cycle de démarrage. Si votre stérilisateur possède un logiciel d'exploitation différent, contactez votre représentant Midmark pour connaître les options possibles.



Version
du
logiciel

Commandes et indicateurs



Les différentes touches permettent l'exécution des fonctions suivantes :

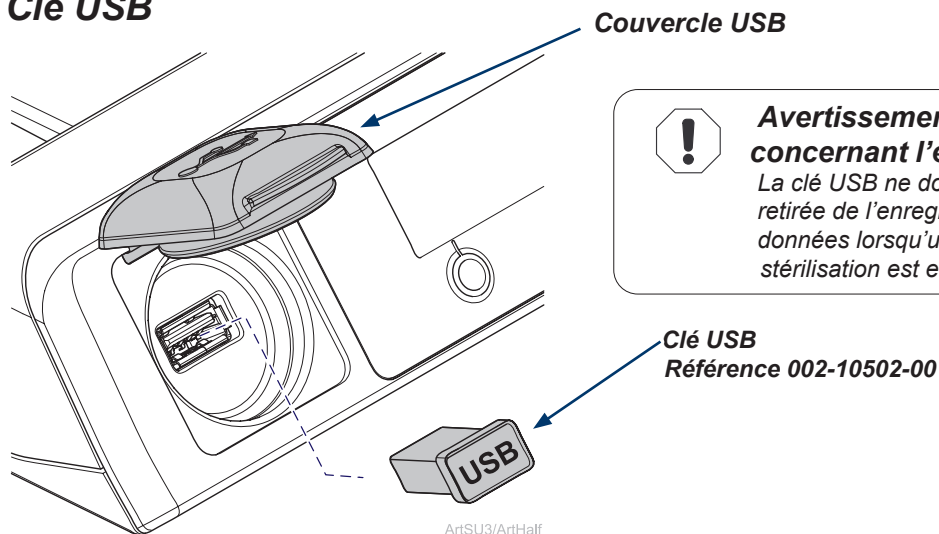
Touche 1 à 4 : Sélection de la fonction affichée directement au-dessus si disponible.

Touche 5 : (Moins) – Défilement vers le bas des menus ou des valeurs.

Touche 6 : (Plus) – Défilement vers le haut des menus ou des valeurs.

Touche 7 : (Entrée) – Sélection de la valeur ou progression dans le menu.

Clé USB



Avertissement concernant l'équipement

La clé USB ne doit pas être retirée de l'enregistreur de données lorsqu'un cycle de stérilisation est en cours.

Clé USB.

- Pour assurer la compatibilité, utilisez uniquement les clés USB fournies par Midmark pour l'enregistreur de données.
- Midmark recommande de réaliser une sauvegarde de secours quotidienne du contenu de l'enregistreur de données sur un PC (ou à défaut au moins une fois par semaine).
- La clé USB est utilisée pour transférer les données de l'enregistreur de données vers le PC à des fins de sauvegarde de secours.
- Veillez à ce que le couvercle USB soit fermé lors de l'utilisation du stérilisateur et de l'enregistreur de données.
- En cas d'utilisation d'une clé USB toute neuve, le transfert de tous les fichiers pourrait prendre plus de temps (en fonction du nombre de cycles exécutés). Cela ne devrait se produire qu'une fois par clé USB neuve.

Transfert de données de l'enregistreur de données vers le PC à des fins de sauvegarde de secours.

- Retirez la clé USB de l'enregistreur de données.
- Branchez la clé USB à un PC.
- Naviguez vers l'explorateur de fichiers sur le PC.
- Ouvrez le dossier de la clé USB sur le PC.
- Recherchez le dossier correct identifié à l'aide du numéro de série du stérilisateur.
- Transférez des données vers le PC.
- Veuillez consulter un professionnel de l'informatique compétent pour obtenir de l'aide pour le transfert du fichier si nécessaire.



Avertissement concernant l'équipement

Après la réinstallation de la clé USB dans l'enregistreur de données, autorisez la copie de tous les fichiers avant d'utiliser le stérilisateur.

Fonctionnement

Écran d'accueil.

- L'un de ces menus principaux s'affiche sur l'enregistreur de données lorsqu'il est prêt à exécuter un cycle. L'affichage par défaut est MIDMARK, sauf si le nom du stérilisateur a été configuré.
- Les modèles -04X n'affichent pas la date ni l'heure sur l'affichage de l'enregistreur de données.

Modèles -02X et -03X



ArtHalf



ArtHalf

Modèles -04X



ArtHalf



ArtHalf

Pendant le cycle.

- L'enregistreur de données indique la progression du cycle de stérilisation par le clignotement de la barre en-dessous de la phase de cycle active.



ArtHalf

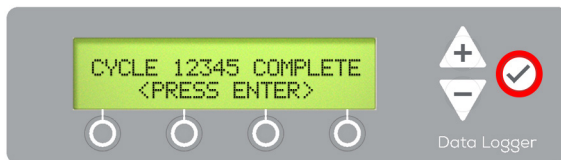


Attention

Si l'utilisateur arrête le cycle pendant la phase de cycle de séchage, les instruments devront être vérifiés pour s'assurer qu'ils sont secs avant d'accepter la charge.

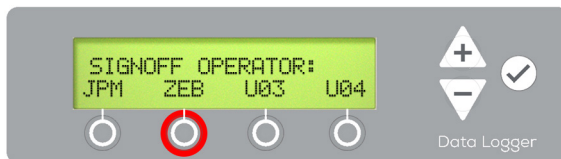
Achèvement du cycle.

- Lorsque le cycle de stérilisation est achevé, appuyez sur ENTRÉE (✓), puis sélectionnez votre touche de fermeture de session d'opérateur.



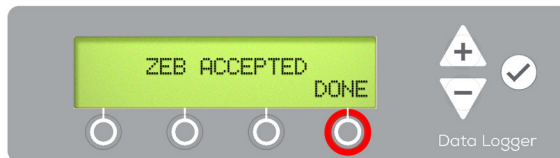
Note

L'écran Cycle complete (cycle terminé) indique le nombre actuel de cycles de stérilisation finalisés. Le nombre de cycles de stérilisation ne figure pas sur cet écran dans les premières versions de l'enregistreur de données.



Cycle accepté par l'opérateur.

- Pour accepter le cycle, appuyez sur la touche ACCEPTER puis sur la touche TERMINÉ. Les informations sur le cycle seront sauvegardées par l'enregistreur de données, le stérilisateur est prêt à exécuter le cycle suivant.



Remarque

Une fois le cycle terminé, ouvrez la porte et vérifiez l'état des instruments. Acceptez ou rejetez la charge de stérilisation en fonction de vos protocoles de stérilisation. Du personnel qualifié chargé de la prévention des infections doit établir un protocole pour le traitement des instruments stérilisés. Ce protocole doit être suivi par tout le personnel responsable de la manipulation des instruments stérilisés.

Cycle rejeté par l'opérateur.

- Pour rejeter le cycle, appuyez sur la touche REJETER puis sur la touche PLUS ou MOINS pour accéder au motif de l'échec, et enfin sur ENTRÉE (✓). Les informations sur le cycle seront sauvegardées par l'enregistreur de données, le stérilisateur est prêt à exécuter le cycle suivant.



ArtHalf



ArtHalf



ArtHalf



ArtHalf



ArtHalf

Menus supplémentaires

Navigation dans le menu

- Les touches **PLUS** et **MOINS** permettent de changer les caractères.
 - Appuyez sur la touche et maintenez-la enfoncée pour faire défiler les caractères disponibles lors de la saisie de données.
- La touche **SUIVANT** permet d'avancer vers le champ suivant.
- La touche **TERMINÉ** permet d'avancer vers le menu suivant lorsque la saisie de données est terminée.
- La touche **RETOUR** permet d'effacer le caractère précédent ou de revenir au menu précédent.

Espaces vides

Pour saisir un espace vide dans une série de caractères sur l'enregistreur de données, accédez au caractère d'espacement situé entre la lettre A et le chiffre 9 puis appuyez sur ENTRÉE/TERMINÉ.

Pression ENTRÉE (✓)

Le fait d'appuyer sur ENTRÉE (✓) à n'importe quel moment permet d'accepter tous les caractères à gauche du curseur clignotant pour conclure cette étape. Cela pourrait entraîner la création de champs vides indésirables.

Menus Informations sur le produit.

- Naviguez jusqu'au menu Informations sur le produit à l'aide de la touche MOINS puis appuyez sur ENTRÉE (✓).
- Utiliser les TOUCHES PLUS et MOINS pour afficher le numéro de série de l'enregistreur de données, le numéro de série du stérilisateur et la version actuelle du microprogramme.
- Appuyez une fois sur la touche RETOUR pour revenir au menu précédent ou deux fois pour revenir au menu principal.



ArtHalf



ArtHalf



ArtHalf



ArtHalf

Réglage de la date/de l'heure.

- Naviguez jusqu'au menu Réglage de la date/de l'heure à l'aide de la touche MOINS puis appuyez sur ENTRÉE (✓).
- Utilisez les touches PLUS ou MOINS afin d'ajuster les valeurs pour chaque menu puis appuyez sur SUIVANT.
- Lorsque le réglage AM/PM est terminé, appuyez sur la touche TERMINÉ pour conclure la configuration de la date et de l'heure.

Remarque

Le réglage de la date/de l'heure n'est pas nécessaire pour les stérilisateurs modèle -04X. Ces modèles utilisent la date/l'heure du stérilisateur et non l'enregistreur de données pour les enregistrements de stérilisation.



ArtHalf



ArtHalf



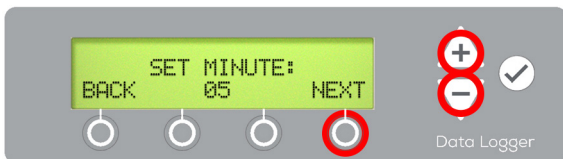
ArtHalf



ArtHalf



ArtHalf



ArtHalf



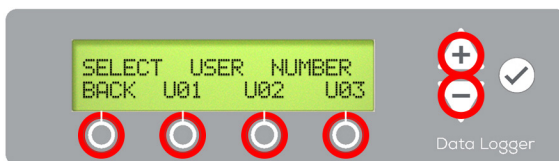
ArtHalf

Configuration de l'utilisateur.

- Naviguez jusqu'au menu Configuration de l'utilisateur à l'aide de la touche MOINS puis appuyez sur ENTRÉE (✓).
- Il est possible de configurer 1 à 12 utilisateurs (initialement désignés U01-U12) dans l'enregistreur de données. Utilisez les touches PLUS et MOINS pour faire défiler les identificateurs d'utilisateur afin d'en sélectionner un pour la configuration.
- Saisissez un identificateur unique contenant 1 à 3 caractères pour chaque utilisateur du stérilisateur en utilisant PLUS, MOINS, SUIVANT, TERMINÉ. Lorsque tous les utilisateurs ont été saisis et identifiés, sélectionnez « Non » lorsqu'on vous demande de configurer un autre utilisateur.



ArtHalf



ArtHalf



ArtSU3/ArtHalf

Remarque

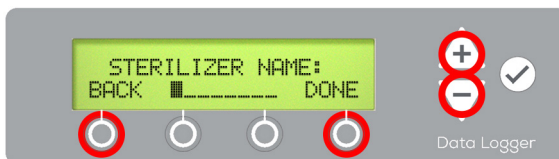
Le nom d'utilisateur fera partie du dossier électronique dès sa réception. La configuration des noms d'utilisateur est facultative.

Réglage du nom du stérilisateur.

- Naviguez jusqu'au menu Réglage du nom du stérilisateur à l'aide de la touche MOINS puis appuyez sur ENTRÉE (✓).
- Saisissez le nom du stérilisateur à l'aide des touches PLUS, MOINS, SUIVANT/TERMINÉ et RETOUR.
- Le nom du stérilisateur peut contenir 1 à 8 caractères.



ArtHalf



ArtHalf

Remarque

Le nom du stérilisateur fera partie du dossier électronique dès sa réception. La configuration du nom du stérilisateur est facultative.

Réglage du numéro de série du stérilisateur.

- Naviguez jusqu'au menu Numéro de série à l'aide de la touche MOINS puis appuyez sur ENTRÉE (✓).
- Saisissez le numéro de série du stérilisateur à l'aide des touches PLUS, MOINS, SUIVANT/TERMINÉ et RETOUR.
- Le numéro de série peut contenir jusqu'à 9 caractères. Si le numéro de série contient moins de 9 caractères, naviguez jusqu'à l'espace vide (entre A et 9) et appuyez sur SUIVANT/TERMINÉ, ou appuyez sur ENTRÉE (✓) après avoir saisi le dernier caractère.



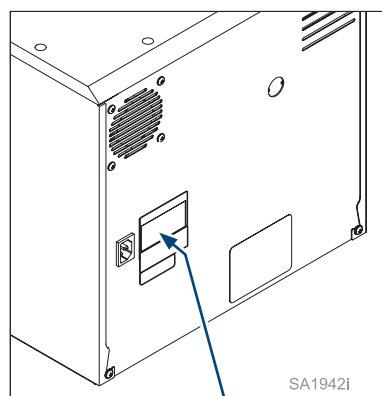
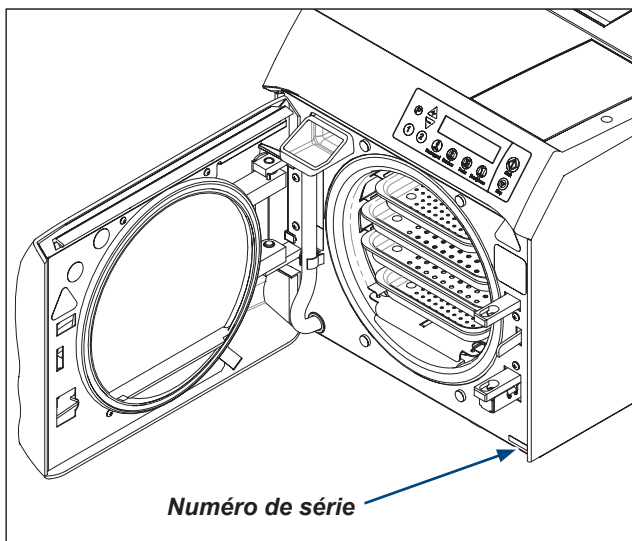
ArtHalf



ArtHalf

Remarque

Veillez à ce que le numéro de série du stérilisateur attribué à l'enregistreur de données soit correct pour que les enregistrements de données de stérilisation soient conservés avec précision.



Journal du cycle de stérilisation (PDF)

Nom du stérilisateur

Sterilizer ID

(ID du stérilisateur)
(Numéro de série)

Date et heure du
début du cycle

Paramètres de durée,
de température et de
la stérilisation et de
durée de séchage

Lors de la phase de
chauffage, l'enregistreur
de données consigne
la température et la
pression de la cuve
toutes les 30 minutes.

Remarque

L'enregistreur de données
stocke les descriptions
détaillées de chaque
cycle de stérilisation au
format PDF imprimable.
L'enregistreur de données
archive ces fichiers
dans des dossiers
créés automatiquement
par date.

Midmark M11 - v1.0.4

Total Cycles: 41

Name: MIDMARK
Sterilizer ID: V2072130
01/16/202X 08:54 AM

BEGIN UNWRAPPED CYCLE

Temp: 270 Degrees F
Time: 3 Minutes
Dry: 1 Minutes

FILLING CHAMBER

HEATING

mm:ss	Degrees	PSI
0:00	66.2 F	0.0
0:30	66.3 F	0.0
1:00	66.6 F	0.0
1:30	68.1 F	0.0
2:00	71.4 F	0.0
2:30	77.2 F	0.0
3:00	87.8 F	0.0
3:30	89.4 F	0.0
4:00	90.7 F	0.0
4:30	92.6 F	0.0
5:00	93.3 F	0.0
5:30	100.7 F	0.0
6:00	110.1 F	0.0
6:30	120.4 F	0.0
7:00	132.5 F	0.0
7:30	145.9 F	0.0
8:00	155.3 F	0.4
8:30	161.7 F	1.2
9:00	167.9 F	2.0
9:30	173.8 F	3.0
10:00	178.9 F	4.0
10:30	182.5 F	4.9
11:00	187.1 F	5.9
11:30	191.7 F	6.9
12:00	195.9 F	7.9
12:30	199.7 F	8.9
13:00	203.4 F	9.8
13:30	207.4 F	10.9
14:00	210.4 F	11.9
14:30	213.1 F	12.9
15:00	213.3 F	9.8
15:30	216.5 F	6.0
16:00	219.6 F	5.8
16:30	222.9 F	6.8
17:00	225.9 F	7.8
17:30	228.6 F	8.8
18:00	231.4 F	9.8
18:30	233.9 F	10.9
19:00	236.7 F	12.0
19:30	239.3 F	13.2
20:00	236.6 F	10.3
20:30	233.4 F	8.1
21:00	235.9 F	9.5
21:30	239.2 F	11.0
22:00	242.3 F	12.4
22:30	244.0 F	12.5
23:00	239.2 F	10.0

Numéro de modèle
et version du logiciel

Nombre total de
cycles effectués
par l'appareil

Cycle sélectionné

Indication du lancement de
la phase de remplissage

Journal de cycle normal

- Ceci est un exemple de cycle de stérilisation finalisé et validé.

Suite :

mm:ss	Degrees	PSI
23:30	237.9 F	9.6
24:00	241.5 F	11.4
24:30	245.1 F	13.1
25:00	248.4 F	14.7
25:30	251.5 F	16.4
26:00	254.6 F	18.0
26:30	257.4 F	19.6
27:00	260.3 F	21.3
27:30	263.1 F	23.0
28:00	265.7 F	24.7
28:30	268.5 F	26.4
29:00	271.0 F	28.2
29:30	272.6 F	28.9

Indication du lancement de
la phase de stérilisation

STERILIZING

mm:ss	Degrees	PSI
0:00	271.6 F	28.6
0:30	271.9 F	28.5
1:00	272.3 F	28.8
1:30	272.6 F	29.1
2:00	272.9 F	29.3
2:30	272.7 F	29.4
3:00	272.2 F	29.0
Min	271.6 F	28.4
Max	272.9 F	29.4

Lors de la phase de
stérilisation, l'enregistreur
de données consigne
la température et la
pression de la cuve
toutes les 30 secondes

VENTING CHAMBER

Indication du
lancement de la
phase de ventilation

DRYING

Indication du
lancement de la
phase de séchage

mm:ss		
0:00	Drying Start	
1:00	Drying Complete	
FILLING:	0:40	
HEATING:	29:44	
STERILIZING:	3:00	
VENTING:	2:56	
DRYING:	1:00	
TOTAL CYCLE:	00:37:19	

Résumé du cycle

CYCLE COMPLETE

01/16/202X 09:32 AM
ACCEPTED: X
REJECTED:
Operator: A02

Charge récapitulative
acceptée par l'opérateur

Journal du cycle de stérilisation avec code d'erreur (exemple).

- ARTICLES NON STÉRILES Lorsqu'un code d'erreur apparaît au cours d'un cycle, la charge en cours de stérilisation n'est pas stérile.
- L'exemple ci-dessous montre qu'un appui sur le bouton d'arrêt a été effectué pendant le cycle de stérilisation, ce qui déclenche un code d'erreur C104 et interrompt le cycle.
- Les paramètres au moment où l'erreur est survenue s'affichent pour faciliter le dépannage. La date et l'heure de l'erreur s'affichent également.

Suite :

STERILIZING		
mm:ss	Degrees	PSI
0:00	271.6 F	28.6
0:30	271.9 F	28.5
1:00	272.3 F	28.8
1:30	272.6 F	29.1
2:00	272.9 F	29.3
2:30	272.7 F	29.4

C104: STERILIZE MODE STOP PRESSED
 CHAMBER TEMP 273F
 CHAMBER PRESS 29.0PSI
 ELAPSED TIME 02:38

** ITEMS NOT STERILE **

10/20/202X 03:52 PM

Lors de la phase de stérilisation, l'imprimante enregistre la température et la pression de la cuve toutes les 30 secondes

Code d'erreur et description

Paramètres du cycle au moment de l'erreur

Articles non stériles

Date et heure de l'erreur

Journal du cycle de stérilisation rejeté par l'opérateur.

- L'exemple ci-dessous montre que le cycle de stérilisation a été rejeté par l'opérateur en raison d'un défaut au niveau d'un indicateur.
- Les paramètres au moment où l'erreur est survenue s'affichent pour faciliter le dépannage. La date et l'heure de l'erreur s'affichent également.

Suite :

FILLING:	0:40
HEATING:	29:44
STERILIZING:	3:00
VENTING:	2:56
DRYING:	1:00
TOTAL CYCLE:	00:37:19

CYCLE COMPLETE

01/16/202X 09:32 AM

ACCEPTED:
 REJECTED: X
 Reason: Fail Indicator
 Operator: A02

Résumé du cycle

Charge récapitulative rejetée par l'opérateur en raison d'un défaut au niveau d'un indicateur.

Caractéristiques techniques

Environnement de fonctionnement

Température ambiante	+20 °C à +40 °C (68 °F à 104 °F)
Humidité relative	< 80 % (sans condensation)
Altitude de fonctionnement normal :	< 3 000 m (9842 ft.) au-dessus du niveau de la mer
Environnement de fonctionnement	Utilisation en intérieur uniquement

Maintenance/dépannage

Maintenance de votre enregistreur de données

Nettoyage des surfaces externes

- A) *Nettoyez quotidiennement l'extérieur de l'enregistreur de données, conformément à la procédure de votre établissement pour les surfaces de contact cliniques, en tenant compte de ce qui suit : (utilisez uniquement des désinfectants à base d'ammonium quaternaire pour désinfecter l'unité. Une coloration, des piqûres, une décoloration ou un ramollissement pourraient se produire en cas d'utilisation de désinfectant phénolique, iodophore ou à base de glutaraldéhyde sur les surfaces en plastique de l'unité. L'utilisation d'alcool ou de spray nettoyant en aérosol/de désinfectant contenant d'importantes quantités d'alcool dans leur formule peut également endommager le plateau).*
- B) *Essorez le chiffon avant de l'utiliser.*
- C) *À l'aide d'un chiffon doux, essuyez toutes les surfaces externes.*
- D) *Suivez les instructions fournies avec le nettoyant/désinfectant utilisé en ce qui concerne le rinçage et le séchage des surfaces externes.*



Avertissement concernant l'équipement

Veillez à ce que le couvercle USB soit fermé lors du nettoyage pour empêcher l'entrée de nettoyeurs/d'humidité dans la cavité USB.

Demande d'assistance

Contactez votre revendeur autorisé Midmark ou connectez-vous sur www.midmark.com. Les informations concernant le modèle et le numéro de série figurant à l'arrière de l'unité seront requises pour toute demande d'assistance.

Pour contacter directement Midmark :

+1.937.526.3662

de 8:00 à 17:00 ET (du lundi au vendredi)

(hors jours fériés normaux aux États-Unis)

Dépannage/codes d'erreur

Affichage/symptôme	Cause	Vérification/mesure
Erreur de mémoire	Erreur lors de la tentative de lecture ou d'écriture de données de configuration internes à l'enregistreur de données.	Éteignez puis rallumez l'enregistreur de données.
		Si l'erreur persiste, remplacez l'enregistreur de données.
Erreur de carte SD	Échec de lecture ou d'écriture de carte SD ou déconnexion de carte SD.	Éteignez puis rallumez l'enregistreur de données.
		Si l'erreur persiste, remplacez l'enregistreur de données.
Erreur de clé USB	Échec de lecture ou d'écriture de clé USB.	Assurez-vous que la clé USB est solidement insérée.
		Éteignez puis rallumez l'enregistreur de données.
		Remplacez la clé USB.
		Si l'erreur persiste, remplacez l'enregistreur de données.
Erreur de transfert de fichiers	Échec de la copie d'un ou de plusieurs fichiers de la carte SD vers la clé USB.	Retirez la clé USB de l'enregistreur de données puis réinsérez-la. Cela lancera le transfert de fichiers de la carte SD vers la clé USB.
		Si l'erreur persiste, remplacez la clé USB.
		Si l'erreur persiste, remplacez l'enregistreur de données.
	La clé USB est déconnectée pendant le processus de transfert de fichiers.	Retirez la clé USB de l'enregistreur de données puis réinsérez-la. Cela lancera le transfert de fichiers de la carte SD vers la clé USB.
		Si l'erreur persiste, remplacez la clé USB.
		Si l'erreur persiste, remplacez l'enregistreur de données.
Erreur de pile d'horloge	La pile de l'horloge interne est faible ou déchargée.	Remplacez l'enregistreur de données.
Erreur de création de PDF	Erreur de création du PDF du cycle de stérilisation ou de sauvegarde du fichier sur la carte SD.	Exécutez un autre cycle de stérilisation. Si l'erreur persiste, remplacez l'enregistreur de données.
Erreur de copie du fichier de configuration	L'enregistreur de données ne parvient pas à lire les paramètres de configuration du fichier de configuration sur la carte SD.	Retirez la clé USB de l'enregistreur de données. Supprimez le fichier de configuration de la clé USB et téléchargez un nouveau fichier de configuration sur la clé USB en suivant la procédure d'enregistrement en ligne. Insérez la clé USB dans l'enregistreur de données et mettez à jour le fichier de configuration.
		Si l'erreur persiste, remplacez la clé USB par le nouveau fichier de configuration téléchargé en suivant la procédure d'enregistrement en ligne.
		Si l'erreur persiste, remplacez l'enregistreur de données.
Erreur de mise à jour du microprogramme	Une erreur s'est produite sur l'enregistreur de données lors de la mise à jour du microprogramme.	Redémarrez l'enregistreur de données avec une clé USB contenant le fichier de mise à jour du microprogramme pour redémarrer la mise à jour du microprogramme.
		Si l'erreur persiste, procurez-vous une nouvelle clé USB contenant un nouveau fichier de mise à jour du microprogramme et réessayez.
		Si l'erreur persiste, remplacez l'enregistreur de données.

Dépannage/codes d'erreur - suite...

Affichage/symptôme	Cause	Vérification/mesure
Erreur de blocage de touche	L'enregistreur de données détecte qu'une touche sur la membrane est bloqué.	Essayez de débloquer la touche manuellement et redémarrez l'enregistreur de données.
		Si l'erreur persiste, remplacez l'enregistreur de données.
L'écran de l'enregistreur de données n'affiche pas le dernier remplissage	Version logicielle du stérilisateur antérieure à 1.0.3	La version logicielle du stérilisateur doit être la version 1.0.3 ou plus récente (modèles -02X).
		Les numéros de série du stérilisateur doivent être programmés dans tous les circuits imprimés principaux du stérilisateur de remplacement.

Garantie limitée de l'équipement médical Midmark® + Ritter® (tables, chaises, tabourets de praticiens, lampes, postes de travail et stérilisateurs) médecins, lampes, postes de travail et stérilisateurs)

CADRE DE GARANTIE Midmark Corporation (« Midmark ») s'engage auprès de l'acquéreur initial à réparer ou à remplacer, au gré de Midmark, les produits médicaux locaux et internationaux fabriqués par Midmark (hormis les composants non garantis en vertu des « Exclusions ») qui sont défectueux au niveau du matériel ou de la qualité d'exécution dans des conditions normales d'utilisation et de service. Le seul recours admissible aux termes de la présente garantie limitée est la réparation ou le remplacement des composants concernés, au gré de Midmark. La présente garantie limitée ne s'applique qu'aux défauts signalés à Midmark durant la période de garantie applicable et dont Midmark détermine après examen qu'ils existent. La présente garantie s'étend au seul acquéreur initial d'un produit et n'est ni transférable, ni cessable. Des composants ou produits de remplacement peuvent être utilisés, ou encore des composants ou produits rénovés, à condition qu'ils présentent une qualité et des spécifications identiques à celles des composants ou produits neufs.

Midmark s'engage auprès de l'acquéreur initial à réparer ou remplacer les logiciels contenus dans les produits fabriqués par Midmark (hormis ceux non garantis en vertu des « Exclusions ») pendant la période de garantie applicable si : (1) le support sur lequel le logiciel est fourni présente des défauts matériels ou d'exécution dans des conditions normales d'utilisation ; ou (2) le logiciel n'est pas fondamentalement conforme aux spécifications annoncées.

PÉRIODE DE GARANTIE APPLICABLE La période de garantie applicable est d'un (1) an pour tous les produits et composants couverts par la garantie, à compter de la date de facturation à l'acheteur au détail initial du produit. Les nettoyeurs à ultrasons QuickClean® sont garantis pour une période de trois (3) ans.

OBTENTION DU SERVICE DE GARANTIE Le service de garantie doit être mis en œuvre par Midmark ou un distributeur agréé de la ligne de produits de Midmark pour laquelle le service de garantie est requis. Les demandes ou questions liées au service de garantie Midmark peuvent être adressées par courrier électronique sur midmark.com ou par téléphone au +1.937.526.3662 ou par courrier à Midmark Corporation, 60 Vista Drive, Versailles, Ohio 45380. L'acquéreur a l'obligation de prendre ses dispositions auprès de Midmark ou de tout revendeur agréé pour mettre en place un service de garantie, service qui est à la charge de l'acquéreur. L'acquéreur est également dans l'obligation de se conformer aux instructions du service de garantie fourni par Midmark ou son distributeur agréé. L'acquéreur doit fournir à Midmark les renseignements relatifs à l'enregistrement de la garantie dans les trente (30) jours consécutifs à l'achat afin de pouvoir jouir de la garantie.

EXCLUSIONS : Midmark ne peut être tenu pour responsable des cas suivants, qui ne sont pas couverts par la garantie limitée :

- (1) les malfaçons, dommages ou autres conditions provoquées, en tout ou en partie, par une utilisation abusive ou incorrecte, une négligence, une modification, un accident, des dommages subis pendant le transport, une négligence dans l'entreposage, une altération ou une demande de réparation ou de remplacement hors délais ;
- (2) les produits qui ne sont pas installés, utilisés, nettoyés et entretenus correctement tel qu'exigé ou recommandé dans les guides « Installation » ou « Installation/Fonctionnement » de Midmark pour le produit concerné, y compris les conditions environnementales structurelles et opérationnelles et les exigences électriques ;
- (3) les produits considérés comme étant de nature consommable ou stérile ;
- (4) les accessoires ou pièces n'étant pas fabriqués par Midmark ;
- (5) les frais appliqués par quiconque pour des réglages, des réparations, des pièces de remplacement, l'installation ou toute autre tâche accomplie sur ou en rapport avec lesdits produits, qui ne sont pas expressément autorisés au préalable et par écrit par Midmark ;
- (6) les frais d'entretien et de nettoyage ordinaires ; et
- (7) les représentations et garanties données par toute autre personne ou entité que Midmark.
- (8) la correspondance de couleur, de grain ou de texture, hormis selon les normes commerciales acceptables ;
- (9) les changements de couleur causés par la lumière naturelle ou artificielle ;
- (10) les produits de fabrication sur mesure ;
- (11) les altérations ou modifications au produit par toute personne ou entité autre que Midmark ; et
- (12) les produits qui seraient sinon couverts par cette garantie limitée, mais qui ont été acquis : (i) auprès d'une personne ou d'un organisme autre que Midmark ou l'un de ses revendeurs agréés ; ou (ii) auprès d'un revendeur Midmark non autorisé à vendre le produit en cause sur le territoire géographique où se trouve l'acheteur ou non autorisé à vendre le produit en cause sur le marché médical.

LOGICIEL ; EN LIEN AVEC UN LOGICIEL QUI EST UN PRODUIT OU UN COMPOSANT D'UN PRODUIT, MIDMARK NE GARANTIT PAS QUE LE LOGICIEL : (1) EST EXEMPT D'ERREURS ; (2) PEUT ÊTRE UTILISÉ SANS PROBLÈME OU INTERRUPTION ; OU (3) EST EXEMPT DE VULNÉRABILITÉS AUX INTRUSIONS OU ATTAQUES DE VIRUS OU AUTRES PROCÉDÉS.

RECOURS EXCLUSIF ; AVIS DE NON-RESPONSABILITÉ POUR LES DOMMAGES INDIRECTS ; L'UNIQUE OBLIGATION DE MIDMARK DANS LE CADRE DE CETTE GARANTIE LIMITÉE EST LA RÉPARATION OU LE REMPLACEMENT DES PIÈCES DÉFECTUEUSES. MIDMARK NE PEUT ÊTRE TENU POUR RESPONSABLE ET DÉCLINE PAR LA PRÉSENTE TOUTE RESPONSABILITÉ POUR TOUT RETARD OU DOMMAGE DIRECT, PARTICULIER, INDIRECT, ACCIDENTEL, EXEMPLAIRE OU CONSÉCUTIF, Y COMPRIS, SANS S'Y LIMITER, LES DOMMAGES RELATIFS À UNE PERTE DE BÉNÉFICE OU DE REVENU, UNE PERTE D'USAGE, UNE PERTE DE DONNÉES, UN TEMPS D'INDISPONIBILITÉ, UNE COUVERTURE ET LES SALAIRES, PAIEMENTS ET AVANTAGES SOCIAUX D'EMPLOYÉS OU D'ENTREPRENEURS INDÉPENDANTS. CETTE EXCLUSION SURVIVRA À TOUT MANQUEMENT OU MANQUEMENT ALLÉGUÉ AU BUT ESSENTIEL DE CETTE GARANTIE LIMITÉE OU À SES RECOURS PRÉVUS. EXCLUSION DE GARANTIE : CETTE GARANTIE EST LA SEULE GARANTIE DE MIDMARK ET REMPLACE TOUTES LES AUTRES GARANTIES EXPLICITES OU IMPLICITES. MIDMARK N'ACCORDE AUCUNE GARANTIE IMPLICITE D'AUCUNE SORTE, Y COMPRIS LES GARANTIES IMPLICITES DE COMMERCIALISATION OU D'ADAPTATION POUR UNE UTILISATION PARTICULIÈRE. CETTE GARANTIE EST LIMITÉE À LA RÉPARATION OU AU REMPLACEMENT DE PIÈCES DÉFECTUEUSES.

PRESCRIPTION Aucune action ne peut être portée contre Midmark pour violation de la présente garantie limitée, d'une garantie implicite, le cas échéant, ou pour toute autre revendication découlant de ou relative aux produits, plus de quatre-vingt-dix (90) jours après expiration de la période de garantie limitée.

AUCUNE AUTORISATION Aucune personne ou société n'est autorisée à créer ou approuver d'autres obligations ou responsabilités pour Midmark en rapport avec les produits.

Midmark Corporation

60 Vista Drive

Versailles, OH 45380 USA

1.800.643.6275

+1.937.526.3662

midmark.com

