

# 40" Integrated Panel With WelchAllyn<sup>®</sup> Diagnostic System

# Installation Instructions

## Attention!

For OSHPD Regulated Installations, please go to [www.midmark.com](http://www.midmark.com) to download the appropriate OSHPD Pre-Approval and Installation documents.

## Unpacking Notes

- **Concealed Damage.** If there should be damage of such nature that it could not be detected until the goods were unpacked, have the Transportation Company's Agent come AT ONCE and inspect them. Require them to give you a "concealed" bad order report stating the condition of the goods when examined. It is their duty to do this and you should INSIST upon it.
- **If the Above Instructions are Complied With,** we shall cheerfully render all possible assistance in establishing claims against the Transportation Company for loss and damage in transit.
- **We Do Not Accept Goods Returned For Credit, Exchange, Repairs,** or for any other reason, unless you have first communicated with us and secured our written permission.

## Installation

### NOTE

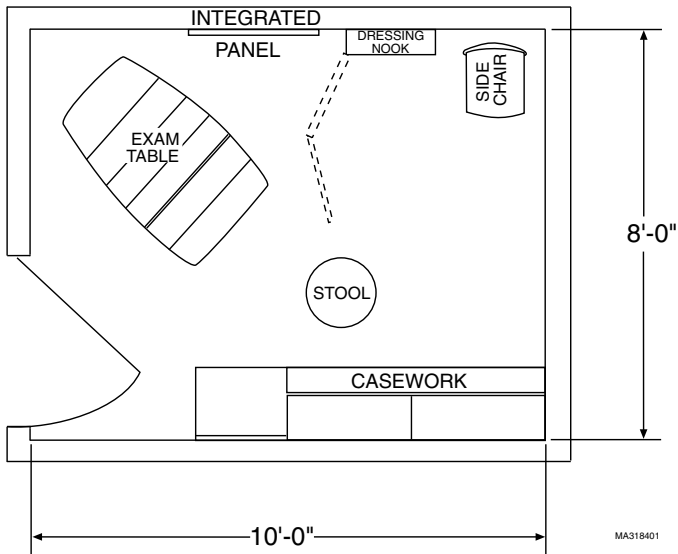
The Integrated Panel is mounted to the wall using steel mounting brackets (provided with the unit). Wall anchors and drywall screws are also provided to secure the mounting bracket to the wall. Figures 1 and 2 are suggested mounting configurations and locations only.

1. Using the customer or room layout drawing, determine where the Integrated Panel will be located. See Figure 1 for the suggested room layout.
2. Measure and mark the mounting location of the mounting bracket on the wall. See Figure 2.
3. Locate and mark the location of studs in reference to mounting bracket; an electronic stud finder may be useful.

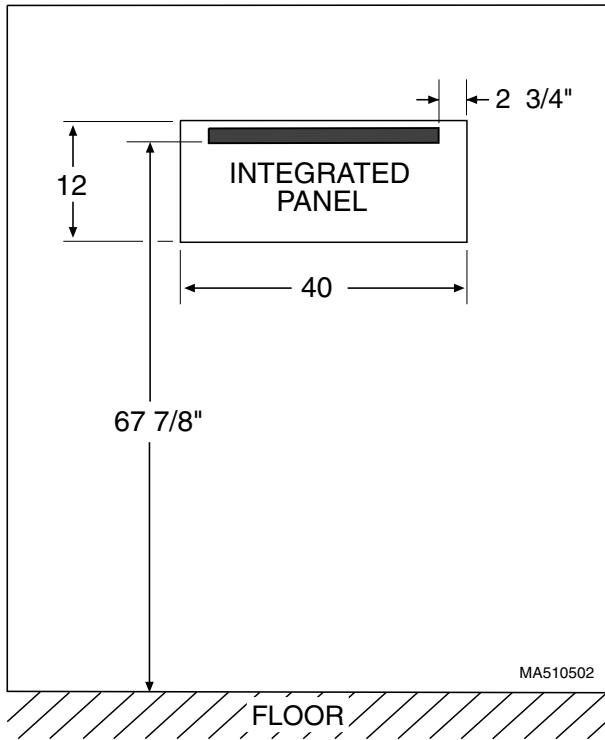
### NOTE

This note applies to steps 4 thru 6. When securing mounting brackets to a wall with metal studs, use sheet metal screws in place of drywall screws and when securing mounting brackets to a masonry / concrete block wall, use masonry screws in place of drywall screws and wall anchors.

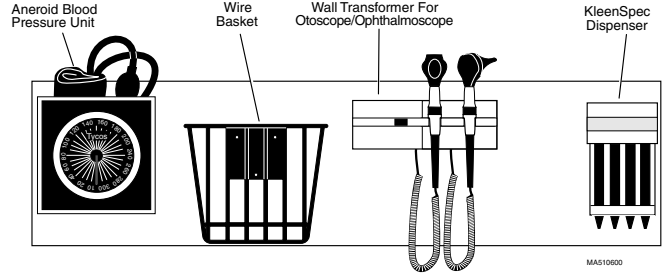
4. Place the mounting bracket in position on wall and mark the locations of all fasteners. Remove the mounting bracket and drill a 3/8 in. hole where all wall anchors are to be used; four holes per mounting bracket if a wall stud is not located and three holes per mounting bracket if a wall stud is located.
5. Install a wall anchor in each hole. Install a screw in each wall anchor and tighten far enough to secure the wall anchor in place. Then, remove all screws from the wall anchors.
6. Attach mounting bracket to the wall using wall anchor screws. Level the mounting bracket before securing to the wall.
7. Test mounting bracket for strength.
8. Mount the instruments to the Integrated Panel as follows using Figure 3 or 4 to properly position the instruments:  
Position the Aneroid Blood Pressure Unit on the single screw provided and then secure top of unit in place using two of the five additional screws provided. Position and secure the hanging basket with the three remaining screws. Install (hang) the remaining instrument assemblies on the pre-installed mounting screws.
9. Lift the Integrated Panel onto their mounting bracket.



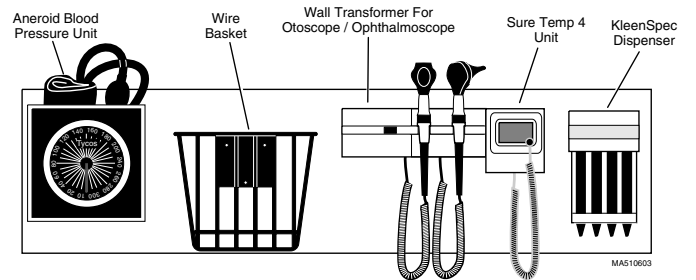
**FIGURE 1. SUGGESTED ROOM LAYOUT**



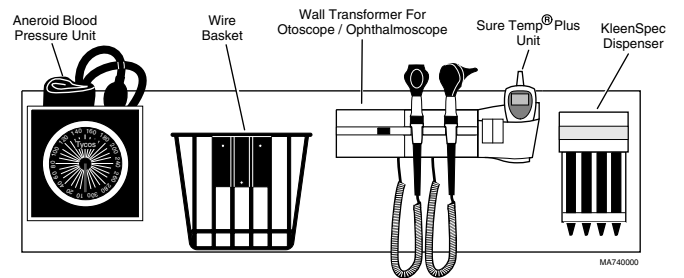
**FIGURE 2. MOUNTING BRACKET POSITIONING ON WALL**



**FIGURE 3. INSTRUMENT LOCATION FOR AN INTEGRATED PANEL - WITHOUT THERMOMETER**



**FIGURE 4. INSTRUMENT LOCATION FOR AN INTEGRATED PANEL - WITH SURE TEMP 4 THERMOMETER**



**FIGURE 5. INSTRUMENT LOCATION FOR AN INTEGRATED PANEL - WITH SURETEMP PLUS THERMOMETER**

*For questions or information regarding the medical instruments on the Integrated Panel, contact Welch Allyn, Inc. at 4341 State Street Road, Skaneateles Falls, NY 13153. [Tel: 315-685-4560]*

