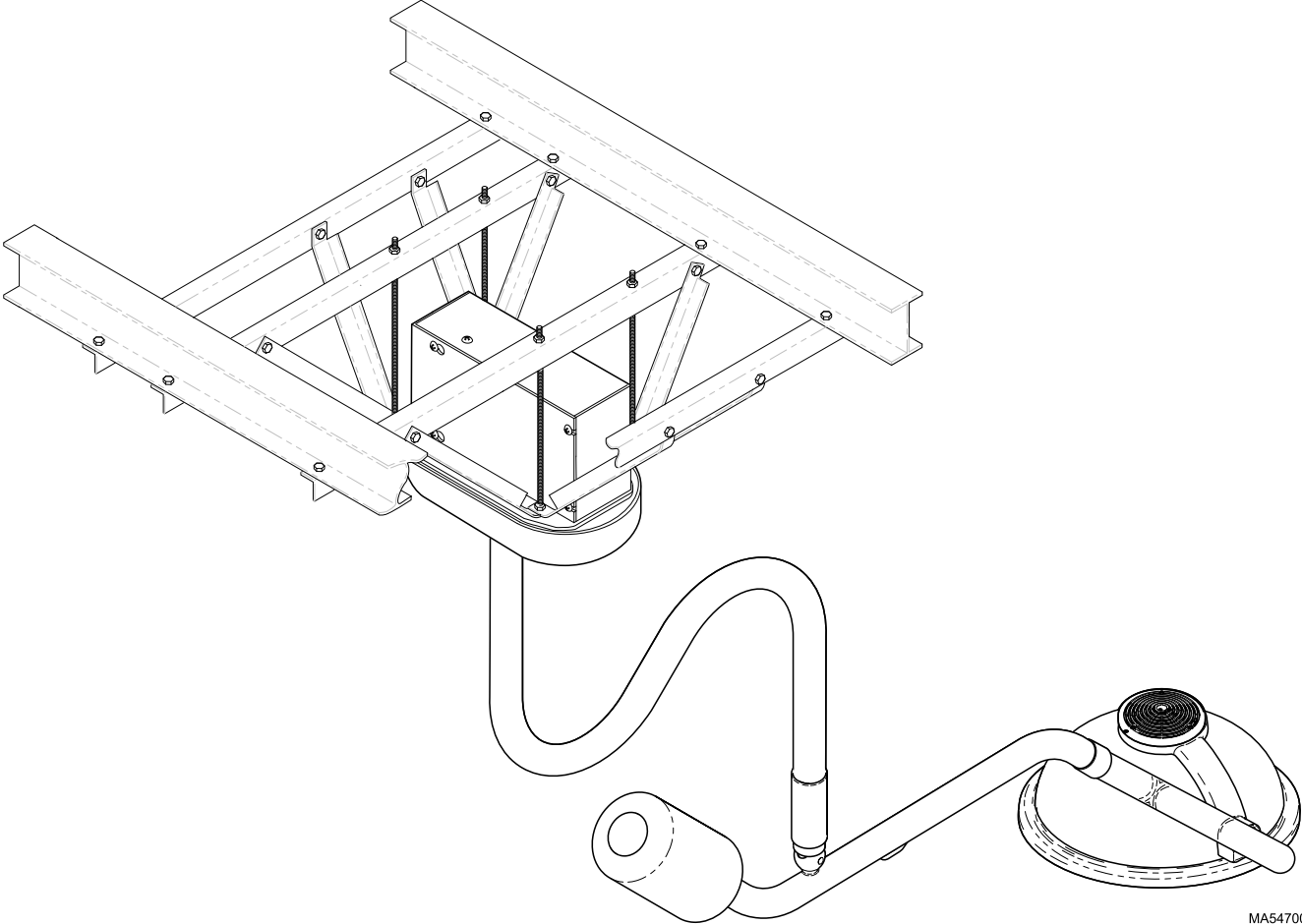


Installation Manual

355 Lighting System



MA547002

Owner's Product Identification

(information that you'll need to provide for servicing - key information is highlighted)

Date of Purchase

Serial Number(s) - Dual light systems will have a serial number on each down tube

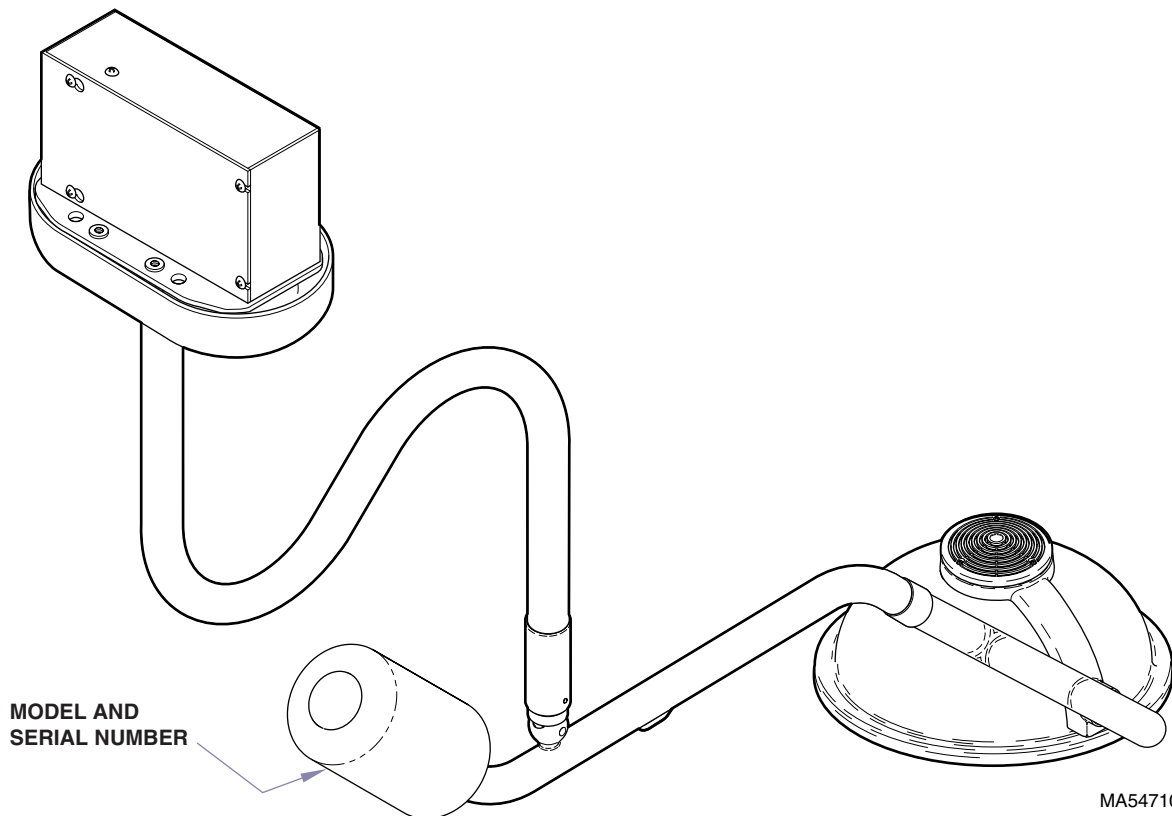
Name of Owner/Facility/Department

Model Number

Name of Authorized Dealer

Telephone # of Authorized Dealer

Address of Authorized Dealer



MA547100

Table of Contents

IMPORTANT INFORMATION

Scope And Purpose of this Manual	2
Safety Instructions	2
Safety Symbols and Notes	2
Transportation and Storage Conditions	2

GENERAL INFORMATION

Lighting System	3
Specifications	3
Range of Motion	4

355 LIGHTING SYSTEM INSTALLATION

Unpacking	5
Recommended Ceiling Mounting Locations (For Dental & and Medical Applications)	6
Ceiling Support Structure Installation	6
Electromagnetic Interference	8
Wiring Installation	8
Junction Box Wiring Connections	8
Ceiling Plate Assembly Installation	11
Down Tube Installation	12
Cross Tube Assembly Installation	13
Bulb Installation	14
Housing Cap Installation	15
Operational Test	15

TROUBLESHOOTING

Troubleshooting Guide	16
-----------------------------	----

ADJUSTMENTS

Ball Pivot Joint Tension Adjustment	17
Cross Tube Counterbalance Adjustment	18

LIGHT DIMENSIONS

Height and Clearance Dimension	19
--------------------------------------	----

CALLING FOR SERVICE 19

LIMITED WARRANTY 20

IMPORTANT INFORMATION

Scope and Purpose of Manual


This manual covers complete instructions for the installation of the 355 Lighting System and is intended to be used by personnel involved in the installation of the 355 Lighting System. The Operation Manual for the 355 Lighting System is a separate document and is intended for persons who will operate the 355 Lighting System.


Safety Instructions


The primary concern of Midmark is that this equipment be operated and maintained with the safety of the users in mind. To assure safer and more reliable operation, do the following: (1) Read this manual before installing your light assembly; (2) Assure that appropriate personnel are informed on the contents of this manual--this is the responsibility of the purchaser; (3) Be sure that you understand the instructions contained in this manual before attempting to install this light assembly; (4) Be sure that you have read and understand the instructions contained in the Operation Manual (a separate document) before attempting to operate this equipment.


Safety Symbols and Notes

Throughout this manual, there are danger, warning, caution, equipment alerts, and notes that call attention to particular procedures. The signal words and notes are used as follows:


 **DANGER**
Indicates an imminently hazardous situation, which, if not avoided, will result in death or serious injury. This signal word is limited to the most extreme situations.


 **WARNING**
Indicates a potentially hazardous situation, which, if not avoided, could result in death or serious injury.


 **CAUTION**
Indicates a potentially hazardous situation, which, if not avoided, may result in minor or moderate injury. It may also be used to alert against unsafe practices.


 **EQUIPMENT ALERT**
Indicates an imminently or potentially hazardous situation, which, if not avoided, will or may result in serious, moderate, or minor equipment damage.


NOTE
Note is used to amplify an operating procedure, practice, or condition.


 Indicates that the unit is rated: Type B, Applied Part.


 Indicates a protective earth ground.


 Indicates that the operator's manual should be consulted for important information.


 Indicates the product is fragile; do not handle roughly.

 Indicates the proper shipping orientation for the product.

 Indicates the presence of a dangerous voltage / shock hazard.

 Indicates the product must be kept dry.

 Indicates a fuse rating specification.

 Indicates a hot surface.

Transportation and Storage Conditions

Ambient Temperature Range: -30°C to +60°C
(-22°F to 140°F)
Relative Humidity: 10% to 90% (non-condensing)
Atmospheric Pressure: 500 hPa to 1060 hPa
(0.5 bar to 1.06 bar)

This product contains glass, so it should be transported and stored with care to limit vibration and shocks.

GENERAL INFORMATION

Lighting System

The 355 lighthouse assembly is a fixed-focus, faceted reflector lighthouse. The faceted reflector design of the lighthouse provides excellent cavity penetration, while also controlling shadows from light-blocking objects. The design also results in bright, even distribution of light. The individual beams of light are arranged to provide an evenly illuminated 8 inch diameter beam at a distance of 36 inches. The peak illumination at 36 inches is 4,000 fc (43,000 lux). The optical system filters out most of the infrared heat from the prefocused pattern of light. The plastic handle can be easily removed for sterilization or it accepts a Devon EZ Handle™ without requiring an awkward adapter. The lighthouse is made with a color molded, lightweight polymer resulting in a very lightweight lighthouse which is easy to position. The optical system is powered by a 24 VAC, 100 Watt bulb. The arm assemblies (suspension system) have been precisely designed, assembled, and balanced so that the lighthouse can be positioned with minimal force with no drifting occurring. In addition, the three pivots with 540° of rotation make the positioning of the lighthouse easy and flexible.

Specifications

See Table 1 for specifications on the 355 Lighting System.


Beam diameter @ 36 inches:	8" (defined by 20% of peak illumination)
Bulb:	100 W halogen lamp, 24 VAC
Color temperature:	4,200K
Diameter of lighthouse:	17"
Focal length:	36"
Illumination:	3,400fc, 36,600 lux
Power requirement:	120 VAC, 1.25 A, single phase
Rotation of lighthouse:	180° rotation at lamp tube connection
Rotation of lamp tube:	540° rotation at cross tube connection
Rotation of cross tube:	580° rotation at down tube connection
Vertical movement of cross tube:	-35° to +35° vertical movement
Rotation of down tube:	580° rotation at ceiling plate connection
Weight of 8 ft (2.44 m) single light assembly:	59 lbs. (26.8 kgs.)
Weight of 9 ft (2.74 m) single light assembly:	60 lbs. (27.2 kgs.)
Weight of 8 ft (2.44 m) dual light assembly:	105 lbs. (47.6 kgs.)
Weight of 9 ft (2.74 m) dual light assembly:	107 lbs. (48.5 kgs.)
Certifications:	 Classified by Underwriters Laboratories Inc. with respect to electric shock, fire, and mechanical hazards only in accordance with UL2601-1 and CAN/CSA C22.2, No.601.1.
Classifications:	ISO-9001 Certified Class 1, Type B applied part, Ordinary Equipment, Continuous Operation
Fuse Rating:	1.6 A, 250 V, Type T, low breaking capacity, 5mm x 20mm, IEC 127-2/3
Equipment not suitable for use in the presence of a flammable anesthetic mixture with air, oxygen, or nitrous oxide.	

Table 1. Model 355 Specifications

Range of Motion

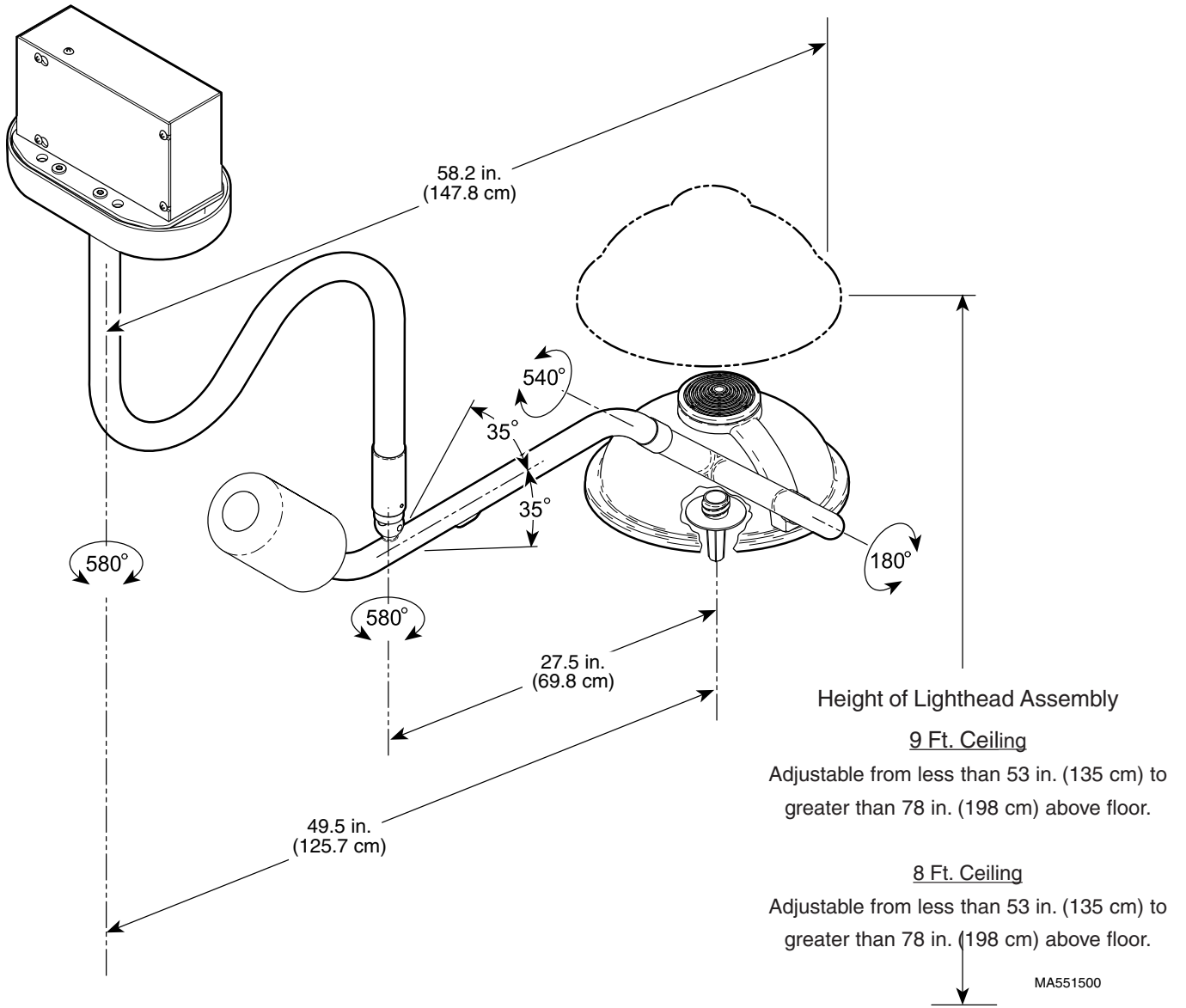


Figure 1. Range of Motion

355 LIGHTING SYSTEM INSTALLATION

Unpacking

NOTE

Below is a list of all the items which should be included in the shipping box(es). The first quantity indicates the number of items which should be present for a single lighting assembly while the second quantity indicates the number of items which should be present for a dual lighting assembly (Refer to Figure 2).

1. Cut banding and remove box lid from box.
2. Remove one/two cross tube/lighthouse assembly (1, Figure 2) and inspect.
3. Remove one/two down tube assembly (2) and inspect.
4. Remove one/two bag(s) (3) and inventory contents; the following items should be included:
 - 3a. Four #10-24 x 3/4" socket cap screws
 - 3b. Two/four #10-24 x 3/8" black oxide button head screws
 - 3c. Six/twelve 3/8"-16 hex nuts
 - 3d. Three/six 3/8" lockwashers
 - 3e. One/two #10-24 x 5/8" zinc plated button head screws
 - 3f. One/two #10-24 x 3/8" pan head screw
 - 3g. One/two 100 Watt Halogen bulb
 - 3h. One/two Sterilizable handle (inspect)
5. Remove one ceiling plate assembly (4) and inspect.
6. Remove one ceiling cover (5) and inspect.

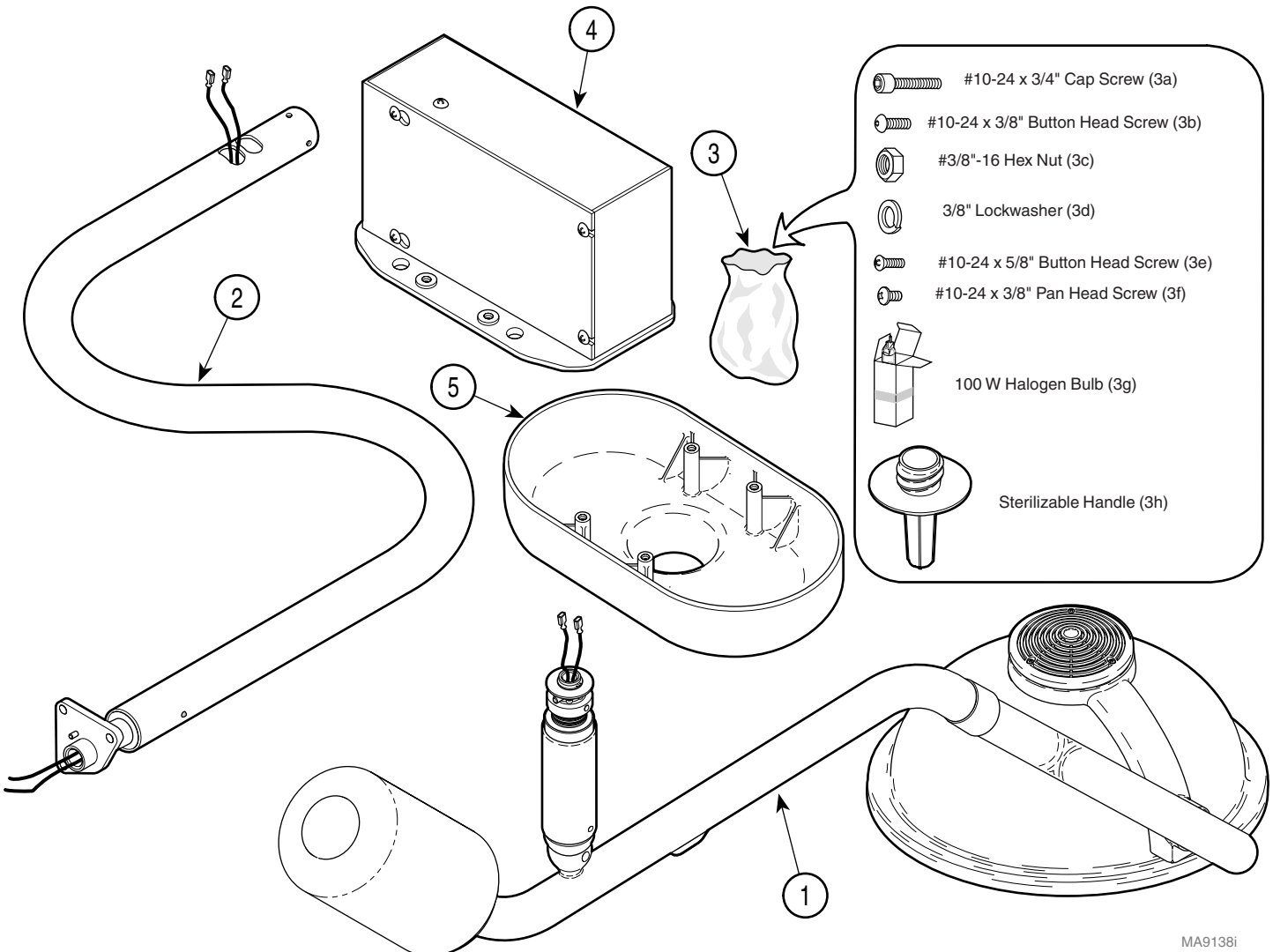


Figure 2. Components Unpacking and Inventory

Recommended Ceiling Mounting Locations (For Dental and Medical Applications)

See Figure 3 for recommended ceiling mounting locations. These locations allow the lighthead to be positioned over any portion of the patient's body without running into a physical arm restriction; mounting the light system on the centerline of the table or headrest will result in some areas of the patient's body not being able to be illuminated by the lighthead. Also, the light system should be mounted on the opposite side of the table as the doctor's work position, so the light system is not hanging above their head.

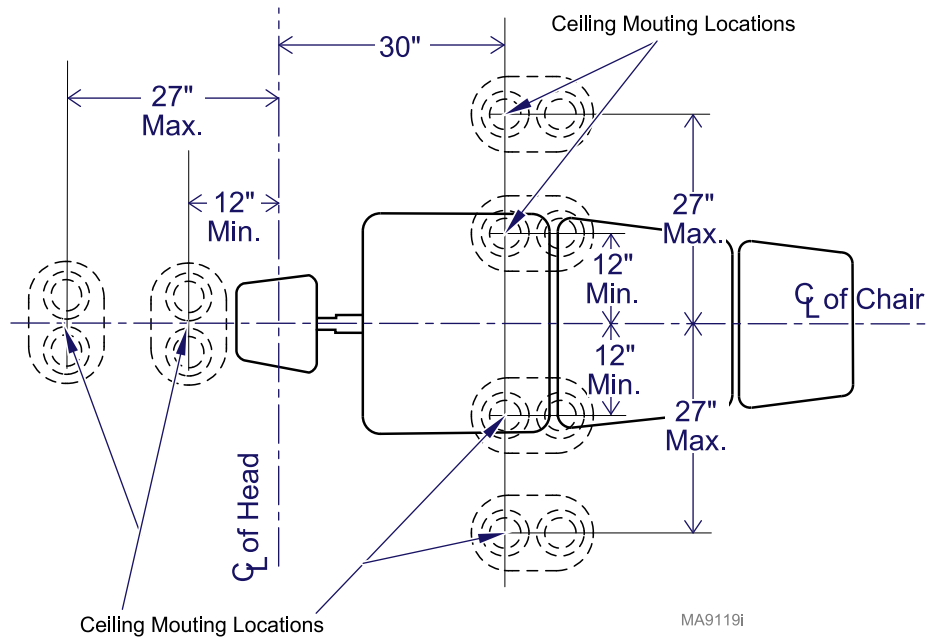


Figure 3. Recommended Ceiling Mounting Locations (For Dental and Medical Applications)

Ceiling Support Structure Installation

Weights:

- 8 ft (2.44 m) Single 355 Lighting System (less customer supplied ceiling structure): 59 lbs (26.8 kgs)
- 9 ft (2.74 m) Single 355 Lighting System (less customer supplied ceiling structure): 60 lbs (27.2 kgs)
- 8 ft (2.44 m) Dual 355 Lighting System (less customer supplied ceiling structure): 105 lbs (47.6 kgs)
- 9 ft (2.74 m) Dual 355 Lighting System (less customer supplied ceiling structure): 107 lbs (48.5 kgs)

Torques:

- 8 ft (2.44 m) Single 355 Lighting System: 69 ft-lbs (94 N•m)
- 9 ft (2.74 m) Single 355 Lighting System: 69 ft-lbs (94 N•m)
- 8 ft (2.44 m) Dual 355 Lighting System: 136 ft-lbs (184 N•m)
- 9 ft (2.74 m) Dual 355 Lighting System: 137 ft-lbs (186 N•m)

NOTE

The illustrations in Figure 4 are for suggestion only. Midmark does not supply ceiling structures. Consult a structural engineer for the best solution for your situation.

The 355 Lighting system requires a sturdy ceiling support structure to support the weight and the dynamic torque which will be applied to the support structure (See Figure 4).

The ceiling support structure must be strong enough to uphold the weight of the system and support the rotating suspension arms and lighthead(s) without deflection.

The 355 lighting system is engineered for ease of movement during positioning. The arm assemblies and lighthead(s) will rotate with a minimum of force, provided the arm assemblies are leveled and stay level. If, however, the ceiling support is weak and flexes, the weakness will have a negative impact on the operation of the arm assemblies during positioning.

If the ceiling support structure flexes too much, the lighthead(s) will drift to the lowest point. Although the arms are equipped with brakes to prevent drift, the undesirable side effect of stiffer braking, is that the arm

assemblies / lighthead(s) will be harder to move. For a set of arm assemblies to rotate without drift and a minimum amount of force, the ceiling plate assembly must not be allowed to deflect more than 1/16" over a 12" distance. The ceiling plate must be level and stay level when the arm assemblies are rotated in every position and all worst case scenarios (example: two sets of arm assemblies on one side). This means that the ceiling support structure must be braced in multiple directions.

The 355 lighting system comes in two different versions: an 8 foot version for an 8 foot ceiling and a 9 foot version for a 9 foot ceiling. The bottom of the ceiling plate assembly must be installed so it is flush with the finished surface of the facility's ceiling. See Figure 4. The ceiling cover is designed to fit up against the finished ceiling.

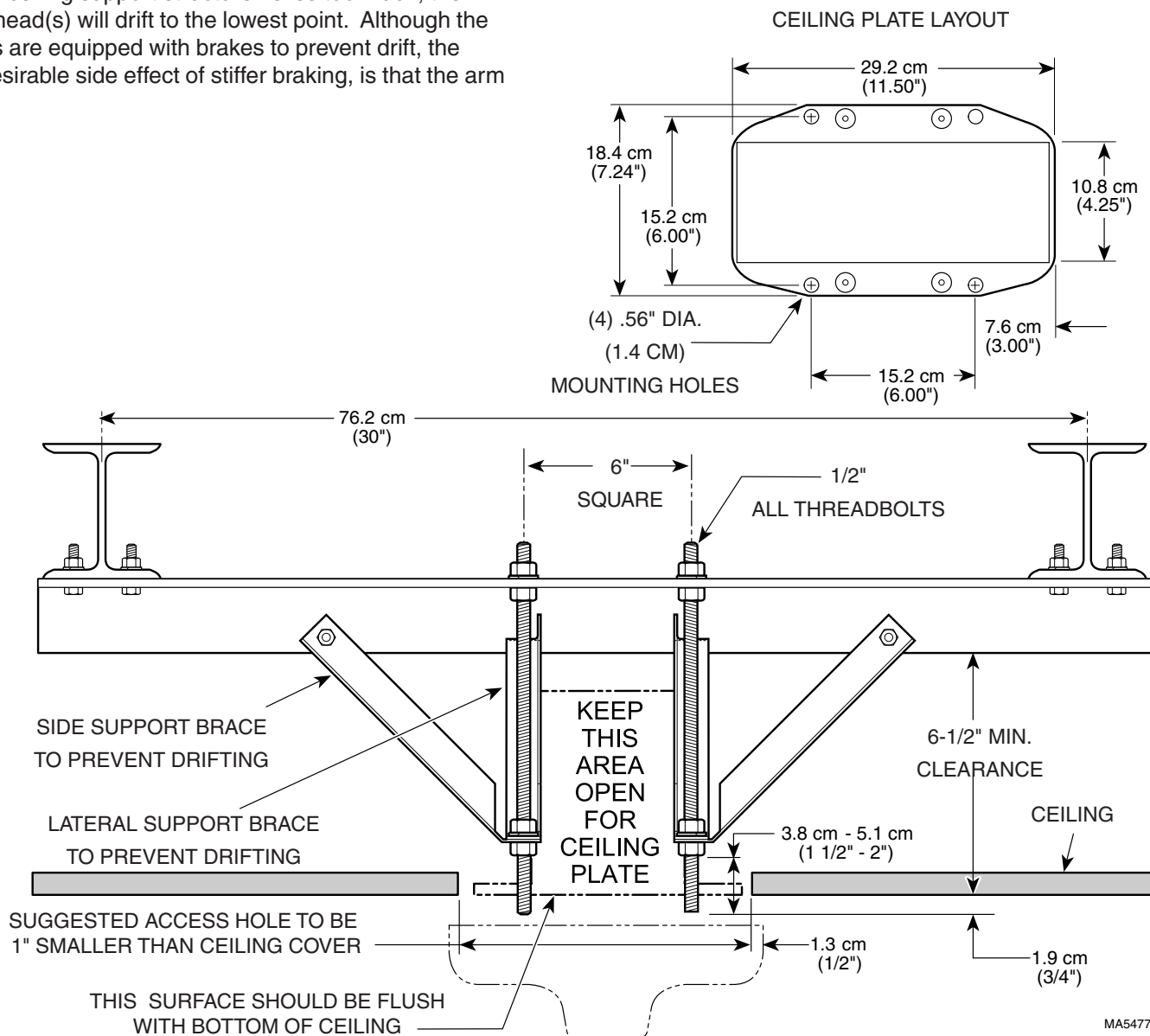


Figure 4. Suggested Ceiling Support Structure Installation
(Illustration applies to Single and Dual Mounted Lighting Systems)

Electromagnetic Interference

This product is designed and built to minimize electromagnetic interference with other devices. However, if interference is noticed between another device and this product, remove the interfering device from the room or wire this product into an isolated circuit.

Wiring Installation

The wiring, supplying power to the junction box of the 355 lighting system, must be supplied by the customer. The 355 lighting system requires 120 VAC input voltage. The wire should be 2-conductor with ground, 14 gauge copper wiring, rated for 120 VAC. The customer supplied wiring must be connected to the junction box with some form of strain relief fitting, preferably a conduit fitting. Connect and route the wiring according to state and local codes, using conduit where necessary. See wiring diagram, Figure 5.

Junction Box Wiring Connections (See Figure 5, sheets 1 and 2)



WARNING

Make sure facility supplied wiring is turned to off for the following step. Failure to do so could result in electrical shock causing serious personal injury or death.

1. Turn off facility power breaker so there **is no** power in customer supplied wiring.
2. Loosen four screws (1, Figure 7); then pull outward on box cover (2) and remove from junction box (3).
3. Install conduit fitting (customer supplied) in the knockout of the junction box (3).
4. Feed the facility supplied wiring through the knock-out in the junction box (3).



WARNING

Make sure facility supplied wiring is not shorted to junction box and do not touch wires during steps 5 and 6. Failure to do so could result in electrical shock causing serious personal injury or death.

5. Turn on facility power breaker so there **is** power in customer supplied wiring.
6. Using a multimeter, measure the input voltage between black power lead and white neutral lead of customer supplied wiring. Record this voltage. See Figure 5.



WARNING

Make sure facility supplied wiring is turned to off for the following step. Failure to do so could result in electrical shock causing serious personal injury or death.

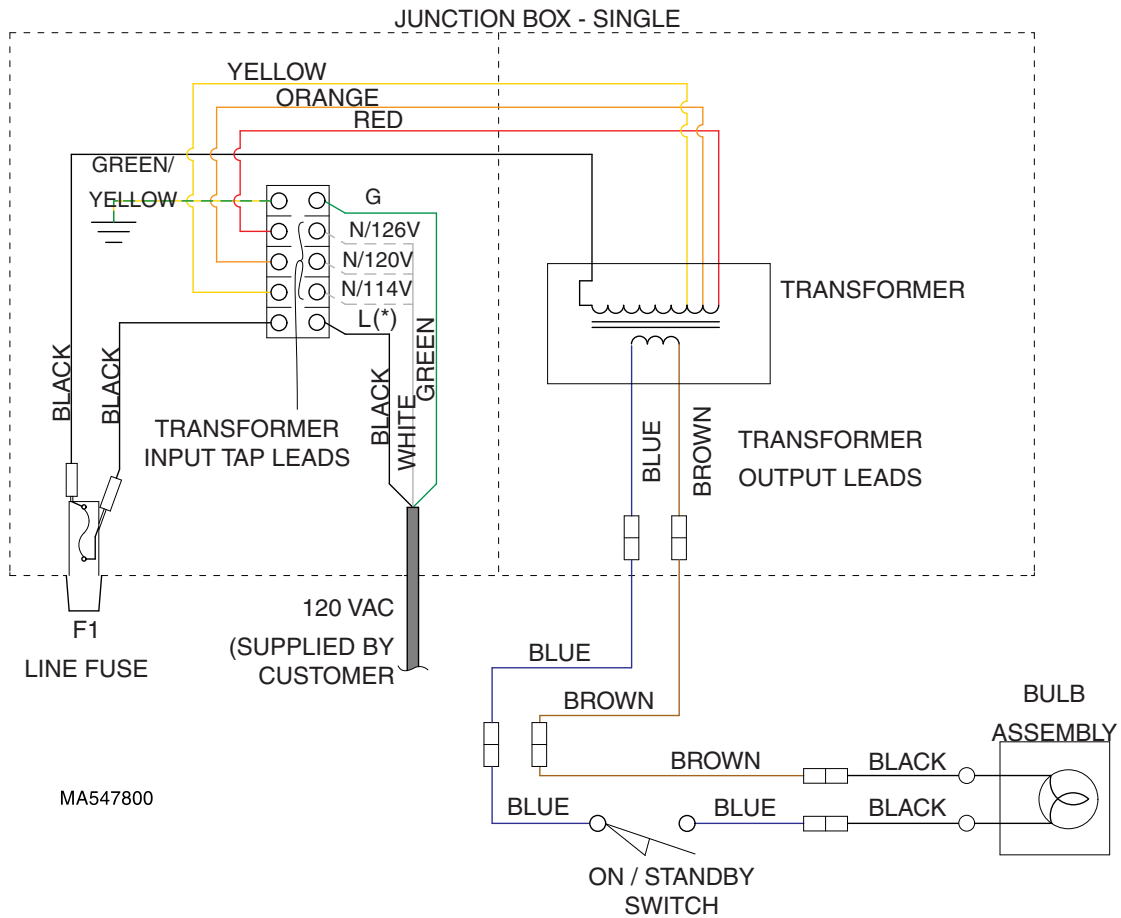
7. Turn off facility power breaker so there **is no** power in customer supplied wiring.
8. If voltage measured in step 6 was 117.0 VAC or lower, connect the white neutral lead of customer supplied wiring to the terminal marked **N/114V** for single units **or N1/114V or N2/114V** for double units (see Figure 5).
If voltage measured in step 6 was between 117.1 to 123.0 VAC, connect the white neutral lead of customer supplied wiring to the terminal marked **N/120V** for single units **or N1/120V or N2/120V** for double units (see Figure 5).
If voltage measured in step 6 was 123.1 VAC or higher, connect the white neutral lead of customer supplied wiring to the terminal marked **N/126V** for single units **or N1/126V or N2/126V** for double units (see Figure 5).
9. Connect the black power wire from customer supplied wiring to the terminal marked **L**.
10. Connect the green earth ground wire from customer supplied wiring to the terminal marked with a ground symbol.



CAUTION

Failure to properly connect and insulate wires in junction box could result in a short or electrical shock to personnel or improper system operation.

- **Always use a strain relief (conduit fitting) between facility wiring and the junction box.**
 - **Always connect the earth ground wires inside the junction box.**
 - **Double Units - Always make certain the white jumper wire is properly positioned.**
11. If light system is a dual light, the white jumper wire on the terminal block may need to be repositioned depending on the voltage measurement taken in step 6. If the voltage measurement was 117.0 VAC or lower, use white jumper wire to connect **N1/114V** to **N2/114V**. If the voltage measurement was 117.1 VAC to 123.0 VAC, keep white jumper wire where it is; connecting **N1/120V** to **N2/120V**. If the voltage measurement was 123.1 VAC or higher, use white jumper wire to connect **N1/126V** to **N2/126V**.



(* NOTE:

Select transformer input tap by measuring the input voltage. Then, connect the power lead (white wire) to one of the following terminals according to the input voltage measured:

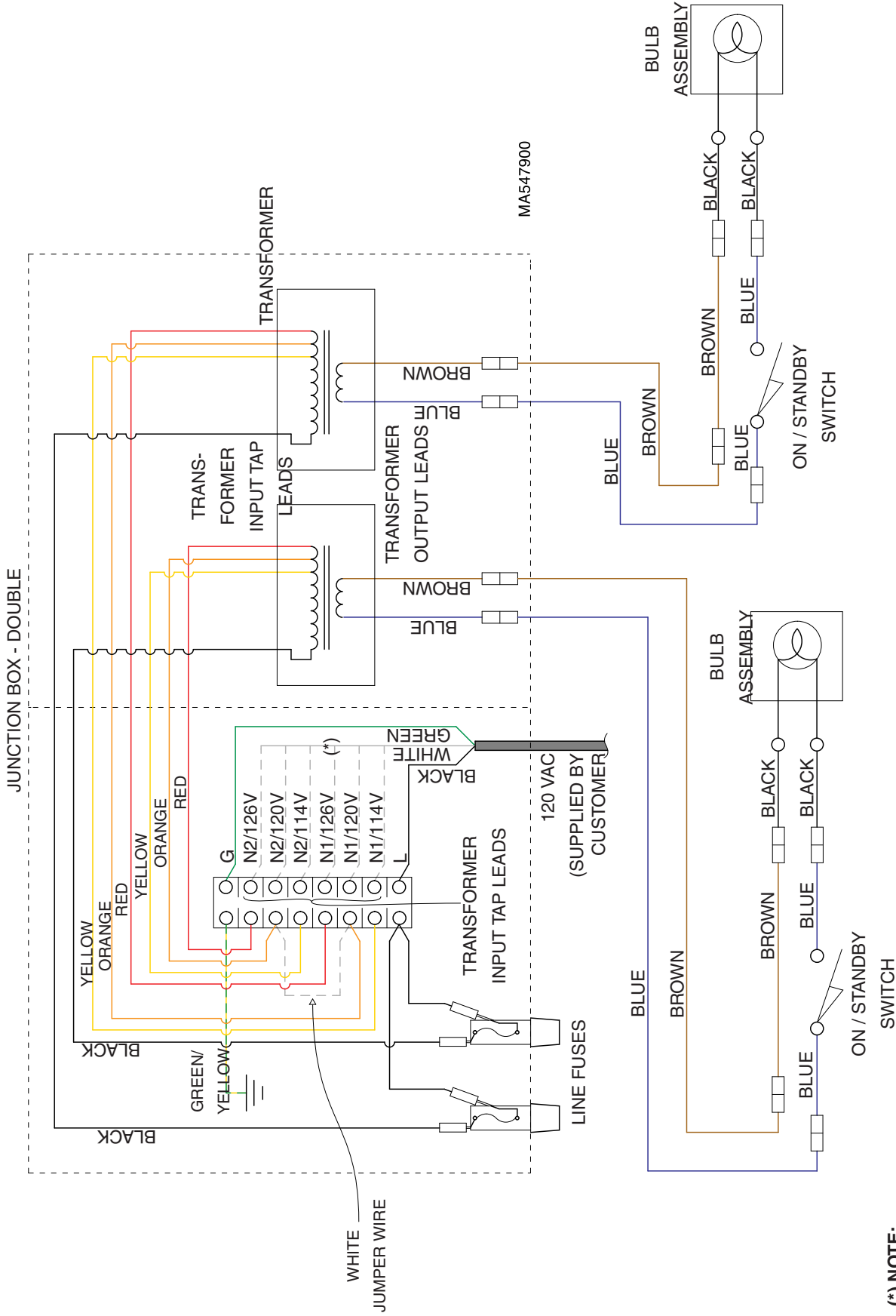
- 117.0 VAC or lower - Use terminal marked N/114V.
- 117.1 VAC to 123.0 VAC - Use terminal marked N/120V.
- 123.1 VAC or higher - Use terminal marked N/126V.

Figure 5. Wiring Diagram (Sheet 1 of 2). Single units

NOTE

It is especially important to perform steps 12 and 13 now if the ceiling is a drywall/plastered ceiling; these steps cannot be performed later.

12. Feed brown and blue transformer output wires out of wire hole (7, Figure 7) in bottom of junction box.
13. Position box cover (2) on junction box (3) and secure by tightening four screws (1).



MA547900

(*) NOTE:

Select transformer input tap by measuring the input voltage. Then, connect the power lead (white wire) to one of the following terminals according to the input voltage measured:

- 117.0 VAC or lower - Use the terminal marked N1/114V or N2/114V.
- 117.1 VAC to 123.0 VAC - Use the terminal marked N1/120V or N2/120V.
- 123.1 VAC or higher - Use the terminal marked N1/126V or N2/126V.

Figure 5. Wiring Diagram (Sheet 2 of 2). Double units

Ceiling Plate Assembly Installation

NOTE

The following step describes one typical way of mounting the ceiling plate assembly. However, this method may not work for all installations; if not use the following procedure for guidance only.

1. Install four 1/2" nuts (1, Figure 6) on four all-thread bolts (2) (not supplied) as far as possible.
2. Install ceiling plate assembly (3) on four all-thread bolts (2) and secure with four 1/2" lockwashers (4) and 1/2" nuts (5).

NOTE

For the following step, make sure nuts (1) **are not** contacting the ceiling plate assembly (3). Otherwise, leveling of ceiling plate assembly with nuts (5) will not be possible.

3. Adjust four nuts (5) until bottom of ceiling plate assembly (3) is flush with surface of ceiling.



WARNING

Failure to install nuts (5) so that there are at least two full threads visible below nuts, could result in unit falling.

4. Use a level to check the levelness of ceiling plate assembly (3) in all directions. Adjust four nuts (5) as necessary until the ceiling plate assembly (3) is level in all directions and flush with surface of ceiling.
5. Tighten nuts (1) against ceiling plate assembly (3); then recheck levelness of ceiling plate and readjust if necessary.

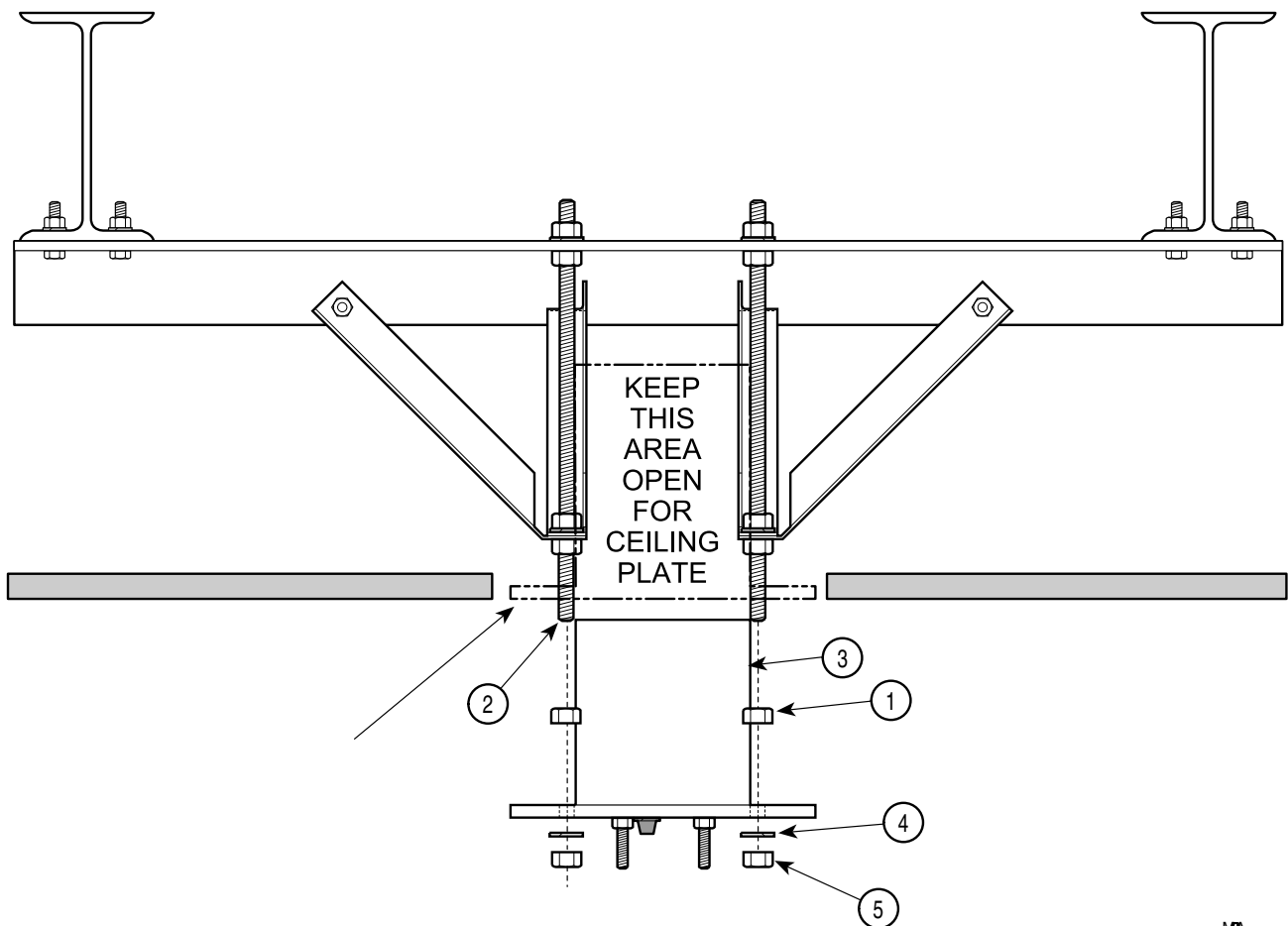


Figure 6. Suggested Ceiling Plate Assembly Installation

Down Tube Installation

1. Thread three 3/8" x 16 hex nuts (4, Figure 7) (supplied) onto three bolts (5) until they are hand-tight; then back off each nut 1 full turn.
2. Position down tube (6) near wire hole (7).
3. Connect brown wire (A) from junction box (3) to brown wire (A) from down tube (6).
4. Connect blue wire (B) from junction box (3) to blue wire (B) from down tube (6).
5. Install down tube (6) on three bolts (5) and secure with three 3/8" lockwashers (8) and 3/8" x 16 hex nuts (9) (supplied).
6. Under normal circumstances, the down tube (6) should be level enough to provide drift-free operation. If, after complete assembly and operation of the light system, drifting is observed, use a protractor or level (C) to adjust nuts (9) until down tube (6) is vertical ($\pm 0.5^\circ$); then tighten nuts (4).
7. If light system is a dual light, repeat steps 1 through 6 for remaining down tube (6).
8. Slide ceiling cover (10) onto down tube(s) (6).
9. Attach ceiling cover (10) to ceiling plate (11) with four #10-24 x 3/4" screws (12) (supplied).

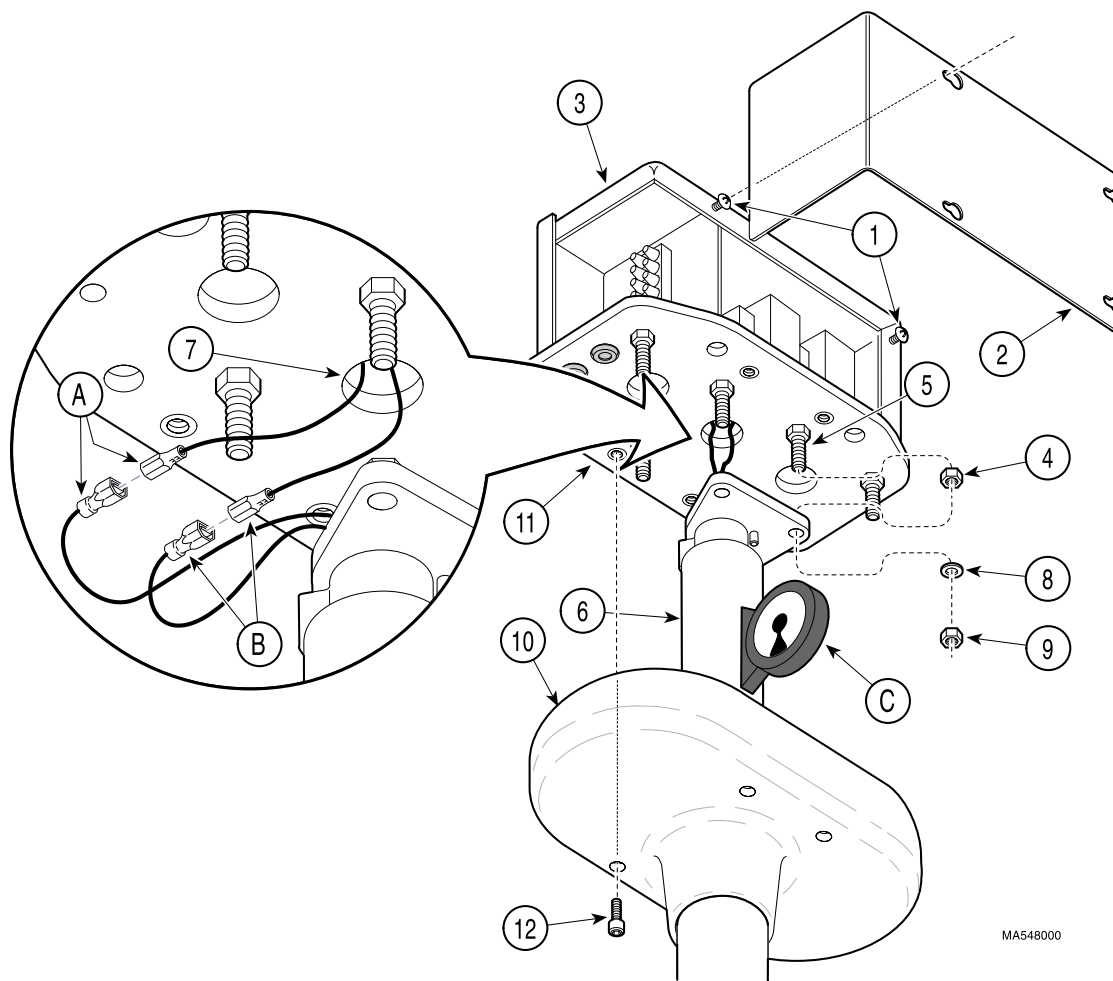
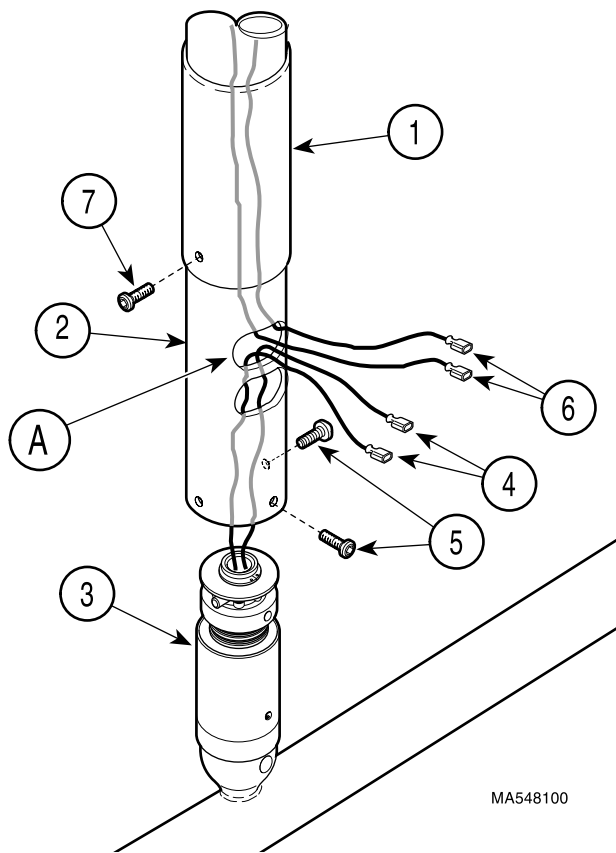


Figure 7. Down Tube Installation



MA548100

3. Align three screw holes; then insert pivot shaft of cross tube assembly (3) into down tube (2). Secure cross tube assembly in position with two #10-24x3/8" black oxide button head screws (5).
4. Feed two wires (4) through top window (A) of down tube (2).
5. Connect brown wire (4) to brown wire (6) and blue wire (4) to blue wire (6). Push wires into top window (A).
6. Slide ball pivot sleeve (1) down into position and secure with one #10-24x3/8" (New Units Only) phillips head screw (7) (Refer to page 4).

Figure 8. Cross Tube Assembly Installation

Cross Tube Assembly Installation

1. Slide ball pivot sleeve (1, Figure 8) onto down tube (2), making sure screw hole in sleeve is towards the bottom.
2. With ball pivot sleeve (1) positioned as high as possible on down tube (2), pull blue and brown wires (6) through top window (A) of down tube.

NOTE

There are three screw holes in cross tube (3); two of the holes are larger and have a courser thread. Use these two holes to secure cross tube assembly with screws (5). The other hole is for securing ball pivot sleeve.

Bulb Installation

NOTE

Screws (1) are captive screws. Only loosen captive screws; do not try to remove them.

1. Loosen three captive screws (1, Figure 9) and separate top cap (2) from support arm pivot (3).
2. Remove packing material from inside of lighthead.



WARNING (*)

The maximum allowable bulb wattage which can be used in this light is 100 Watts. There is a risk of fire or equipment damage if 100 Watt limit is exceeded.

NOTE

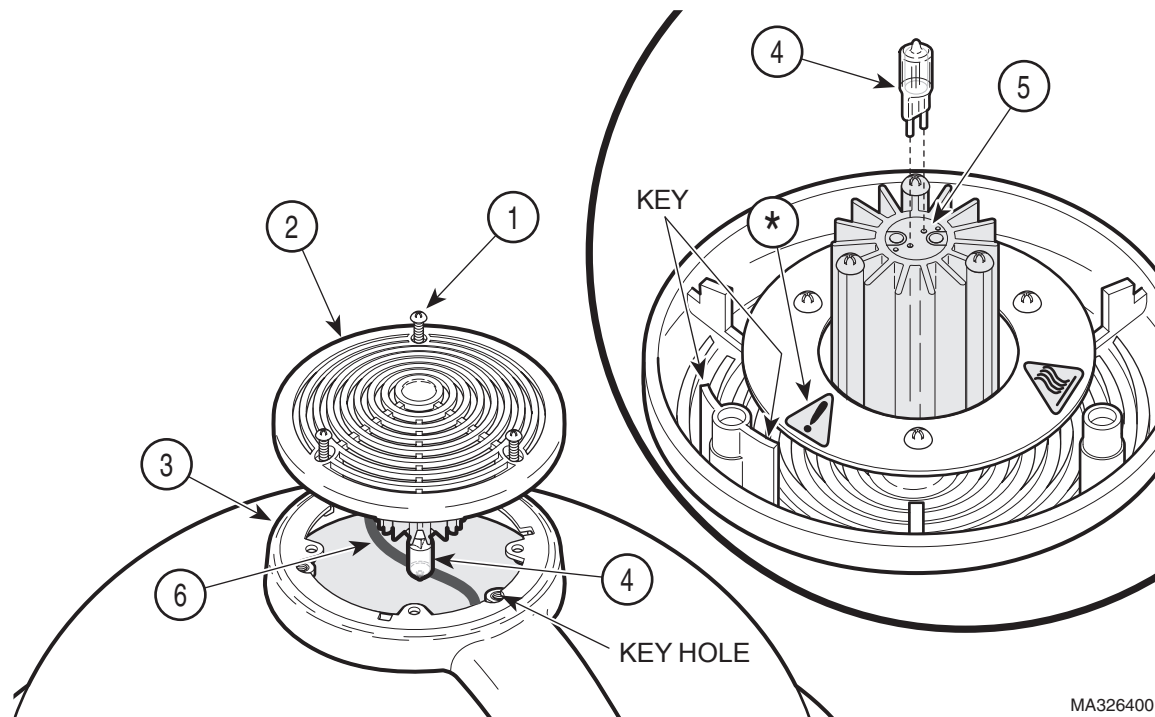
Halogen bulbs are sensitive to body oils. Be sure not to touch the glass portion of the bulb during relamping or cleaning. Body oils create a hot spot on the bulb and may cause the bulb to burn out prematurely. If the glass portion of the bulb is handled, wipe with a clean, soft, lint free cloth. Wipe with alcohol and pat dry.

3. Using a cotton glove or similar clean cloth, grasp the new bulb (4) (supplied) and insert new bulb into bulb socket (5). Push bulb in until its prongs bottom out; there should be approximately 1/16 in. (1.6 mm) gap between bulb socket and glass base of bulb. Forcing bulb in further will cause damage.

NOTE

The top cap is keyed which allows it only to be installed in one position.

4. Align the key of the top cap (2) with key hole in support arm pivot (3). Then secure top cap (2) on support arm pivot (3) by tightening three captive screws (1). Make sure wiring (6) is tucked up above light block as much as possible and does not hang down into path of light.



MA326400

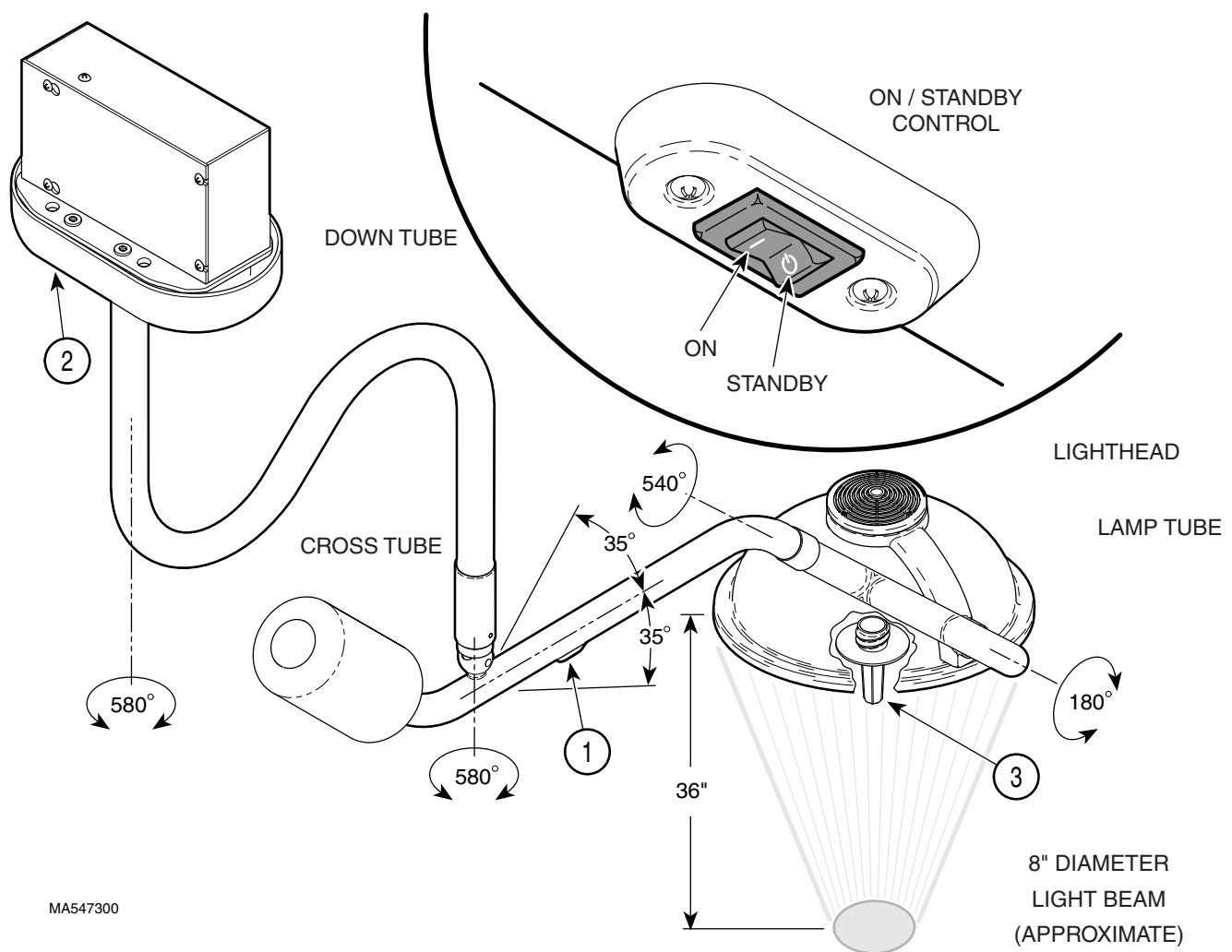
Figure 9. Bulb Installation

Housing Cap Installation

1. Install housing cap (2, Figure 12) on ballast housing (3) and secure with screw (1).

Operational Test

1. Turn the ON / STANDBY switch (1, Fig. 10) to ON.
2. Observe. The light should illuminate.
3. Position the light 36" from the table and aim the light at the table.
4. Observe. There should be an evenly distributed circular pattern of bright light, approximately 8 inches in diameter, on the table surface.
5. Rotate the lighthouse, lamp tube, cross tube, and down tube through their range of motions as shown on the illustration (See Figure 10). Release the lighthouse at different positions.
6. Observe. The lighthouse should be able to be positioned easily through the entire range of its motion. When the lighthouse is released in any position, no drifting should occur at any axis.
7. If any problems are discovered, refer to the troubleshooting guide for adjustment and repair tips.



MA547300

Figure 10. Operational Test

TROUBLESHOOTING

Troubleshooting Guide

If any problems are discovered during the installation process, refer to the following table (Table 1) to determine the cause of the problem.

TABLE 1. TROUBLESHOOTING GUIDE

PROBLEM	POSSIBLE CAUSE	SOLUTION
no light from lighthead	<i>lighthead is off</i>	turn on / standby switch to on
no light from lighthead; on / standby switch is on	<i>bulb has burned out or has not been installed</i>	refer to bulb installation procedure in this manual
	<i>fuse in junction box is blown</i>	inspect/replace the fuse located inside the ceiling cover
	<i>no power to the junction box</i>	check for facility power to the junction box
	<i>transformer is malfunctioning</i>	check for 24.5 VAC output from transformer (when loaded).
no light from lighthead although the bulb and fuse were checked; lighthead flashes intermittently when lighthead or arms are moved	<i>circuit or wiring problem within arm assemblies, junction box, or other part of lighting system</i>	check all wiring connections. If problem persists, call Midmark Technical Support: 1-800-Midmark
down tube does not rotate freely or drifts when released in desired position	<i>improper installation of ceiling plate (deflects too much or is not level)</i>	check for excessive flexing of ceiling support structure and/or check if ceiling plate is level. Readjust as necessary.
lamp tube does not rotate freely or drifts when released in desired position	<i>brake tension needs adjusted</i>	Call Midmark Technical Support: 1-800-Midmark
cross tube rotates (at ball pivot joint) too stiffly or drifts when released in desired position	<i>ball pivot joint tension needs to be adjusted or cross tube counterbalance needs adjusted</i>	refer to ball pivot joint tension adjustment procedure in this manual. If proper tension cannot be achieved, refer to the cross tube counterbalance adjustment procedure in this manual and then repeat main pivot joint tension adjustment. If problem still persists, call Midmark Technical Support: 1-800-Midmark
lighthead does not rotate freely at lamp tube or drifts when released in desired position	<i>brake needs adjustment</i>	Call Midmark Technical Support: 1-800-Midmark

ADJUSTMENTS

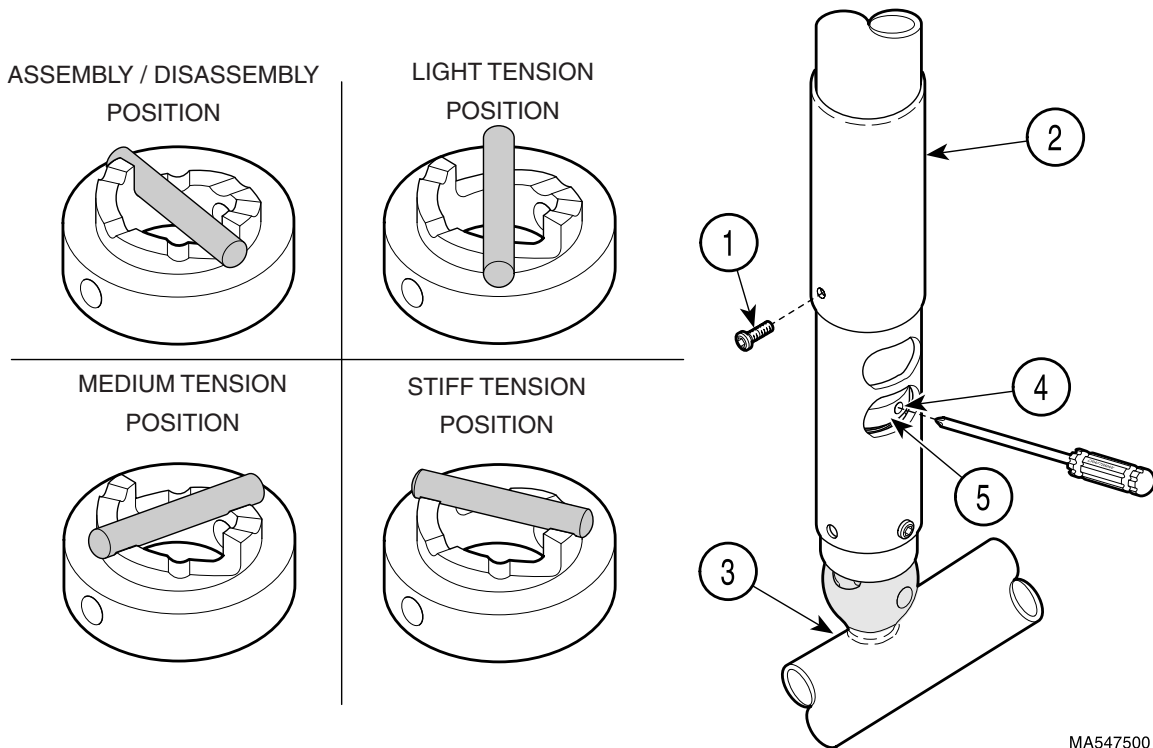
Ball Pivot Joint Tension Adjustment

1. Remove screw (1, Figure 11) and slide ball pivot sleeve (2) up out of way.
2. Rotate cross tube (3) until adjustment hole (4) appears in the adjustment window opening.

NOTE

There are three settings which the ball pivot cam (5) can be set for: light tension, medium tension, or stiff tension (see Figure 11). These settings may be changed according to the operator's preference.

3. Insert screwdriver, into adjustment hole (4). Then, using the screwdriver, rotate ball pivot cam (5) to the desired tension setting.
4. Remove the screwdriver and move the cross tube (3) about the ball pivot joint in a circular motion and up and down motion to ensure the setting is the one desired. Move the cross tube (3) to a horizontal position and release it. The cross tube should not drift in any direction. If it does, a higher tension setting is required. Repeat steps 3 and 4 until the desired tension adjustment is achieved with no drifting of the cross tube. If a satisfactory tension adjustment cannot be achieved, perform the cross tube counterbalance adjustment procedure and then repeat the ball pivot joint tension adjustment procedure.
5. Slide ball pivot sleeve (2) down into position and secure with screw (1).



MA547500

Figure 11. Ball Pivot Joint Tension Adjustment

Cross Tube Counterbalance Adjustment

1. Remove housing cap (1, Figure 12) from ballast housing (2).

NOTE

One way to determine if cross tube is balanced properly is to raise the cross tube above horizontal, release it, and observe where it stops. Then lower the cross tube below horizontal plane, release it, and observe where it stops. The cross tube should return to the horizontal position and remain there; if it does, the cross tube counterbalance is adjusted properly.

Turning screw (3) in clockwise direction will lower the lighthouse end of cross tube. Turning screw (3) in counterclockwise direction will raise the lighthouse end of cross tube.

2. Adjust screw (3) until cross tube balances in a horizontal position.
3. Install housing cap (1) on ballast housing (2).

NOTE

It is recommended that you start with the light setting and then proceed to the medium or stiff setting only if necessary to prevent drifting.

4. Insert screwdriver, into adjustment hole (4, Figure 11). Then, using the screwdriver, rotate ball pivot cam (5) to the light, medium, or stiff setting as desired by the operator(s). Remove screwdriver.
5. Slide ball pivot sleeve (2) down into position and secure with screw (1).

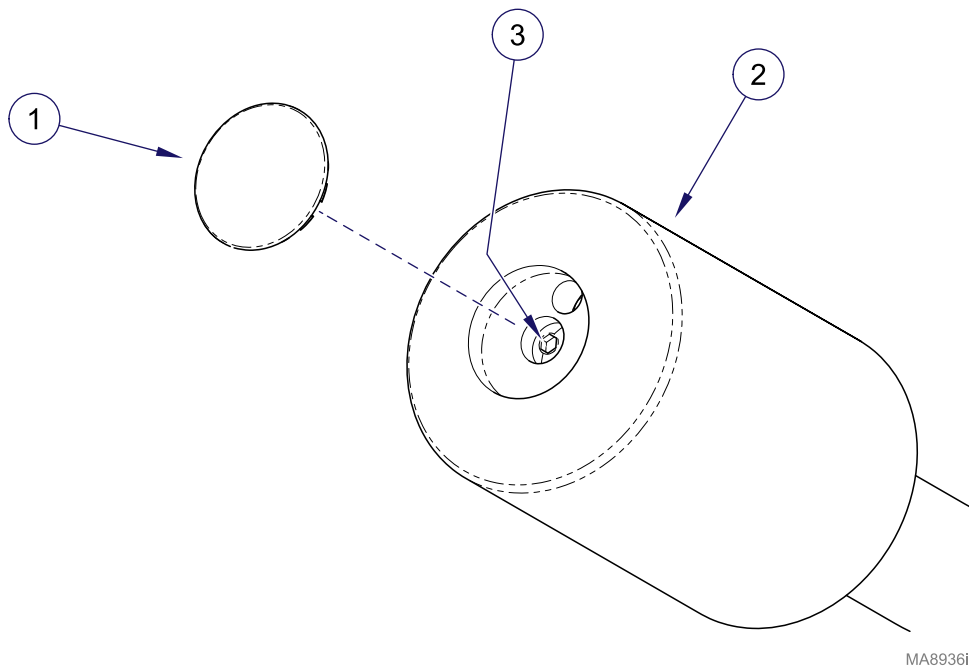


Figure 12. Cross Tube Counterbalance Adjustment

LIGHT DIMENSIONS

Height and Clearance Dimensions

1. Use this graphic to help determine proper positioning of light at the time of installation.

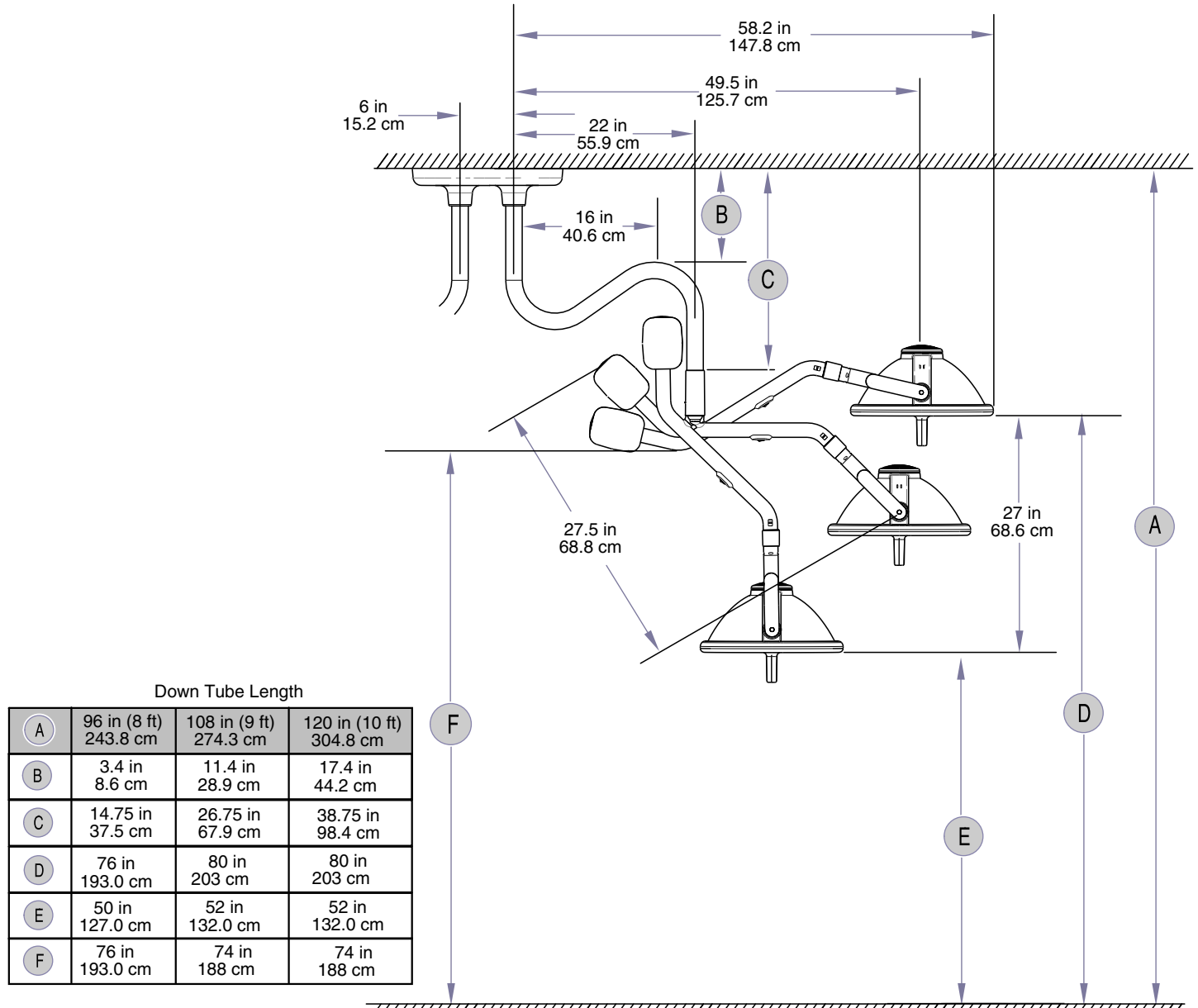


Figure 13. Light Height and Clearance Dimensions

MA758700-011

CALLING FOR SERVICE

If you have a problem that you can't solve, have the information on the inside front cover of this manual completed and available and call:

1-800-Midmark (1-800-643-6275); 8:00 AM until 5:00 PM (Eastern Standard time in the U.S.); Monday thru Friday, except for standard U.S. holidays.

LIMITED WARRANTY

SCOPE OF WARRANTY

Midmark Corporation ("Midmark") warrants to the original purchaser its new Alternate Care products and components (except for components not warranted under "Exclusions") manufactured by Midmark to be free from defects in material and workmanship under normal use and service. Midmark's obligation under this warranty is limited to the repair or replacement, at Midmark's option, of the parts or the products the defects of which are reported to Midmark within the applicable warranty period and which, upon examination by Midmark, prove to be defective.

APPLICABLE WARRANTY PERIOD

The applicable warranty period, measured from the date of delivery to the original user, shall be one (1) year for all warranted products and components.

EXCLUSIONS

This warranty does not cover and Midmark shall not be liable for the following: (1) repairs and replacements because of misuse, abuse, negligence, alteration, accident, freight damage, or tampering; (2) products which are not installed, used, and properly cleaned as required in the Midmark "Installation" and or "Installation / Operation Manual for this applicable product. (3) products considered to be of a consumable nature; (4) accessories or parts not manufactured by Midmark; (5) charges by anyone for adjustments, repairs, replacement parts, installation, or other work performed upon or in connection with such products which is not expressly authorized in writing in advance by Midmark.

EXCLUSIVE REMEDY

Midmark's only obligation under this warranty is the repair or replacement of defective parts. Midmark shall not be liable for any direct, special, indirect, incidental, exemplary, or consequential damages or delay, including, but not limited to, damages for loss of profits or loss of use.

NO AUTHORIZATION

No person or firm is authorized to create for Midmark any other obligation or liability in connection with the products.

THIS WARRANTY IS MIDMARK'S ONLY WARRANTY AND IS IN LIEU OF ALL OTHER WARRANTIES, EXPRESS OR IMPLIED. MIDMARK MAKES NO IMPLIED WARRANTIES OF ANY KIND INCLUDING ANY WARRANTIES OF MERCHANTABILITY OR FITNESS FOR ANY PARTICULAR PURPOSE. THIS WARRANTY IS LIMITED TO THE REPAIR OR REPLACEMENT OF DEFECTIVE PARTS.

SF-1490 REV. A1

Language of origin: English

Midmark Corporation
60 Vista Drive
Versailles, OH 45380 USA
1-800-643-6275
1-937-526-3662
www.midmark.com



© Midmark Corporation - 1999