

Installation / Operation Exam Lights

Applies to Models:

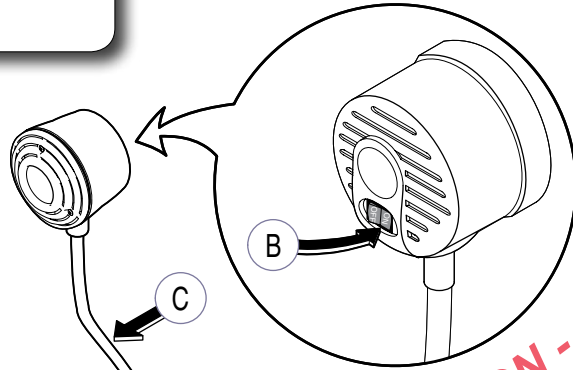
151-001 and 151-002
152-001 and 152-002
9A274001 Caster Base

Special Tools: none



Equipment Alert

Remove light assembly out of bottom of box and remove cardboard protectors.



To install the light...

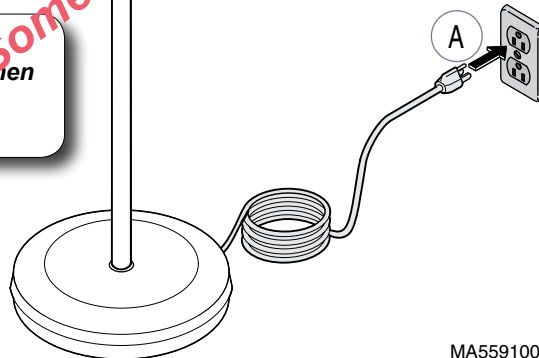
- A) Plug unit into a 115 VAC electrical outlet.
- B) Turn ON/OFF switch to ON.
- C) Bend gooseneck to position lighthouse.



WARNING

Do not touch bulb when light is on to prevent personal injury.

NO LONGER IN PRODUCTION -
Some service parts may not be available for this product!



MA559100



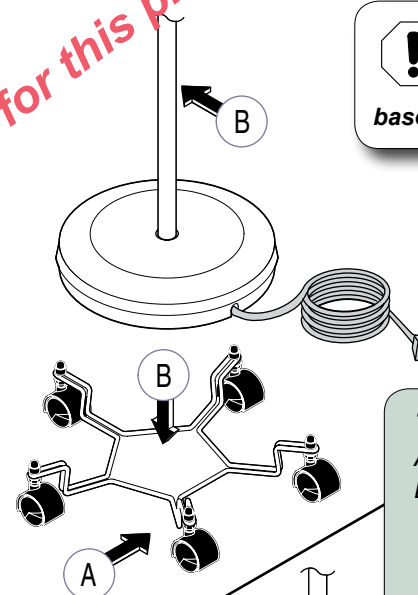
WARNING

Unplug light from outlet before installing caster base.



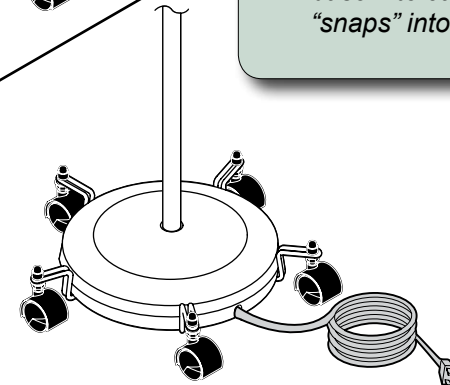
Equipment Alert

Assure light power cord is positioned between caster base arms to prevent cord damage.



To install caster base...

- A) Place caster base on floor.
- B) Lift light by support tube, tip slightly while pressing light base into caster base until it "snaps" into place.



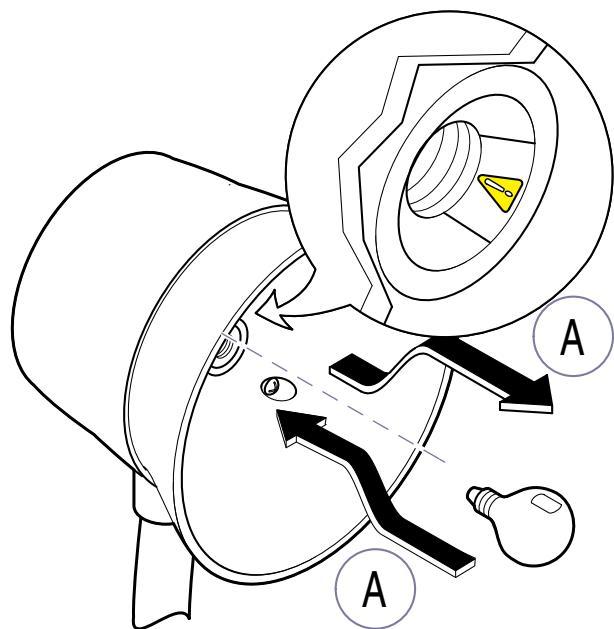
MA559200



WARNING

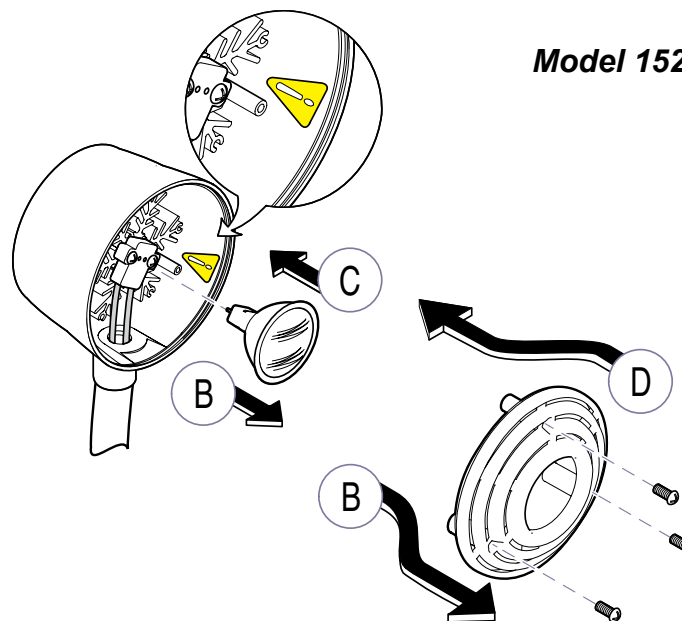
Unplug light from outlet and allow to cool before cleaning or replacing bulb. To prevent risk of fire, use only factory replacement bulbs (see Repair Parts). Never exceed maximum wattage requirements (25 watt, 120 VAC incandescent bulb) (35 watt, 12 VAC halogen).

Model 151 (incandescent)



MA559400

Model 152 (halogen)

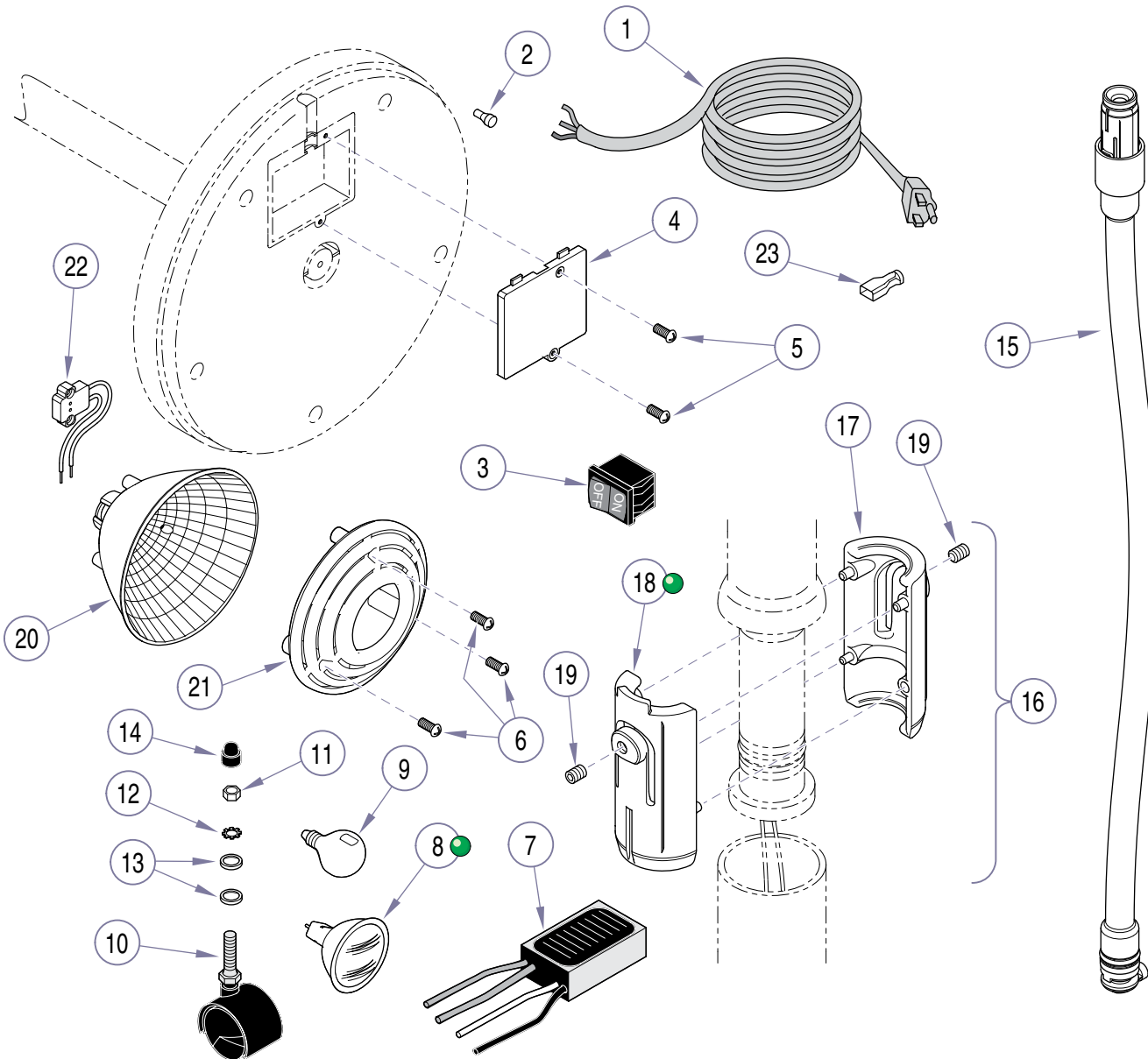


MA559300

To replace bulb...

- A) Model 151 (incandescent). Unscrew bulb and replace with new bulb not exceeding 25 watt rating.
- B) Model 152 (halogen). Remove front bezel (3 screws).
- C) Remove bulb by pulling outward and replace with new bulb not exceeding 35 watt rating.
- D) Install front bezel.

Repair Parts



MA559503

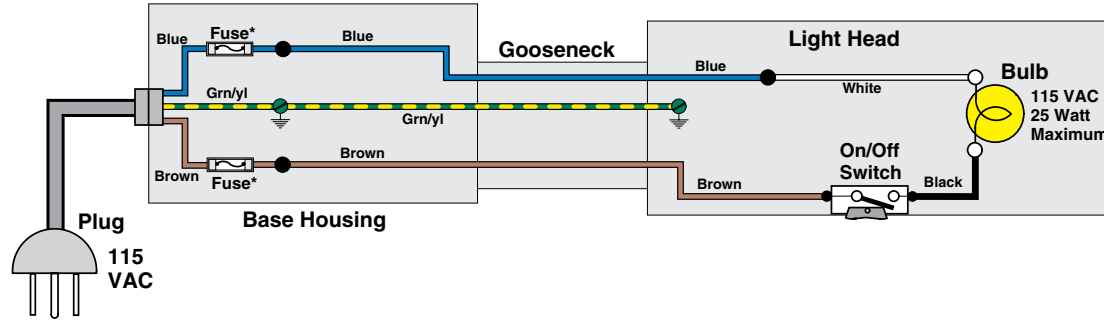
Repair Parts			
Item	Part Number	Description	Qty.
1	015-1383-00	Power Cord	1
2	015-1136-00	Connector(s)	5
3	015-1086-00	Switch (On / Off)	1
4	053-1076-00	Cover, Transformer	1
5	040-0008-101	Screw, Cover	2
6	040-0006-96	Screw, Bezel	3
7	015-1382-00	Transformer, 12V (Model 152)	1
8	015-1384-00	Bulb, Halogen 12V, 35 W (Model 152)	1
9	015-1385-00	Bulb, Incandescent 115V, 25 W (Model 151)	1
10	016-0842-00	Caster (w/o mounting hardware)	5
11	041-0250-06	Nut, caster mount	5
12	045-0001-61	Washer, Lock	5
13	045-0001-92	Washer, Flat	10
14	016-0841-00	Cap, Protection	5
15	002-1529-00	Kit, Goose Neck (includes item 16)	1
16	002-1576-00	*Kit, Light Split Retainer (includes items 17 thru 19)	1
17	053-1273-00*	** Split Retainer*	1
18	053-1272-00*	** Split Retainer w/ Stop*	1
19	040-0010-126*	** Screw, Set*	2
20	053-1052-00	Reflector	1
21	053-1173-00	Bezel	1
22	015-1381-00	Lamp Socket, Halogen (Model 152)	1
23	015-0315-17	Connector	2

Unless designated for Model 151 or 152, parts are interchangeable between models.

* Order both Split Retainers (17,18) and Set Screws (19) when replacing parts on units with Serial Numbers NC003945 or NE009378 thru present.

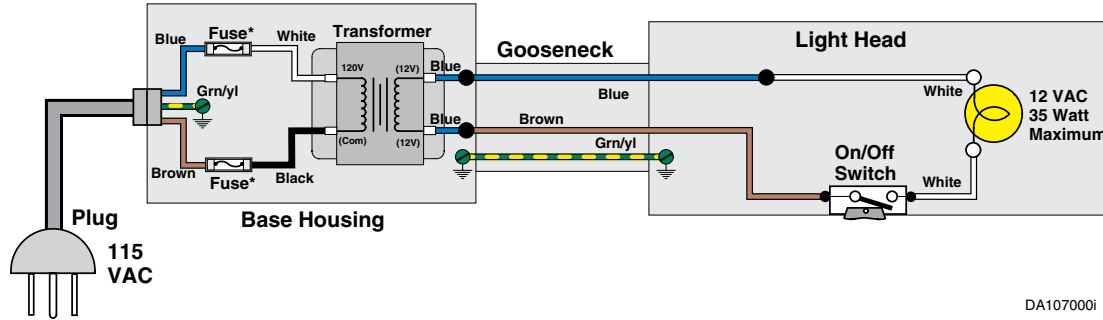
Wiring Diagram

Model 151-001 Incandescent Lamp



Models 151-001 and 151-002
 25 Watt 120 VAC
 Incandescent Bulb
 Color Temp: None Specified
 Ft. Candles: +250

Model 152-001 Halogen Lamp



Model 152-001 and 151-002
 35 Watt 12 VAC
 Halogen Bulb
 Color Temp: 3000K
 Ft. Candles: +1500

DA107000i

Troubleshooting Guide

Bulb Does Not Work.

- Lamp not plugged in..... Plug lamp into outlet.
- No Voltage at outlet..... Check outlet's circuit breaker.
- Bulb not making contact..... Assure bulb is installed correctly.
- Bulb burned out..... Replace bulb.
- Internal fuse(s) open..... Replace power cord.
- Power cord has open lead..... Replace power cord.
- Transformer malfunctioning
 (Model 152 only)..... Replace transformer if necessary*.
- On / Off switch malfunctioning..... Replace On / Off switch.

* Transformer output (with load) should be between 5 and 12 VAC.

If service or repair is required, contact your authorized Midmark dealer.

To contact Midmark directly:

1-800-MIDMARK (1-800-643-6275)
 8:00 a.m. - 5:00 p.m. Monday - Friday EST)

www.midmark.com

Note

Model / serial number information is required when calling for service.

Ritter 151 Exam Light Specifications

Lamp head

Bulb: 25-watt standard incandescent, 125 VAC

Housing construction: Polycarbonate

Socket: Candelabra Base

Switch: Heavy-duty on/off

Shade dimensions:

6.6" (16.8 cm) diameter

5.25" (13.3 cm) length

Flex arm

Dimensions: 0.585" (1.5 cm) diameter
22" (55.8 cm) length

Neck material: High carbon steel

Neck covering: Heavy duty vinyl

Color Pebble Grey with Shadow Grey accent

Base tube: 36" long (91.4 cm)

Tube material: Painted Pebble Grey steel tube

Outer tube size: 1.0" (2.5 cm)

Standard base Construction: ABS plastic

Size: 13" (33 cm) diameter

2.25" (5.7 cm) thick

Weight: 12 lbs. (5.4 kg)

Electrical

115 VAC, 50/60 Hz, 0.22 AMPS

UL60601-1 (2nd Edition)

CAN / CSA C22.2 No. 601.1 M90

Accessory

9A274001 Caster base

Models

151-001 Incandescent Lamp

Fuse

T500L, 250V, (500mA) Time Delay (built into power cord)

Ritter 152 Exam Light Specifications

Lamp head

Size: 4.5" (11.4 cm) diameter x 4.0" (10.2 cm) length

Bulb: 35-watt, 2,000-hour life MR16 type quartz halogen bulb with glass cover, low voltage (12 VAC) filament

Illumination at 24" (60.9 cm) focal length: 1,500 fc

Color temperature: 3,000K

Flex arm

Dimensions:
0.585" (1.5 cm) diameter
22" (55.8 cm) length

Neck material: High carbon steel

Neck covering: Heavy duty vinyl

Color Pebble Grey with Shadow Grey accent

Base tube: 36" long (91.4 cm)

Tube material: Painted Pebble Grey steel tube

Outer tube size: 1.0" (2.5 cm)

Standard base Construction: ABS plastic

Size: 13" (33 cm) diameter 2.25" (5.7 cm) thick

Weight: 12 lbs. (5.4 kg)

Electrical

115 VAC, 50/60 Hz, 0.3 AMPS

UL60601-1 (2nd Edition)

CAN / CSA C22.2 No. 601.1 M90

Accessory

9A274001 Caster base

Models

152-001 Halogen Lamp

Fuse

T500L, 250V, (500mA) Time Delay (built into power cord)

Cleaning and Disinfecting



Equipment Alert

When cleaning or disinfecting the light, disconnect the power and allow the unit to cool.

Do not touch the glass part of the bulb or inner components of the light head with bare hands. Clean EXTERNAL SURFACES ONLY (arm assemblies and light head). Prevent fluids from leaking under covers to interiors or onto electrical components. DO NOT ATTEMPT to clean or disinfect interior; call an authorized dealer or service technician.



Equipment Alert

Use only quaternary disinfectants to disinfect light. Staining, pitting, discoloration or softening may occur if phenolic, iodophor or glutaraldehyde-based disinfectant is used on plastic surfaces of the light head.

External Cleaning Procedures

For general cleaning, use a mild detergent and water solution. Wring excess solution from sponge or cloth before wiping surfaces.

In accordance with your facility's cleaning procedures:

1. Wipe external surface of arm assemblies and light head with a mild detergent and water solution.
2. Rinse all external surfaces with a soft cloth dipped in clear water, wringing excess from cloth before wiping.
3. Wipe all external surfaces dry.

Symbols, Notes and Warranty

Transportation / Storage Conditions

Ambient Temperature Range:..... 41°F to 100°F
(5°C to 38°C)

Relative Humidity:..... 10% to 90% (non-condensing)

Atmospheric Pressure: 500hPa to 1060hPa
(0.5 bar to 1.06 bars)

This product contains glass, so it should be transported and stored with care to limit vibration and shocks.

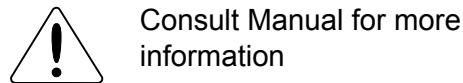
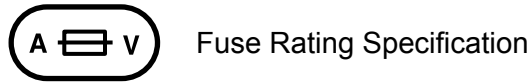
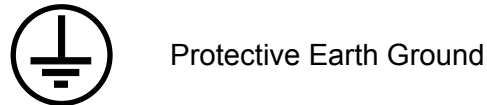
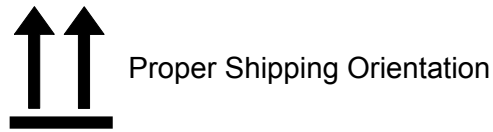
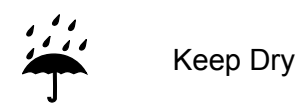
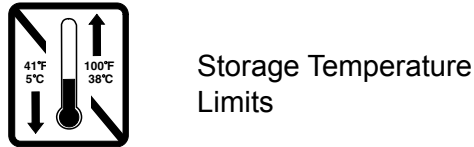
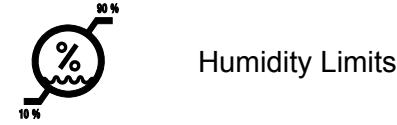
Electromagnetic Interference


This product is designed and built to minimize electromagnetic interference with other devices. However, if interference is noticed between another device and this product:


- Remove interfering device from room
- Plug light into isolated circuit
- Increase separation between light and interfering device
- Contact Midmark if interference persists


Disposal of Equipment


At the end of product life, the light, accessories, and other consumable goods may become contaminated from normal use. Consult local codes and ordinances for proper disposal of equipment, accessories and other consumable goods.



 **WARNING**
Indicates a potentially hazardous situation which could result in serious injury if not avoided.

 **Caution**
Indicates a potentially hazardous situation which may result in minor or moderate injury if not avoided. It may also be used to alert against unsafe practices

 **Equipment Alert**
Indicates a potentially hazardous situation which could result in equipment damage if not avoided.

 **Classification:**
Class 1, Type B Applied Part, Ordinary Equipment (IPX0)

Equipment is not suitable for use in the presence of a flammable anesthetic mixture with oxygen, air, or nitrous oxide. Clarification: Equipment is suitable for use in the presence of oxygen, air, or nitrous oxide.

CERTIFICATIONS:
UL60601-1 (2nd Edition)
CAN / CSA C22.2 No. 601.1 M90

Limited Warranty

SCOPE OF WARRANTY

Midmark Corporation ("Midmark") warrants to the original purchaser its Dental products and components (except for components not warranted under "Exclusions") manufactured by Midmark to be free from defects in material and workmanship under normal use and service. Midmark's obligation under this warranty is limited to the repair or replacement, at Midmark's option, of the parts or the products the defects of which are reported to Midmark within the applicable warranty period and which, upon examination by Midmark, prove to be defective.

APPLICABLE WARRANTY PERIOD

The applicable warranty period, measured from the date of delivery to the original user, shall be as follows:

DENTAL PRODUCTS are warranted against defect in material and workmanship for the period indicated below from the time of delivery:

- a) 2 years for all products and components (except for the periods in b through f).
- b) "KINK-VALVE" module carries a 10 year warranty.
- c) The original light bulb on a new light carries a 1 year warranty.
- d) Accessories not manufactured by Midmark are excluded (i.e. Fiber optic systems, Scalers, Electric micromotor systems, X-ray viewers, etc.).
- e) Replacement parts and accessories carry a 90 day warranty.
- f) Spring Health UniLite Curing Light warranty is 1 year; however, it does not cover the bulb and light-guides. To receive warranty, call Spring Health at 1-610-630-9171.

STERILIZER PRODUCTS are warranted against defect in material and workmanship for a period of 1 year from the time of delivery.

CASEWORK PRODUCTS are warranted against defect in material and workmanship for the period indicated below from the time of delivery:

- a) Five (5) years for all products and components (except for the shorter periods in b and c), including plastic laminate top surfaces, door and drawer fronts, casters, and electrical components such as task lights and cords.
- b) Three (3) years for task light ballast.
- c) One (1) year for plastic laminate top surfaces and accessories.

EXCLUSIONS

This warranty does not cover and Midmark shall not be liable for the following: (1) repairs and replacements because of misuse, abuse, negligence, alteration, accident, freight damage, or tampering; (2) matching of color, grain, or texture except to commercially acceptable standards; (3) changes in color caused by natural or artificial light; (4) products which are not installed, used, and properly cleaned as required in the Midmark "Installation" and or "Installation/Operation" Manual for this applicable product; (5) products considered to be of a consumable nature; (6) accessories or parts not manufactured by Midmark; (7) specially manufactured products; (8) charges by anyone for adjustments, repairs, replacement parts, installation, or other work performed upon or in connection with such products which is not expressly authorized in writing in advance by Midmark.

EXCLUSIVE REMEDY

Midmark's only obligation under this warranty is the repair or replacement of defective parts. Midmark shall not be liable for any direct, special, indirect, incidental, exemplary, or consequential damages or delay, including, but not limited to, damages for loss of profits or loss of use.

NO AUTHORIZATION

No person or firm is authorized to create for Midmark any other obligation or liability in connection with the products.

THIS WARRANTY IS MIDMARK'S ONLY WARRANTY AND IS IN LIEU OF ALL OTHER WARRANTIES, EXPRESS OR IMPLIED. MIDMARK MAKES NO IMPLIED WARRANTIES OF ANY KIND INCLUDING ANY WARRANTIES OF MERCHANTABILITY OR FITNESS FOR ANY PARTICULAR PURPOSE. THIS WARRANTY IS LIMITED TO THE REPAIR OR REPLACEMENT OF DEFECTIVE PARTS.



Because we care.