

## 002-0649-00 Fill / Vent Valve Kit for Model M7 Sterilizers

### KIT COMPONENTS

Part Number	Description	Qty.
002-0649-00	Fill / Vent Valve Kit	
• 014-0402-00	Fill Valve (M7).....	1
•• 014-0183-02	Connector, 3/8 x 1/4 MPT Male ....	2
• H98077	Bracket, Valve Closing.....	1
• 003-1082-00	Installation Instructions.....	1

### REQUIRED TOOLS

Phillips Screwdriver  
 Straight Blade Screwdriver  
 5/16", 3/8", 9/16", 5/8" Open End Wrenches  
 6" Rule

### IMPORTANT INSTRUCTIONS

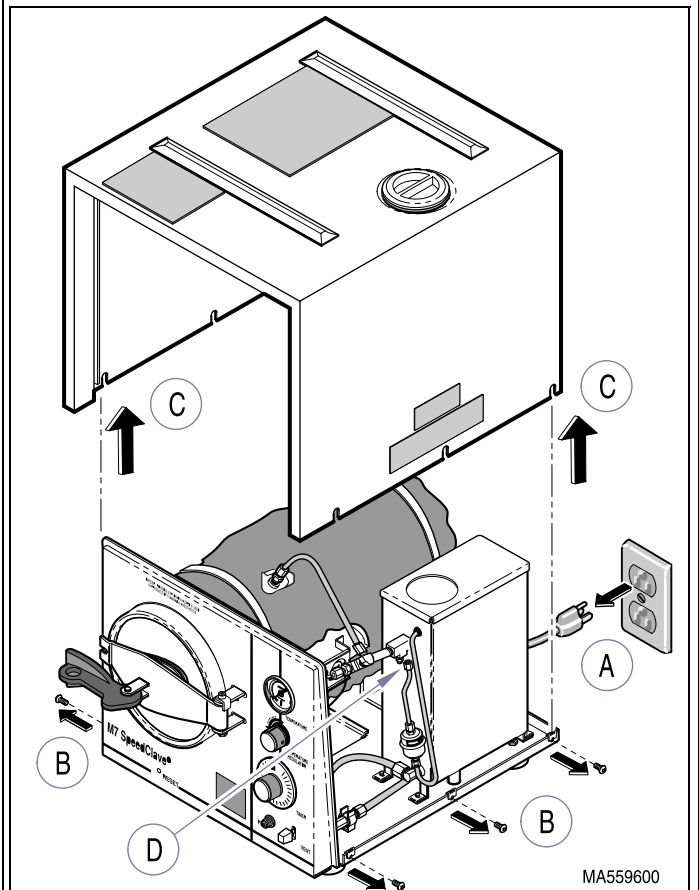
Provides the necessary parts to replace Fill / Vent Valve on the M7 Sterilizer.



#### WARNING

**Always** disconnect power cord from outlet before removing any sterilizer covers/panels or making any repairs to prevent possibility of electrical shock and allow unit to cool. Failure to comply could result in personal injury.

### REMOVAL (1)



#### WARNING

Disconnect power cord from electrical outlet and allow unit to cool before working on sterilizer.

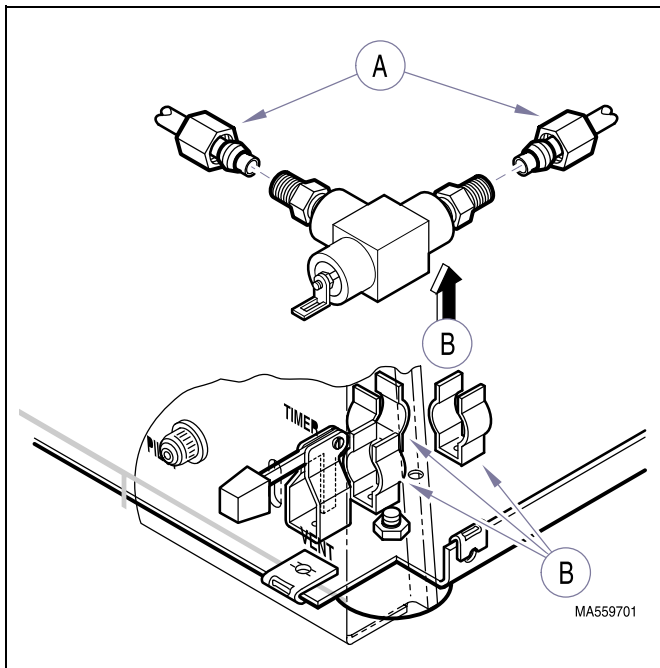
- A. Disconnect power cord from electrical outlet, allow unit to cool and remove any internal pressure in chamber.
- B. Loosen six screws on sides of sterilizer.
- C. Remove cover assembly.

#### NOTE

Assure all water has been drained from the chamber and reservoir.

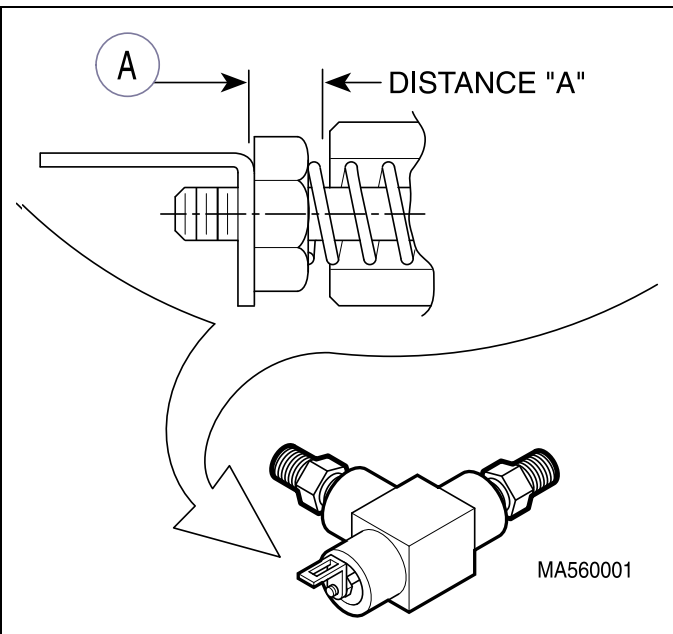
- D. Disconnect compression fitting and swing bellows and tubing assembly out of way in order to access Fill / Vent Valve.

## REMOVAL (2)



- A. Disconnect two compression nuts from Fill / Vent Valve assembly.
- B. Lift up on back of Valve assembly to disengage it from Fill / Vent Lever and remove valve from clip brackets.

## INSTALLATION (2)

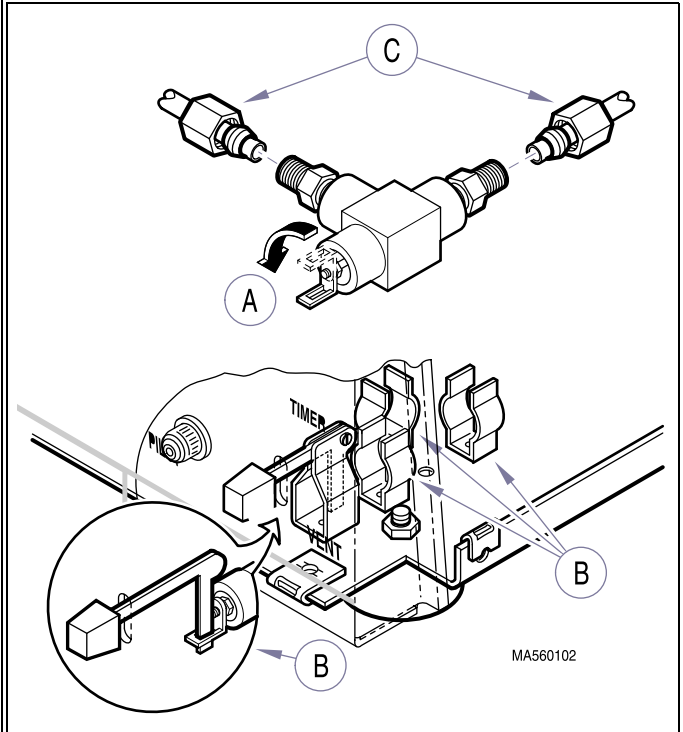


### NOTE

The back side of the valve plunger has a screwdriver slot to assist in adjusting the closing bracket and nut.

- A. Adjust close bracket until Distance A is approximately 3/16" to 1/4" (0.47 to 0.63 cm). Secure close bracket in position by tightening nut against bracket.

## INSTALLATION (3)



### EQUIPMENT ALERT



In order for the Fill / Vent Valve to function properly the Valve Closing Bracket must be rotated to a downward position before installing valve.

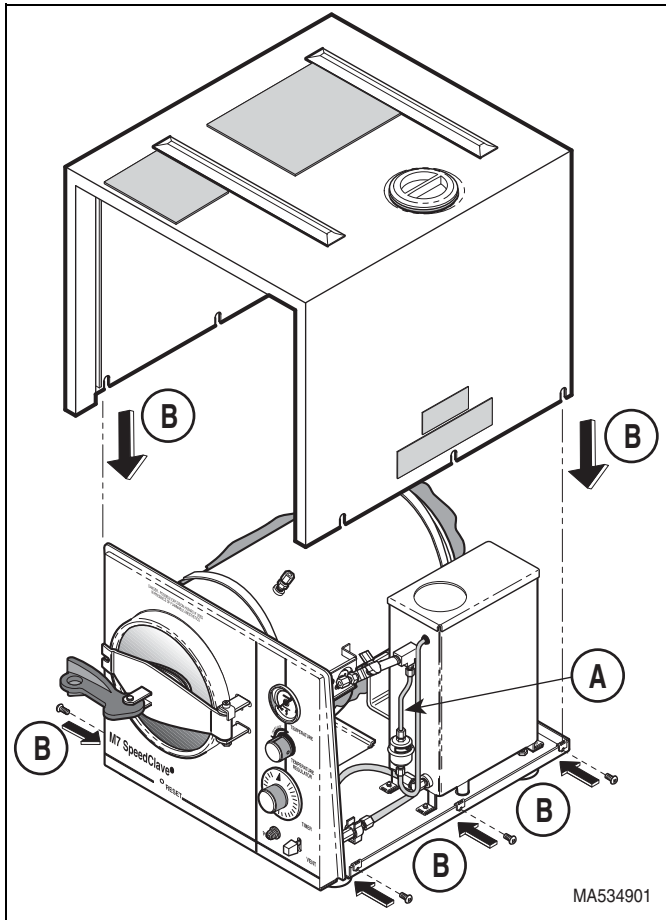
- A. Rotate Closing Bracket so slot in bracket is down.
- B. Install Fill / Vent Valve in clip bracket assuring Fill / Vent Lever is inserted in slot of closing bracket.

### NOTE

Remove compression fittings from new valve when using existing fittings on lines.

- C. Connect fill / vent lines to appropriate locations and tighten compression fittings.

## INSTALLATION (4)



A. Reconnect bellows and tubing assembly.



### WARNING

Use extreme care when running unit with cover not in position. Live electrical terminals and hot surfaces are exposed. Failure to use caution could result in personal injury.

### NOTE

Fill reservoir with distilled water and run a cycle. Check for proper operation and leaks around fittings.



### WARNING

Unplug unit before installing cover. Failure to comply could result in personal injury.

B. After unplugging unit, install cover.

# MIDMARK®

Midmark Corporation, Versailles, Ohio 45380 U.S.A.  
(937) 526-3662 FAX (937) 526-5542