

RECOMMENDED TOOLS

- Screwdriver with phillips head (cordless optional)
- Level
- Tape measure
- 1/4" socket (6 point) with ratchet
- Caulking gun
- Belt sander
- Stud Finder
- Hammer drill w/ 1/4" bit for masonry anchor (for installations on masonry walls)

RECOMMENDED FASTENERS (NOT SUPPLIED)

Stud Walls (Standard)

Use #12 x 2" long round head wood screws (course threaded). The screws must be driven into the wall studs or backing. It may be necessary to use washers to keep the head of the screws from pulling through the holes in the hanging bracket. (Use sheet metal screws for steel studded walls). In studded walls where backing is not provided, it will be necessary to use 3/16" short mollies, or other types of commercial expansion fasteners.

Hollow Tile or Masonry Walls

Use 1/4" machine screw expansion anchors of adequate length. A 3/16" short molly or other type of expansion fastener may be used if the installers predrill the hole.

Rough Solid Concrete or Brick Wall

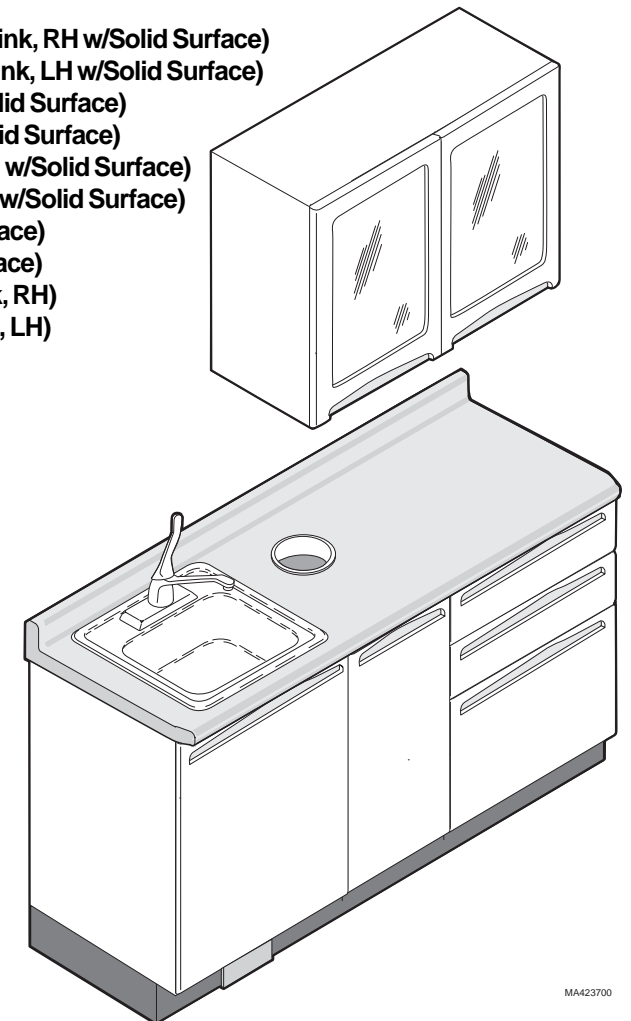
Use #12 round head wood screws or a specialized masonry fastener.

MODELS:

DM-DRR001 (Doctor's Side Casework w/Sink, RH)
DM-DRL001 (Doctor's Side Casework w/Sink, LH)
DM-DRR002 (Doctor's Side Casework , RH)
DM-DRL002 (Doctor's Side Casework, LH)
DM-DRR001SS (Doctor's Side Casework w/Sink, RH w/Solid Surface)
DM-DRL001SS (Doctor's Side Casework w/Sink, LH w/Solid Surface)
DM-DRR002SS (Doctor's Side Casework , RH w/Solid Surface)
DM-DRL002SS (Doctor's Side Casework, LH w/Solid Surface)

DM-ASR001SS (Assistant's Side Casework w/Overhead & Sink, RH w/Solid Surface)
DM-ASL001SS (Assistant's Side Casework w/Overhead & Sink, LH w/Solid Surface)
DM-ASR002SS (Assistant's Side Casework w/Sink, RH w/Solid Surface)
DM-ASL002SS (Assistant's Side Casework w/Sink, LH w/Solid Surface)
DM-ASR003SS (Assistant's Side Casework w/Overhead, RH w/Solid Surface)
DM-ASL003SS (Assistant's Side Casework w/Overhead, LH w/Solid Surface)
DM-ASR004SS (Assistant's Side Casework, RH w/Solid Surface)
DM-ASL004SS (Assistant's Side Casework, LH w/Solid Surface)
DM-ASR001 (Assistant's Side Casework w/Overhead & Sink, RH)
DM-ASL001 (Assistant's Side Casework w/Overhead & Sink, LH)
DM-ASR002 (Assistant's Side Casework w/Sink, RH)
DM-ASL002 (Assistant's Side Casework w/Sink, LH)
DM-ASR003 (Assistant's Side Casework w/Overhead, RH)
DM-ASL003 (Assistant's Side Casework w/Overhead, LH)
DM-ASR004 (Assistant's Side Casework, RH)
DM-ASL004 (Assistant's Side Casework, LH)

Installation Instructions



Model DM-ASL001 (Shown)

WALL LAYOUT PREPARATION (as applicable)

NOTE:

Please check local electrical and plumbing codes. Knight cannot be held responsible for installations which do not conform to local codes.

- A - The wall layout (Figure 1) shows a unit with a sink and overhead options. If the unit you are installing does not have a sink or an overhead, disregard instructions and dimensional information for those options.
- B - Have a licensed electrical contractor position and install electrical outlet receptacles as necessary using layout (Figure 1).
- C - Have a licensed plumbing contractor position and install plumbing using layout (Figure 1).

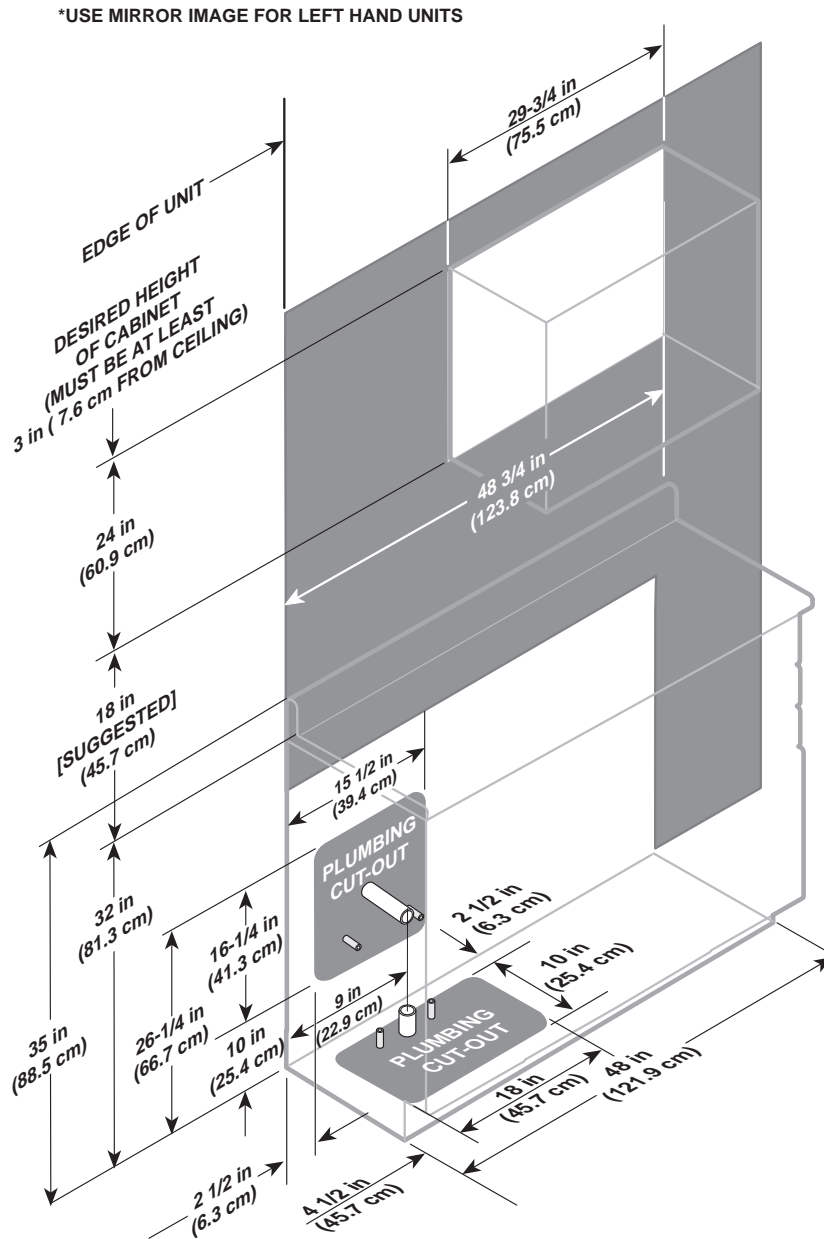
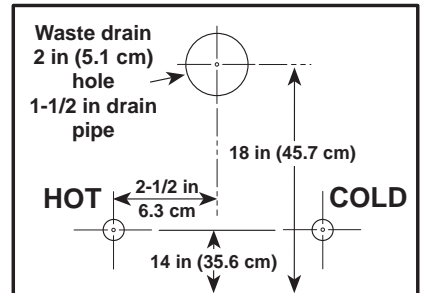


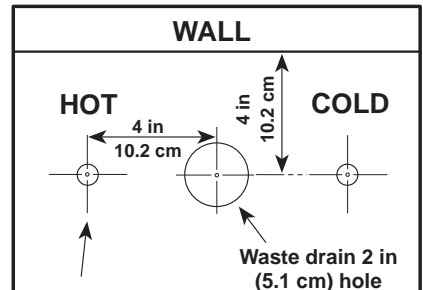
Figure 1



FLOOR

3/4 in (1.9 cm) Hole
1/2 in NPT Water Pipe
Stub out 1-3/4 in (4.5 cm) Min.
3-3/4 in. (9.5 cm) Max from finished wall surface.
Use 1/2 in male NPT fittings on end of stubs for connections to shut-off valves. Install 1/2 in inlet x 3/8 in O.D. outlet angle shut-off valves.

WALL MOUNT SERVICE



WALL

3/4 in (1.9 cm) Hole
1/2 in NPT Water Pipe
Stub out 1 in (2.5 cm) Min.
2-1/2 in (6.4 cm) Max from finished floor surface.
Use 1/2 in male NPT fittings on end of stubs for connections to shut-off valves. Install 1/2 in inlet x 3/8 in O.D. outlet angle shut-off valves.

FLOOR MOUNT SERVICE

OVERHEAD CABINET INSTALLATION (if applicable)

A - Find the highest point of floor.

B - Measure up from the highest point of floor and make a mark at desired installation height of overhead cabinet. For the recommended distance of 18 inches (45.7 cm) between countertop and overhead, Dimension B is 74 in (188 cm).

C - Measure down 3 inches (7.6 cm) and make another mark. Use level to extend mark entire width of overhead cabinet.

D - Line up bottom of hanging bracket with mark and secure with hardware (not supplied). Use shims if wall is not true.

E - Hang overhead cabinet, making sure it is firmly in place on hanging bracket before releasing it.

F - If necessary, level overhead cabinet with shims and double sided tape (not supplied).

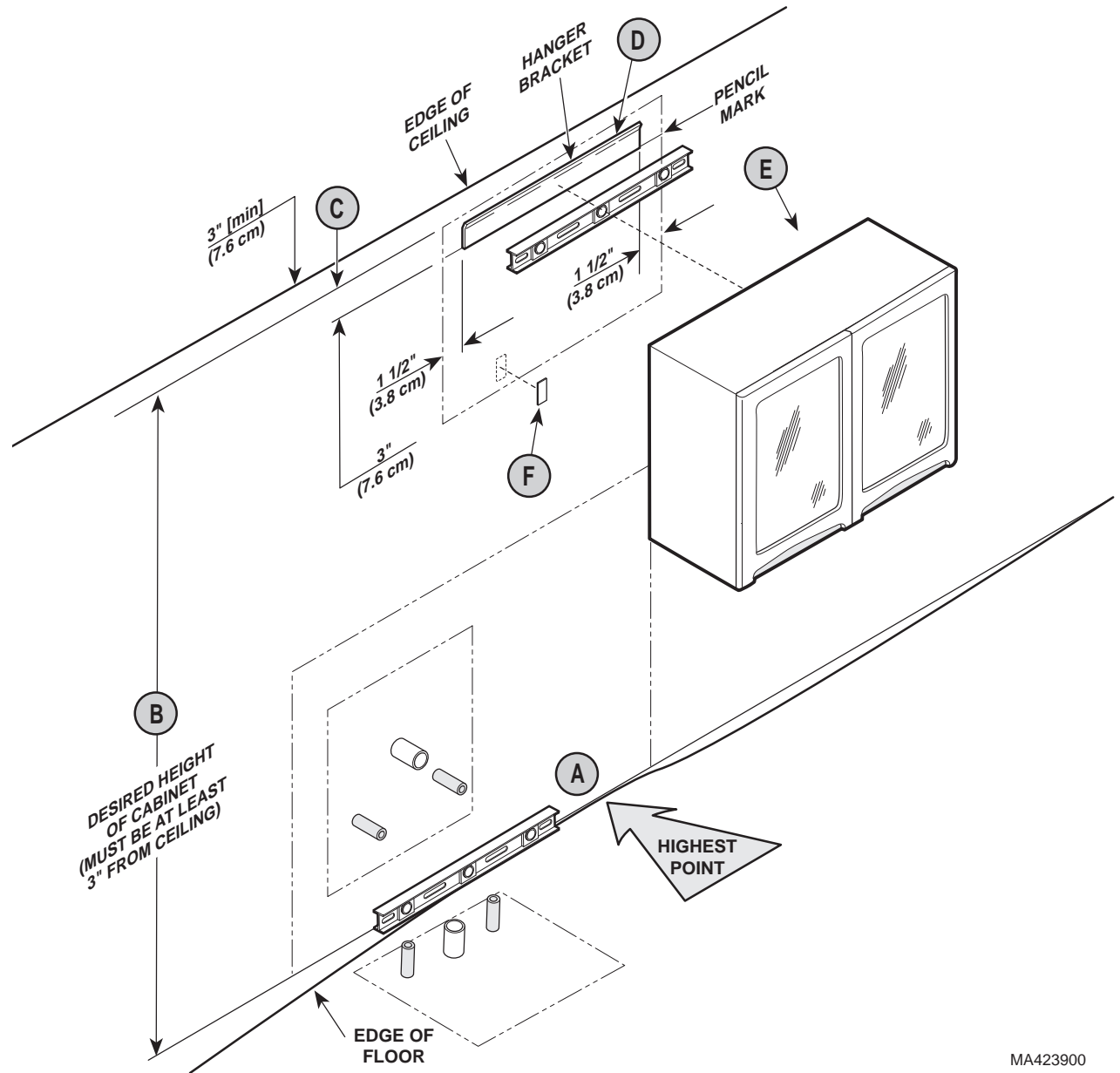
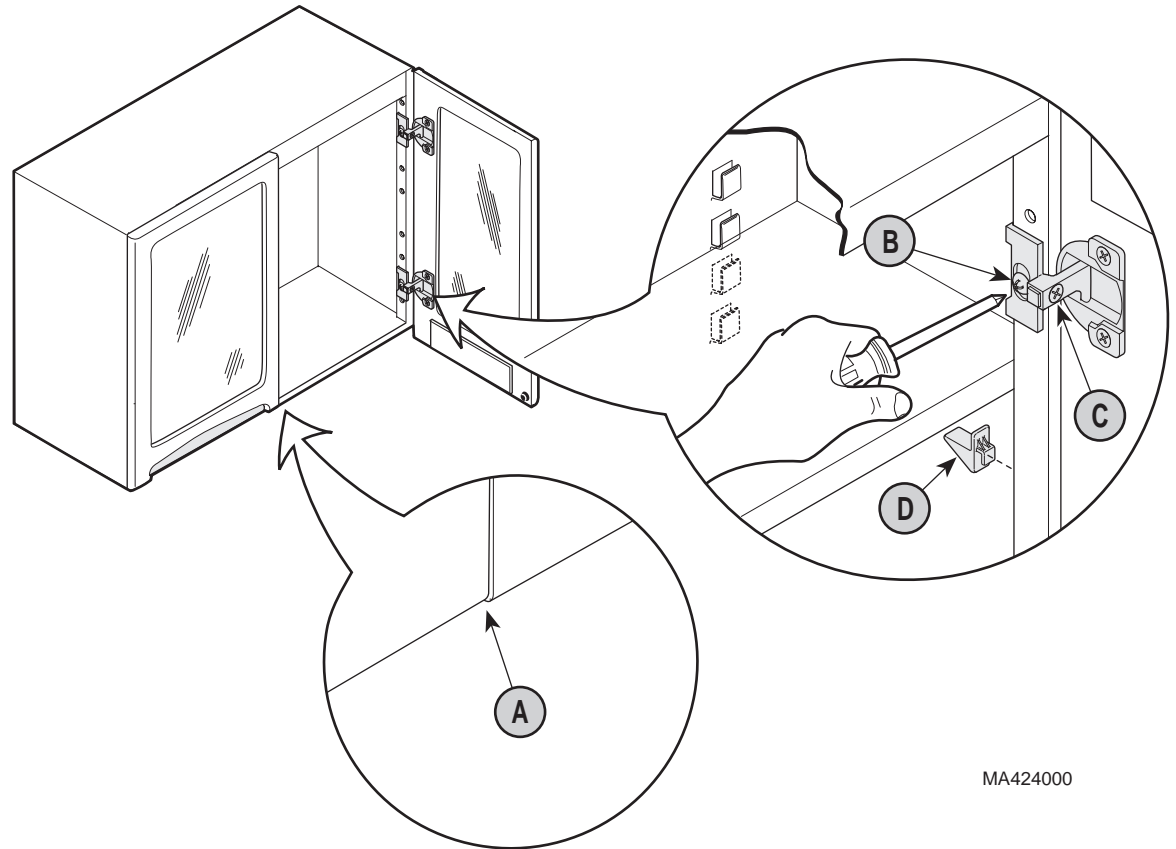


Figure 2

MA423900

OVERHEAD CABINET DOORS ADJUSTMENT AND SHELF INSTAL- LATION (if applicable)

- A - Check to see if doors need adjusted vertically or horizontally.
- B - Adjust doors vertically (so doors are at correct height and both doors are even with each other on the bottom) by loosening screws (B) on both hinges of door. After adjusting, retighten screws.
- C - Adjust doors horizontally (so doors meet properly; not too large of a gap between doors or doors touching and preventing them from closing properly) by loosening screws (C) on both hinges of door [ideal gap is 1/16 in. (1.6 mm)]. After adjusting, retighten screws.
- D - Install shelf brackets and then the shelf at the desired height.



MA424000

Figure 3

BASE CABINET INSTALLATION

- A - Remove sink bottom and bottom drawer or storage bottom from base cabinet.
- B - Using a 1/4" socket, adjust leveling screws to the fully lowered position.
- C - Move base cabinet into the desired position for edge of cabinet.
- D - Move base cabinet into position against wall.
- E - Level base cabinet by adjusting leveling screws (Do not adjust leveling screws more than 1-1/2 in. (3.8 cm) to prevent loss of stability).
- F - Re-install bottom drawer or storage bottom and sink bottom in the base cabinet.
- G - Attach the base cabinet to the wall with appropriate fasteners (see cover page of this manual for fasteners).

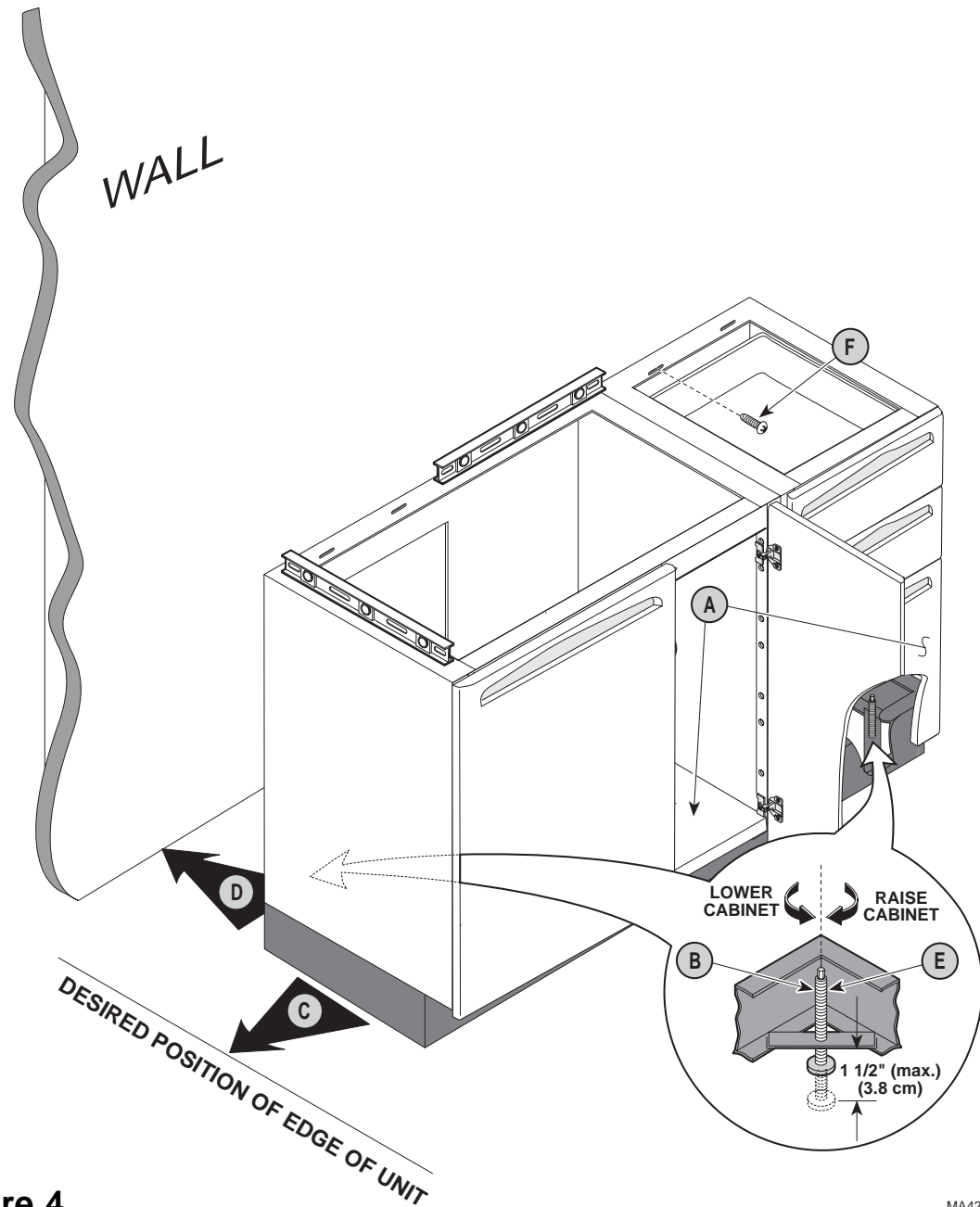


Figure 4

MA424100

BASE CABINET DOORS ADJUSTMENT AND SHELF INSTALLATION

- A - Check to see if doors need adjusted vertically or horizontally.
- B - Adjust doors vertically (so doors are at correct height and both doors are even with each other on the bottom) by loosening screws (B) on both hinges of door. After adjusting, retighten screws.
- C - Adjust doors horizontally (so doors meet properly; not too big of a gap between doors or doors touching and preventing doors from closing properly) by loosening screws (C) on both hinges of door [ideal gap is 1/16 in. (1.6 mm)]. After adjusting, retighten screws.

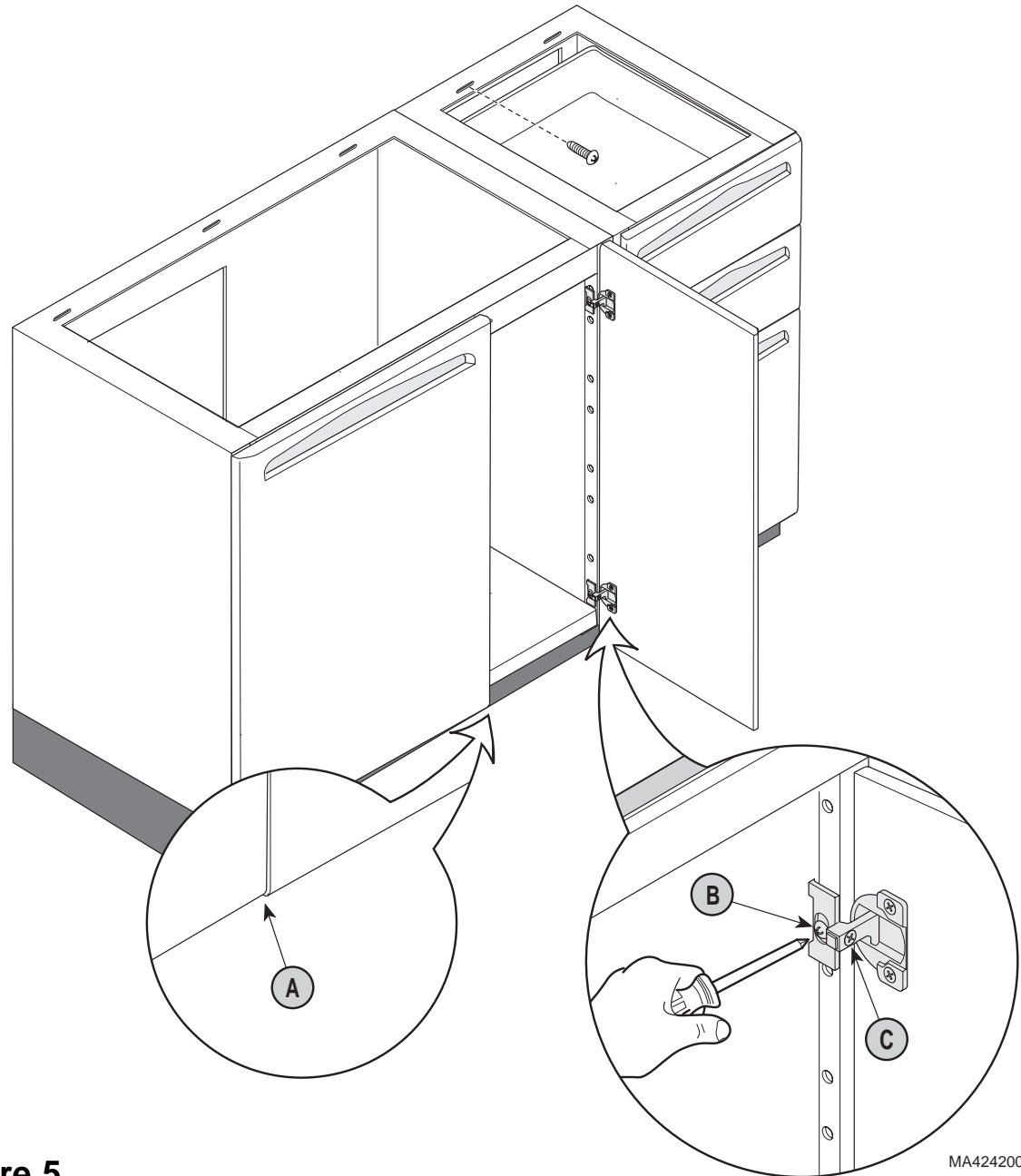


Figure 5

MA424200

COUNTERTOP INSTALLATION

- A - Scribe (sand) countertop as necessary to form to wall.
- B - Secure countertop to base cabinet with #10 x 5/8" screws (supplied), making sure the countertop extends over each end of cabinets 3/8 inch (0.95 cm).
- C - Install waste ring in countertop (supplied) (This step does not apply to models w/Solid Surface countertop).
- D - Caulk edges of countertop as necessary to seal the wall.
- E - Wipe exterior of cabinets with a mild spray cleaner and broom clean all drawers and storage areas.

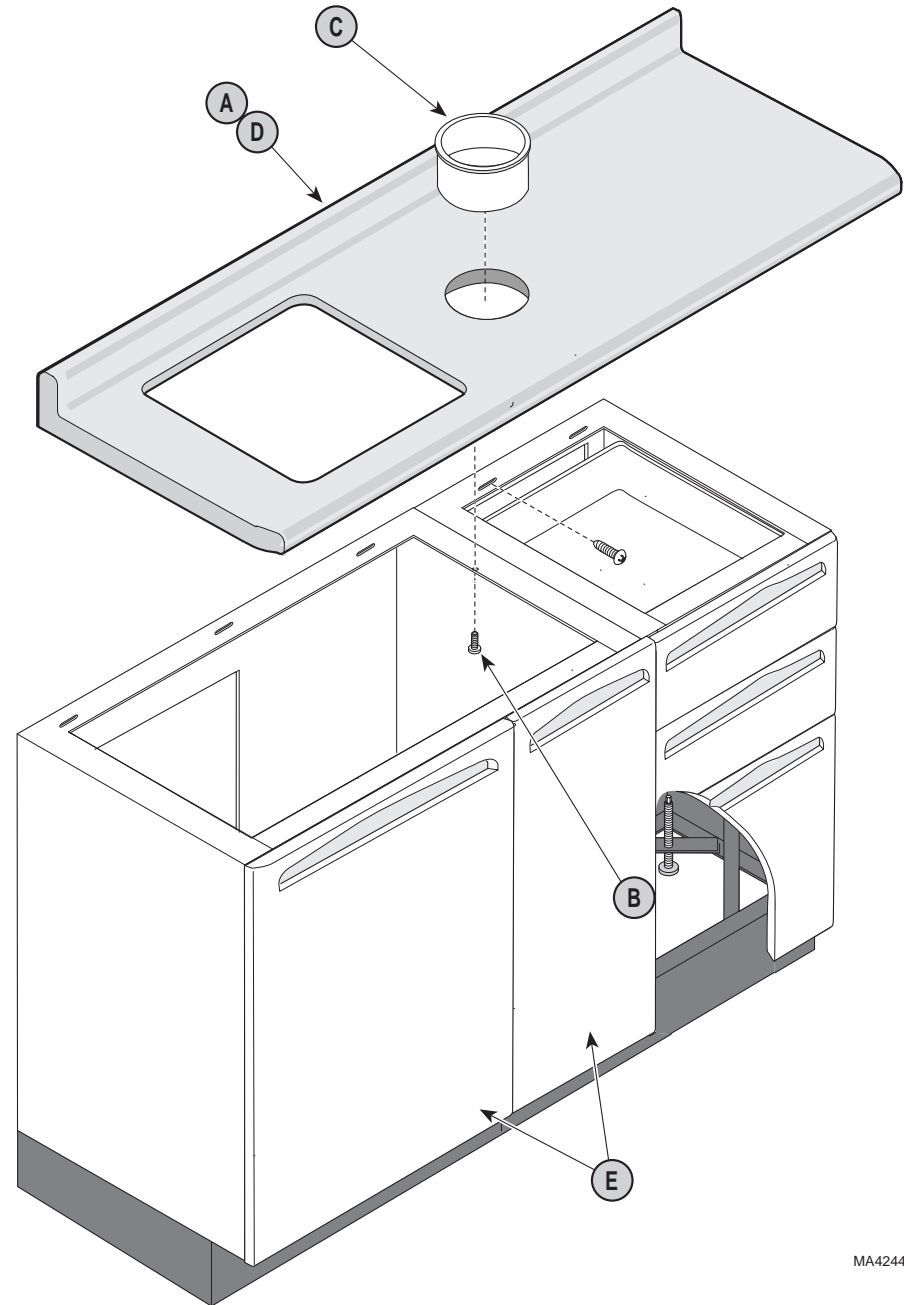


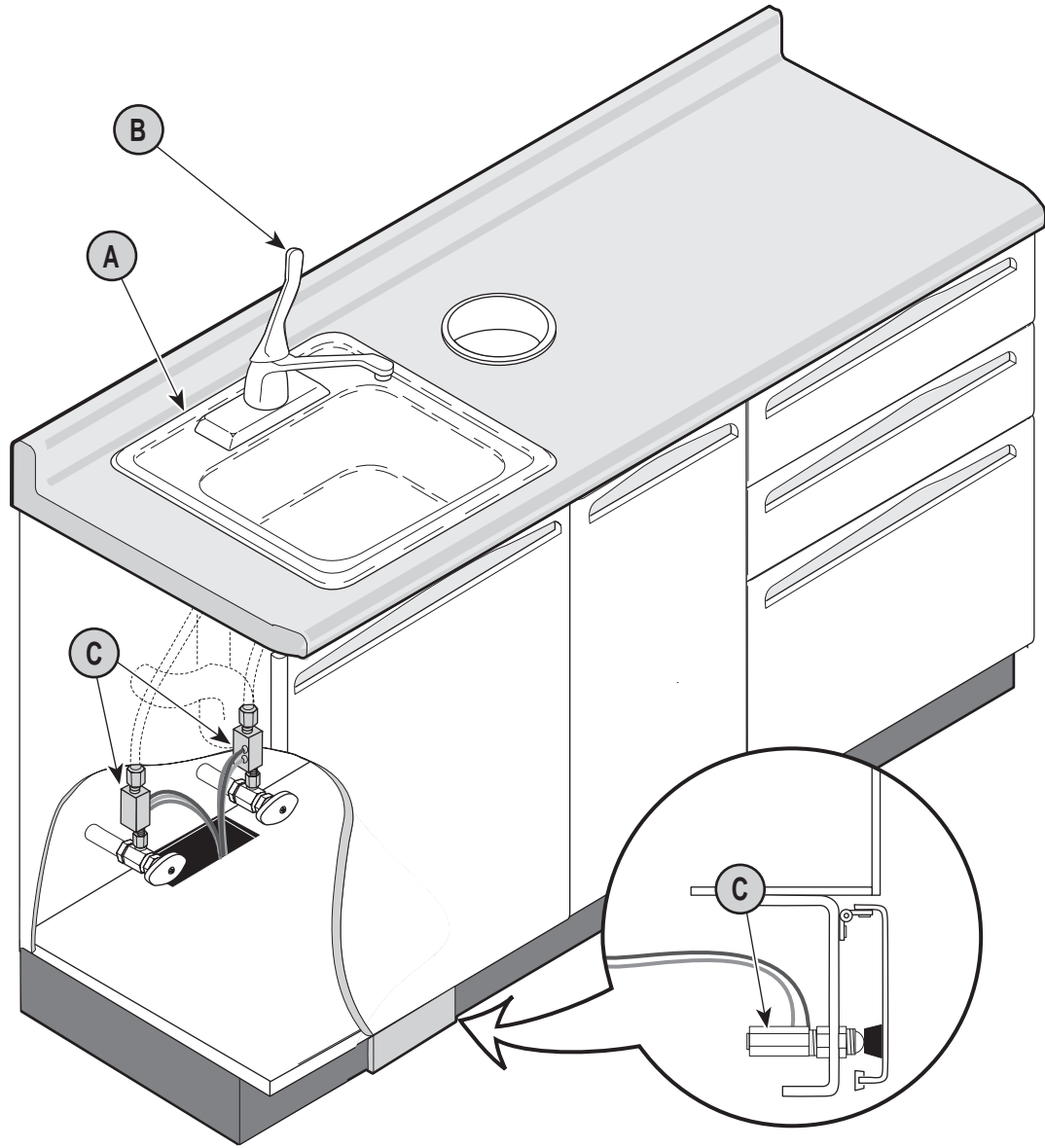
Figure 6

MA424400

PLUMBING CONNECTIONS

Have a licensed plumber install the following parts:

- A - Stainless Steel Sink - Refer to the installation instructions included with the sink (This step does not apply to models w/Solid Surface countertop).
- B - Lever Handle Faucet - Refer to the installation instructions included with the faucet.
- C - Tapmaster™ Faucet Controller - Refer to the installation instructions included with the faucet controller.



MA424500

Figure 7

KNIGHT DENTAL CASEWORK LIMITED WARRANTY

Extension of Warranty:

Midmark® Corporation ("Midmark") warrants to the original purchaser its Knight Dental Casework, manufactured by Midmark, to be free from defects in material and workmanship under normal interior use and service. Midmark's obligation under this warranty is limited to the repair or replacement, at Midmark's option, of the parts or the products the defects of which are reported to Midmark within the applicable warranty period and which upon examination by Midmark prove to be defective.

Applicable Warranty Period

The applicable warranty period, measured from the date of delivery to the original user, shall be as follows:

- (a) Five (5) years for all products and components (except for the shorter periods in (b and c)), including plastic laminate top surfaces, door and drawer fronts, castors, and electrical components such as task lights and cords.
- (b) Three (3) years for task light ballast.
- (c) One (1) year for plastic laminate top surfaces and accessories.

Exclusions

Midmark's warranty does not cover sinks, faucets, and plumbing accessories. Any warranties on these items are extended directly by the manufacturer of these items to the original purchaser. Information on these manufacturers' warranties will be enclosed with the applicable products. Also, Midmark will furnish copies of any of the warranties extended by any such manufacturers upon request.

This warranty does not cover and Midmark shall not be liable for: (1) repairs and replacements required because of misuse, abuse, negligence, alteration, accident, freight damage, or tampering; (2) matching of color, grain, or texture except to commercially acceptable standards; (3) changes in color caused by natural or artificial light; (4) products which are not installed, used, and properly cleaned as required in Midmark's written Installation Manual; (5) specially manufactured products; (6) products considered to be of a consumable nature such as light bulbs and surge suppression product; (7) accessories or parts not manufactured by Midmark; (8) charges by anyone (including Midmark's authorized Knight Dental Casework dealers) for adjustments, repairs, replacement parts, installation, or other work performed upon or in connection with such products which is not expressly authorized in writing in advance by Midmark.

Exclusive Remedy

Midmark's only obligation under this warranty is the repair or replacement of defective parts. Midmark shall not be liable for any direct, special, indirect, incidental, exemplary, or consequential damages or delay.

No Authorization

No person or firm is authorized to create for Midmark any other obligation or liability in connection with the products.

THIS WARRANTY IS MIDMARK'S ONLY WARRANTY AND IS IN LIEU OF ALL OTHER WARRANTIES, EXPRESS OR IMPLIED. MIDMARK MAKES NO IMPLIED WARRANTIES OF ANY KIND INCLUDING ANY WARRANTIES OF MERCHANTABILITY OR FITNESS FOR ANY PARTICULAR PURPOSE. THIS WARRANTY IS LIMITED TO THE REPAIR OR REPLACEMENT OF DEFECTIVE PARTS.

MIDMARK®

Midmark Corporation, Versailles, Ohio 45380 U.S.A.
937-526-3662 TELEX 288007 FAX 937-526-5542