

RECOMMENDED TOOLS

- Screwdriver with phillips head (cordless optional)
- Level
- Tape measure
- 1/4" socket (6 point) with ratchet
- Caulking gun
- Belt sander
- Stud Finder
- Hammer drill w/ 1/4" bit for masonry anchor (for installations on masonry walls)

RECOMMENDED FASTENERS (NOT SUPPLIED)

Stud Walls (Standard)

Use #12 x 2" long round head wood screws (course threaded). The screws must be driven into the wall studs or backing. It may be necessary to use washers to keep the head of the screws from pulling through the holes in the hanging bracket. (Use sheet metal screws for steel studded walls). In studded walls where backing is not provided, it will be necessary to use 3/16" short mollies, or other types of commercial expansion fasteners.

Hollow Tile or Masonry Walls

Use 1/4" machine screw expansion anchors of adequate length. A 3/16" short molly or other type of expansion fastener may be used if the installers predrill the hole.

Rough Solid Concrete or Brick Wall

Use #12 round head wood screws or a specialized masonry fastener.

MODELS:

DM-SDR001 (Short Arm Side Delivery Casework w/Sink & Storage, RH)

DM-SDL001 (Short Arm Side Delivery Casework w/Sink & Storage, LH)

DM-SDR002 (Short Arm Side Delivery Casework w/Sink, RH)

DM-SDL002 (Short Arm Side Delivery Casework w/Sink, LH)

DM-SDR003 (Short Arm Side Delivery Casework, RH)

DM-SDL003 (Short Arm Side Delivery Casework, LH)

DM-SDR001SS (Short Arm Side Delivery Casework w/Sink & Storage, RH w/Solid Surface)

DM-SDL001SS (Short Arm Side Delivery Casework w/Sink & Storage, LH w/ Solid Surface)

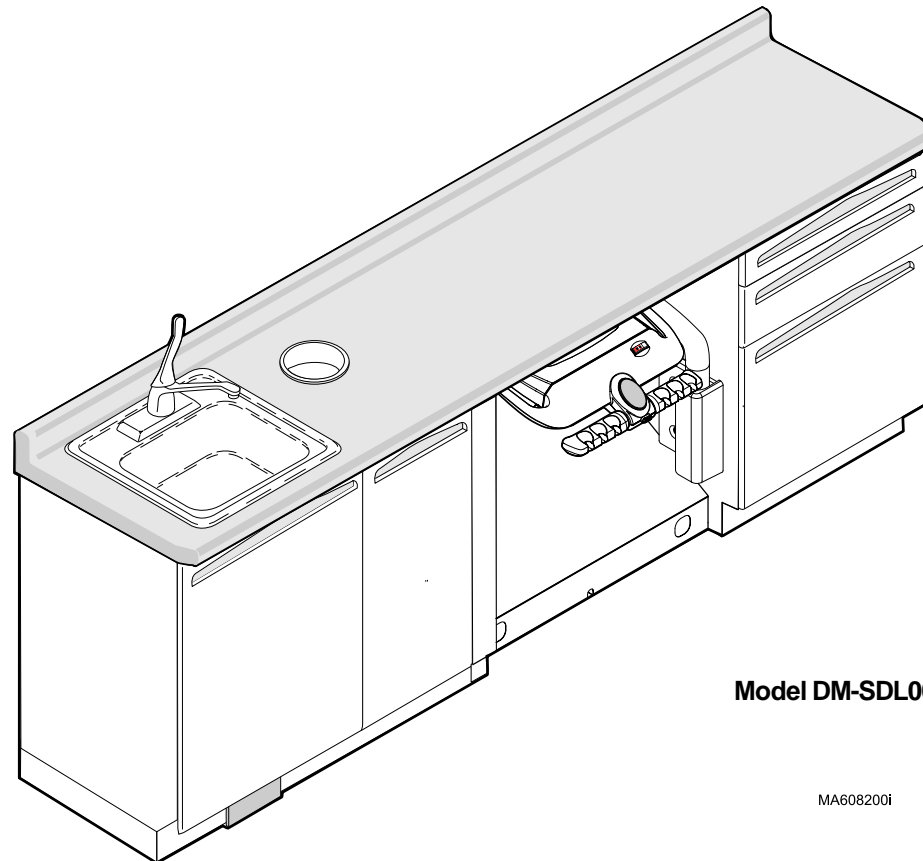
DM-SDR002SS (Short Arm Side Delivery Casework w/Sink, RH w/Solid Surface)

DM-SDL002SS (Short Arm Side Delivery Casework w/Sink, LH w/Solid Surface)

DM-SDR003SS (Short Arm Side Delivery Casework, RH w/Solid Surface)

DM-SDL003SS (Short Arm Side Delivery Casework, LH w/ Solid Surface)

Installation Instructions



Model DM-SDL001 (Shown)

WALL LAYOUT PREPARATION

(as applicable)

NOTE

Please check local electrical and plumbing codes. Midmark is not responsible for installations which do not conform to local codes.

- A - The wall layout (Figure 1) shows a unit with sink and storage cabinet options. If the unit you are installing does not have a sink or storage option, disregard instructions and dimensional information for those options.
- B - Have a licensed electrical contractor position and install electrical outlet receptacles as necessary using layout (Figure 1).
- C - Have a licensed plumbing contractor position and install plumbing using layout (Figures 1 and 2).

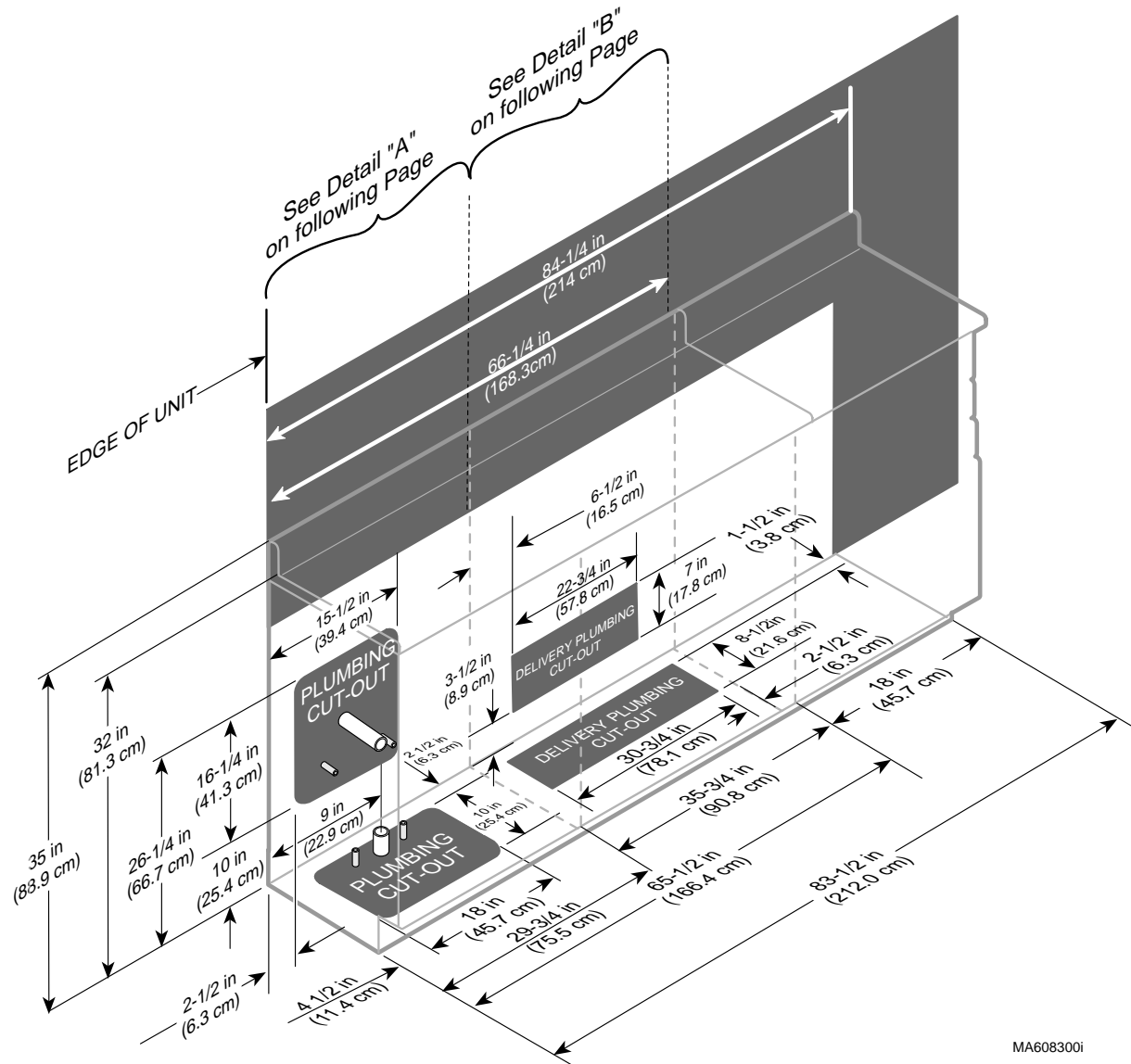
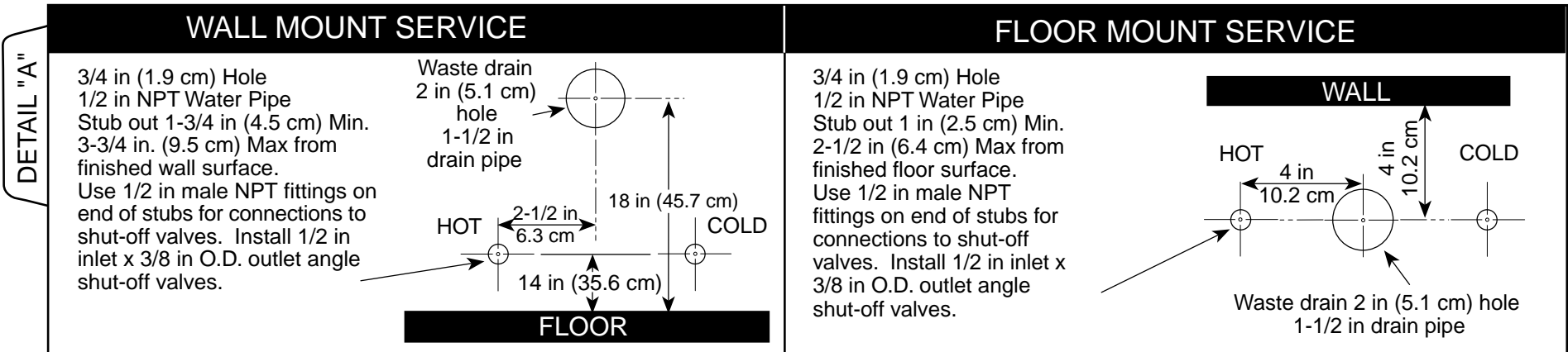


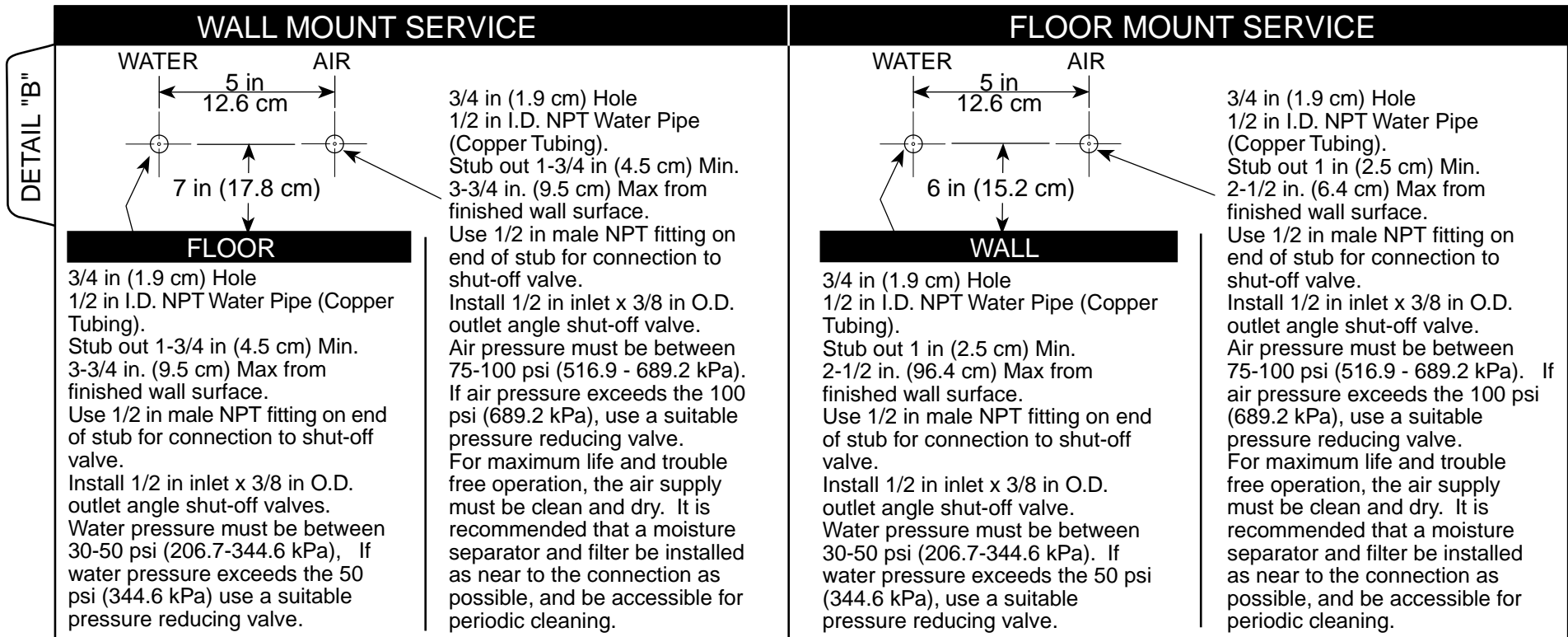
Figure 1

MA608300i

SINK SERVICE DETAILS



DELIVERY UNIT SERVICE DETAILS



CABINET INSTALLATION

NOTE:

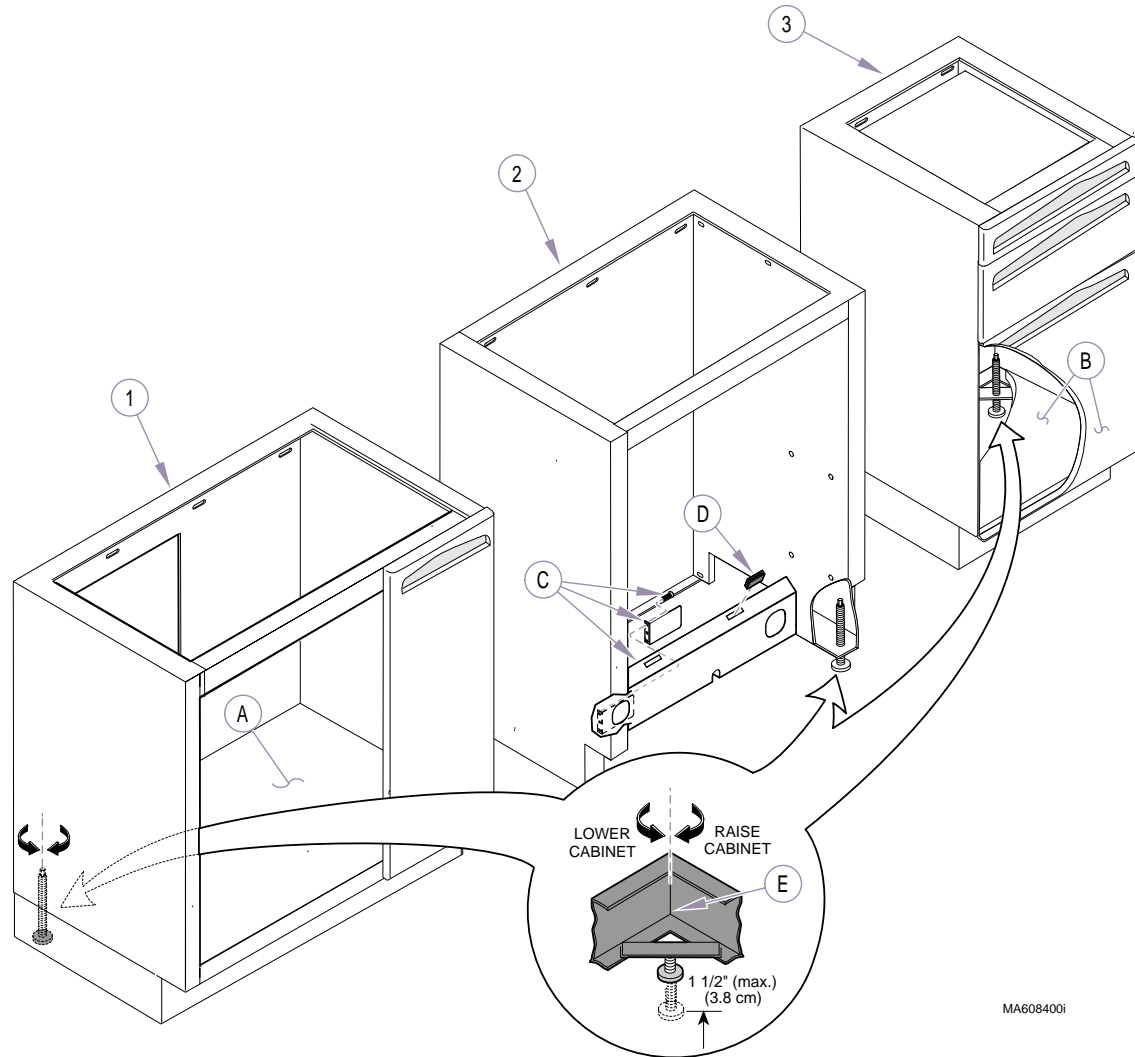
This unit consists of three separate cabinets; a sink cabinet (1), side delivery cabinet (2), and a storage cabinet (3). The sink cabinet and storage cabinet are optional.

- A - Remove bottom shelf from sink cabinet.
- B - Remove bottom drawer **or** bottom shelf from storage cabinet.

NOTE:

Use the umbilical hole cover to cover the hole that will not be used.

- C - Position plumbing cover bracket and umbilical hole cover; then secure with four #10 x 5/8" screws (*supplied*).
- D - Install two plumbing cover magnets
- E - Adjust all leveling screws to the fully lowered position.



MA608400i

Figure 3

CABINET INSTALLATION

- Continued

A - Move edge of sink cabinet into desired position.

B - Move sink cabinet into position against wall.

NOTE

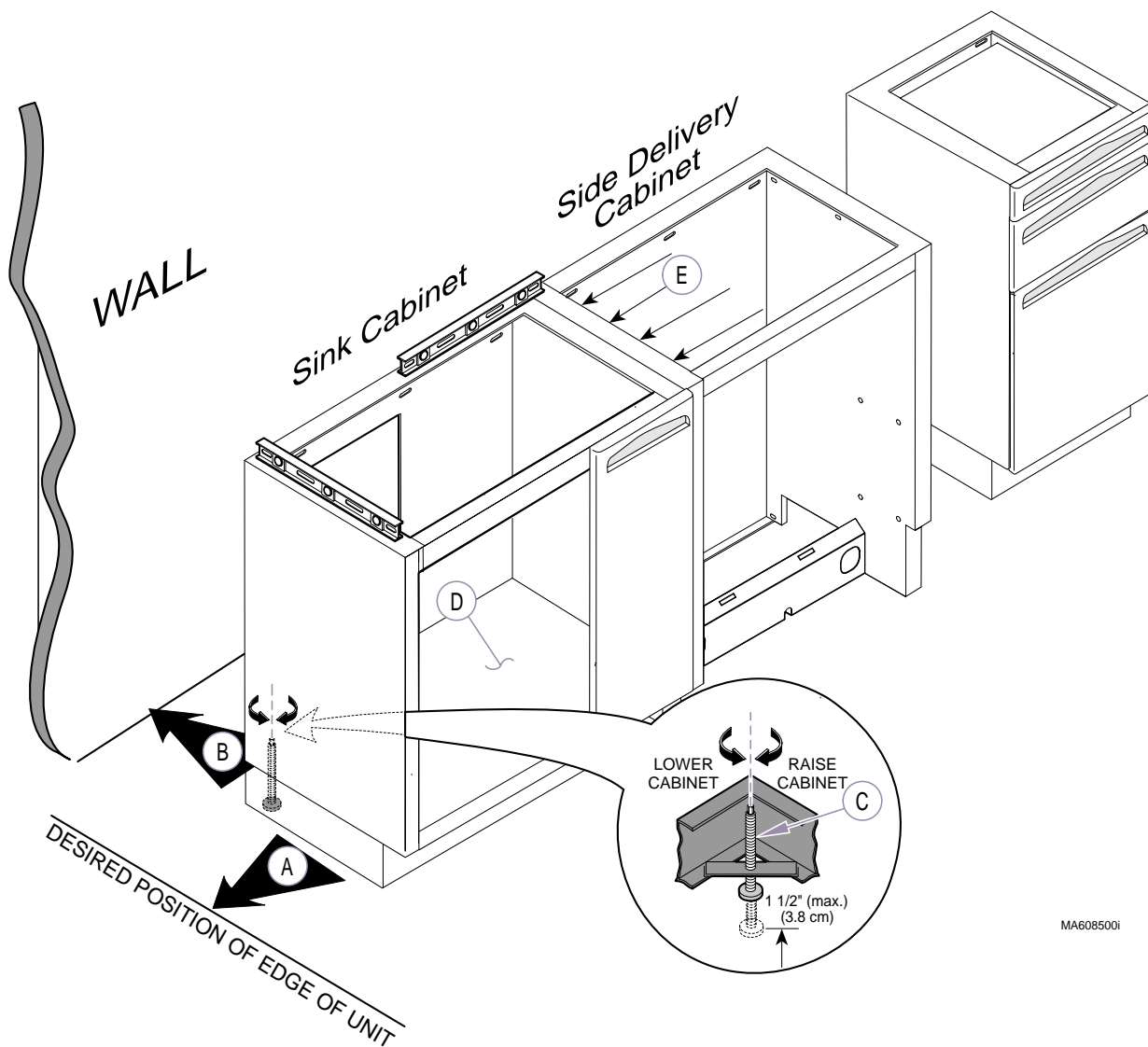
Adjust sink cabinet high enough so that the other cabinets may be adjusted if the floor is unlevel.

C - Adjust leveling screws until sink cabinet is level.

[To ensure stability, do not adjust leveling screws more than 1-1/2 in. (3.8 cm)].

D - Re-install bottom in sink cabinet.

E - Position side delivery cabinet against sink cabinet and wall.



MA608500i

Figure 4

CABINET INSTALLATION

- Continued

- A - Tilt side delivery cabinet up on its edge and adjust leveling screws until cabinet is level. Align the top with the top of the sink cabinet

[To ensure stability, do not adjust leveling screws more than 1-1/2 in. (3.8 cm)].

- B - Position storage cabinet against side delivery cabinet and wall.

- C - Level storage cabinet. Align the top with the top of the side delivery cabinet by adjusting leveling screws

[To ensure stability, do not adjust leveling screws more than 1-1/2 in. (3.8 cm)].

- D - Depending on type of storage cabinet, re-install bottom drawer **or** bottom shelf in storage cabinet.

- E - Attach the cabinets to the wall with appropriate fasteners
(see cover page).

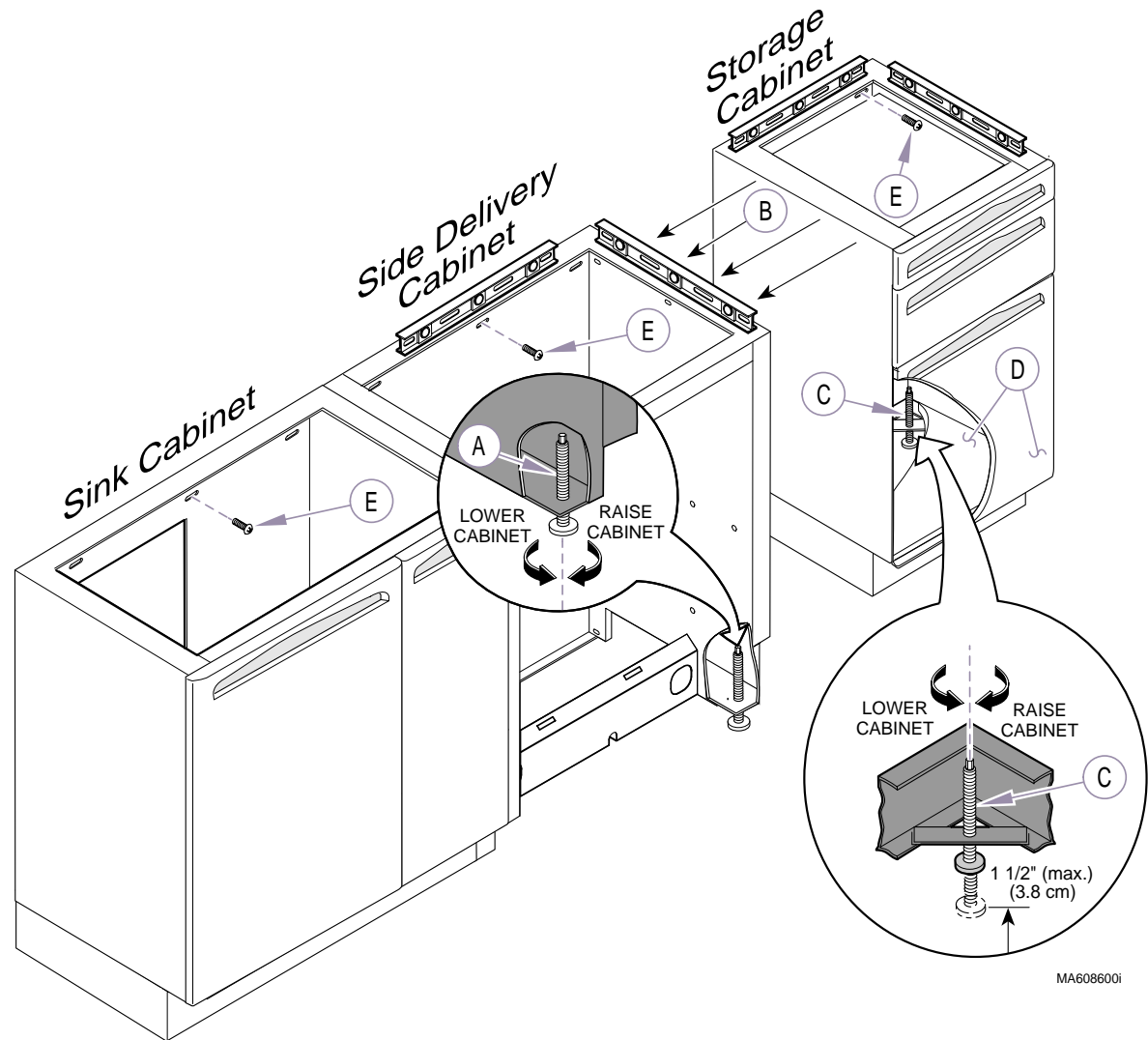


Figure 5

SIDE DELIVERY UNIT ASSEMBLY

If installing a **Midmark ProCenter Side Delivery Unit**, refer to: *Side Delivery Unit Installation Guide* (003-1292-00).

If delivery unit being installed is not a Midmark unit, refer to manufacturer's instructions for proper installation procedures.

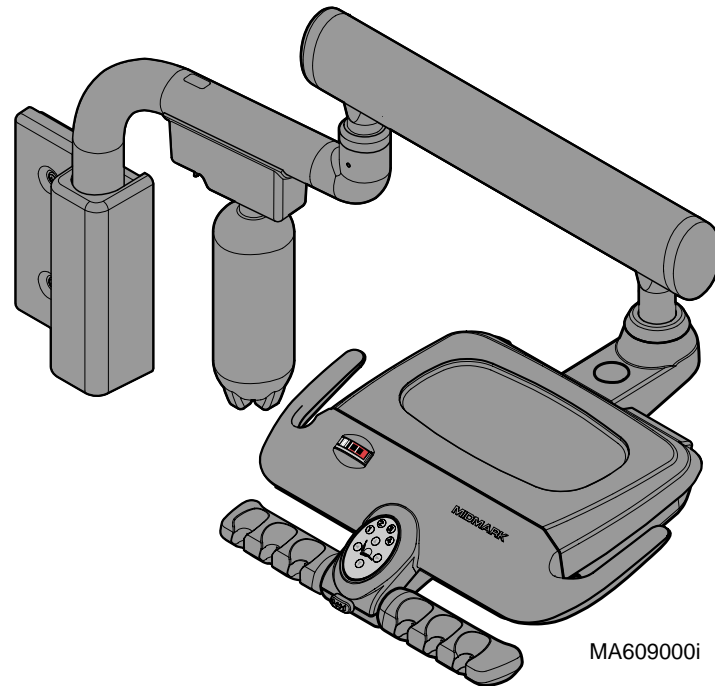


Figure 6

CABINET DOORS ADJUSTMENT

- A - Check vertical & horizontal alignment of cabinet doors.

- B - To adjust vertical alignment: loosen screws (B) on both hinges of door. After adjusting, retighten screws.

- C - To adjust horizontal alignment: loosen screws (C) on both hinges of door [ideal gap between doors is 1/16 in. (1.6 mm)]. After adjusting, retighten screws.

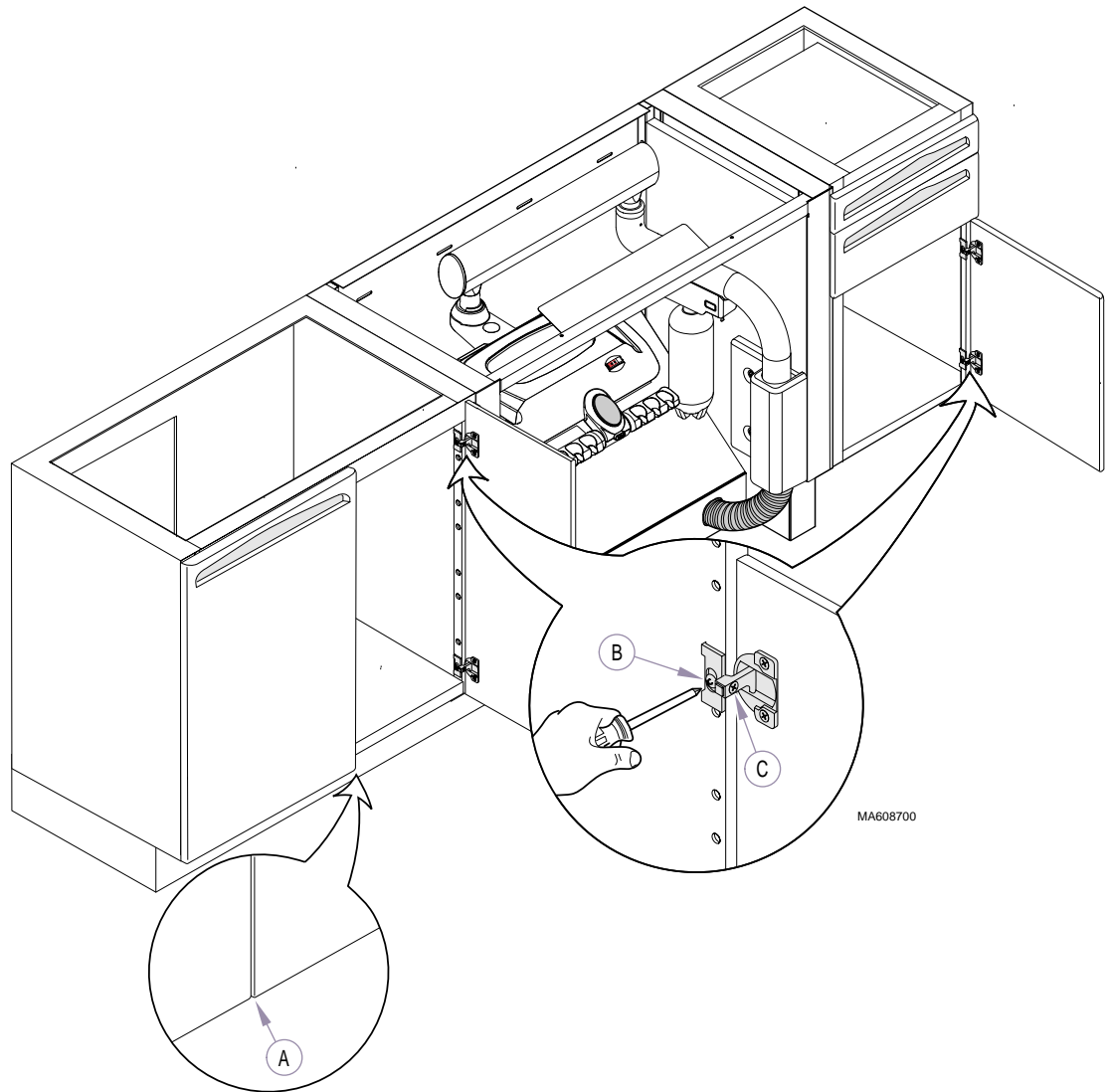


Figure 7

COUNTERTOP INSTALLATION

- A - Scribe (sand) countertop as necessary to form to wall.
- B - Secure countertop to base cabinet with #10 x 5/8" screws (supplied), making sure the countertop extends over each end of the cabinet(s) 3/8 inch (0.95 cm).
- C - Install waste ring in countertop (supplied).
[This step does not apply to models w/Solid Surface countertop].
- D - Caulk edges of countertop as necessary to seal the wall.
- E - Wipe exterior of cabinets with a mild spray cleaner and broom clean all drawers and storage areas.

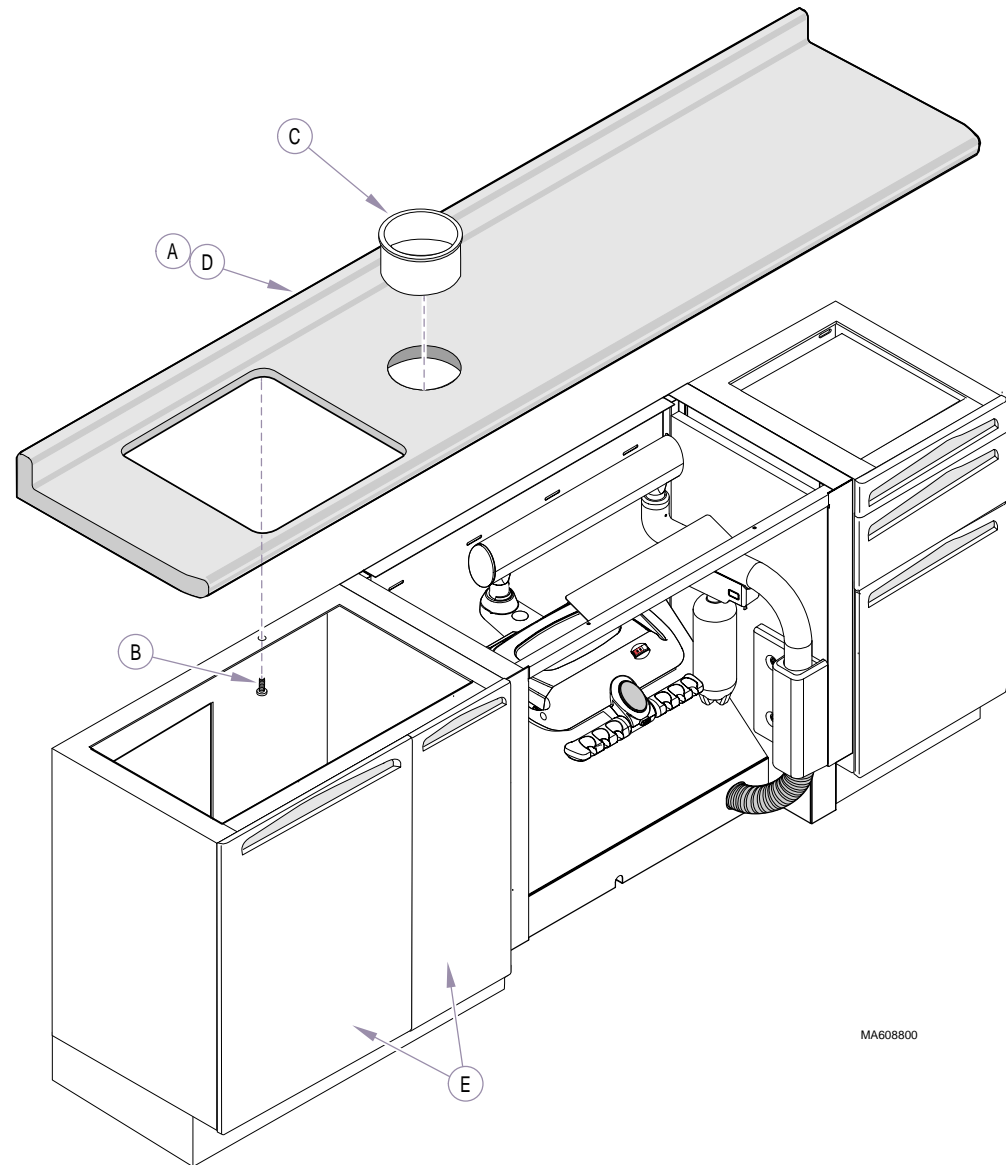


Figure 8

PLUMBING CONNECTIONS

Have a licensed plumber install the following parts:

- A - Stainless Steel Sink - Refer to the installation instructions included with the sink (This step does not apply to models w/Solid Surface countertop).
- B - Lever Handle Faucet - Refer to the installation instructions included with the faucet.
- C - Tapmaster™ Faucet Controller - Refer to the installation instructions included with the faucet controller.

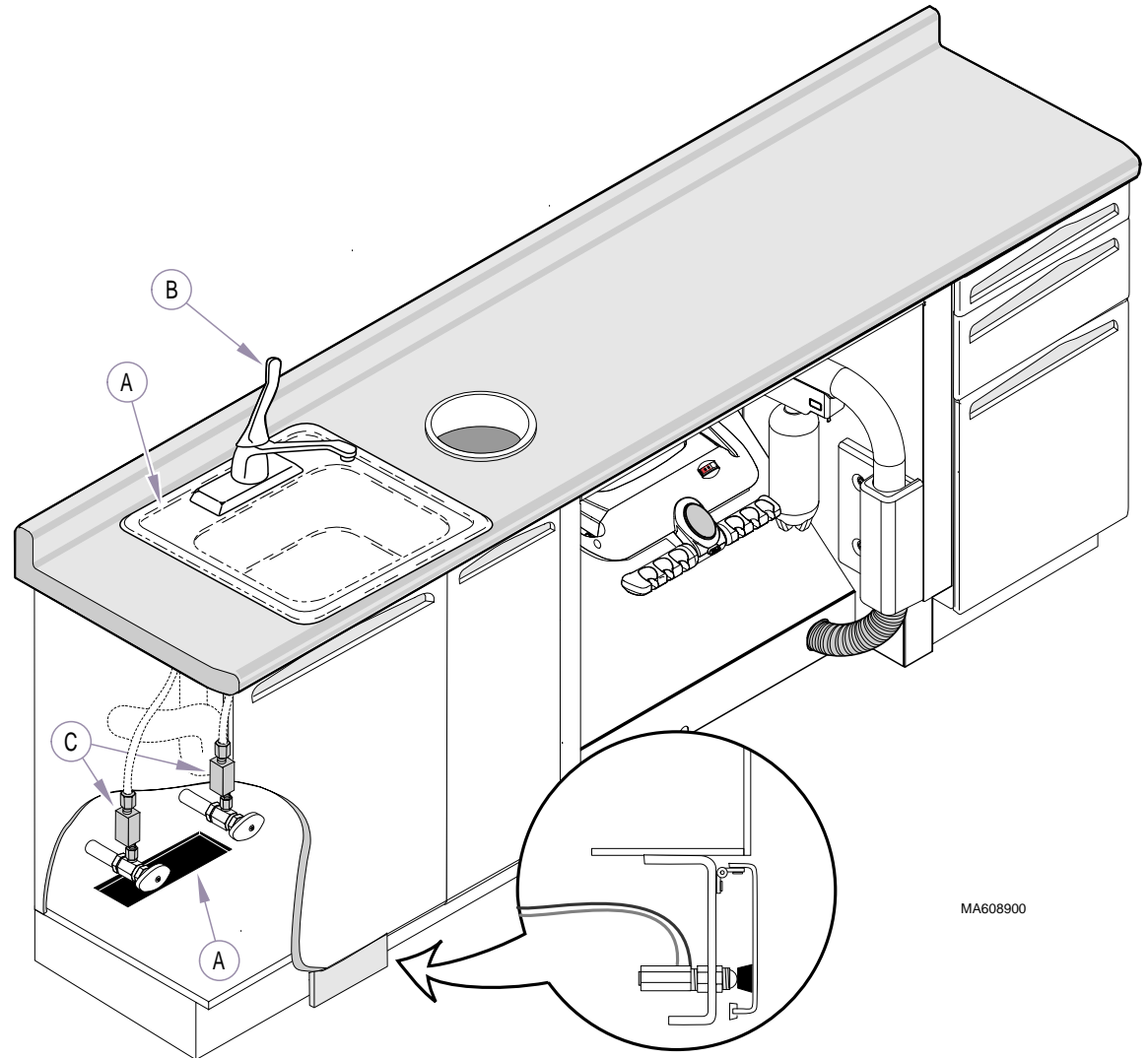


Figure 9

KNIGHT DENTAL CASEWORK LIMITED WARRANTY

Extension of Warranty:

Midmark® Corporation ("Midmark") warrants to the original purchaser its Knight Dental Casework, manufactured by Midmark, to be free from defects in material and workmanship under normal interior use and service. Midmark's obligation under this warranty is limited to the repair or replacement, at Midmark's option, of the parts or the products the defects of which are reported to Midmark within the applicable warranty period and which upon examination by Midmark prove to be defective.

Applicable Warranty Period

The applicable warranty period, measured from the date of delivery to the original user, shall be as follows:

- (a) Five (5) years for all products and components (except for the shorter periods in (b and c)), including plastic laminate top surfaces, door and drawer fronts, castors, and electrical components such as task lights and cords.
- (b) Three (3) years for task light ballast.
- (c) One (1) year for plastic laminate top surfaces and accessories.

Exclusions

Midmark's warranty does not cover sinks, faucets, and plumbing accessories. Any warranties on these items are extended directly by the manufacturer of these items to the original purchaser. Information on these manufacturers' warranties will be enclosed with the applicable products. Also, Midmark will furnish copies of any of the warranties extended by any such manufacturers upon request.

This warranty does not cover and Midmark shall not be liable for: (1) repairs and replacements required because of misuse, abuse, negligence, alteration, accident, freight damage, or tampering; (2) matching of color, grain, or texture except to commercially acceptable standards; (3) changes in color caused by natural or artificial light; (4) products which are not installed, used, and properly cleaned as required in Midmark's written Installation Manual; (5) specially manufactured products; (6) products considered to be of a consumable nature such as light bulbs and surge suppression product; (7) accessories or parts not manufactured by Midmark; (8) charges by anyone (including Midmark's authorized Knight Dental Casework dealers) for adjustments, repairs, replacement parts, installation, or other work performed upon or in connection with such products which is not expressly authorized in writing in advance by Midmark.

Exclusive Remedy

Midmark's only obligation under this warranty is the repair or replacement of defective parts. Midmark shall not be liable for any direct, special, indirect, incidental, exemplary, or consequential damages or delay.

No Authorization

No person or firm is authorized to create for Midmark any other obligation or liability in connection with the products.

THIS WARRANTY IS MIDMARK'S ONLY WARRANTY AND IS IN LIEU OF ALL OTHER WARRANTIES, EXPRESS OR IMPLIED. MIDMARK MAKES NO IMPLIED WARRANTIES OF ANY KIND INCLUDING ANY WARRANTIES OF MERCHANTABILITY OR FITNESS FOR ANY PARTICULAR PURPOSE. THIS WARRANTY IS LIMITED

MIDMARK®

Midmark Corporation, Versailles, Ohio 45380 U.S.A.
937-526-3662 TELEX 288007 FAX 937-526-5542