

RECOMMENDED TOOLS

- Screwdriver with 5-7" shaft & phillips head (cordless optional)
- Screwdriver with 1-2" shaft & phillips head
- Level
- Tape measure
- 1/4" socket (6 point) with ratchet
- Stud Finder
- Hammer drill w/ 1/4" bit for masonry anchor (for installations on masonry walls)

RECOMMENDED FASTENERS (NOT SUPPLIED)

Stud Walls (Standard)

Use #12 x 2" long round head wood screws (course threaded). The screws must be driven into the wall studs or backing. It may be necessary to use washers to keep the head of the screws from pulling through the holes in the hanging bracket. (Use sheet metal screws for steel studded walls). In studded walls where backing is not provided, it will be necessary to use 3/16" short mollies, or other types of commercial expansion fasteners.

Hollow Tile or Masonry Walls

Use 1/4" machine screw expansion anchors of adequate length. A 3/16" short molly or other type of expansion fastener may be used if the installers predrill the hole.

Rough Solid Concrete or Brick Wall

Use #12 round head wood screws or a specialized masonry fastener.

MODELS:

DM-RTR001 (12:00 Treatment Casework w/Overhead and Task Light, RH)

DM-RTL001 (12:00 Treatment Casework w/Overhead and Task Light, LH)

DM-RTR002 (12:00 Treatment Casework w/Overhead, RH)

DM-RTL002 (12:00 Treatment Casework w/Overhead, LH)

DM-RTR003 (12:00 Treatment Casework, RH)

DM-RTL003 (12:00 Treatment Casework, LH)

DM-RTR001SS (12:00 Treatment Casework w/Overhead and Task Light, RH w/Solid Surface)

DM-RTL001SS (12:00 Treatment Casework w/Overhead and Task Light, LH w/Solid Surface)

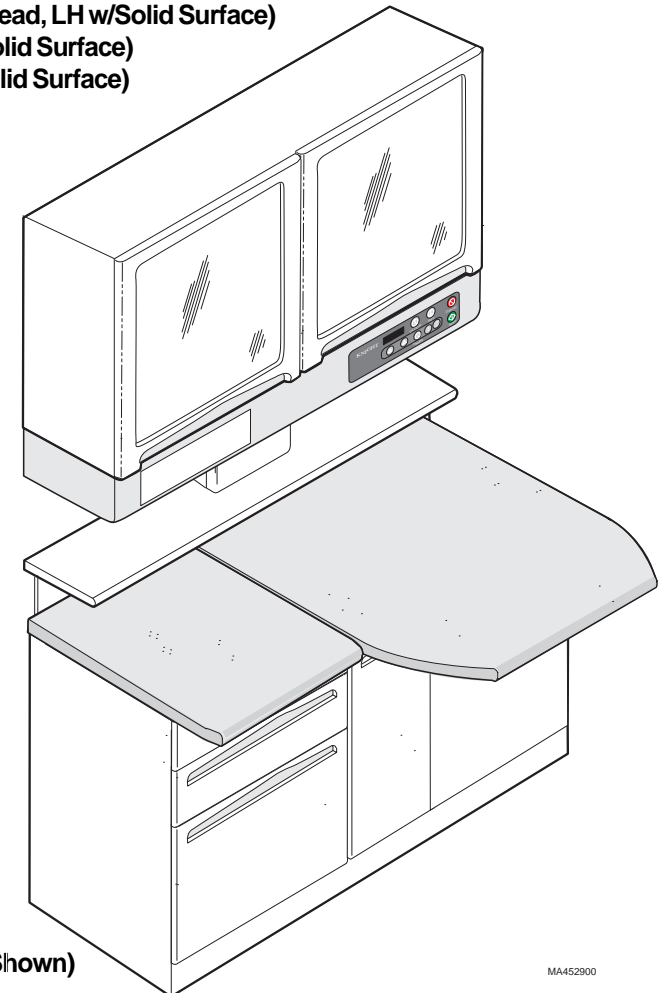
DM-RTR002SS (12:00 Treatment Casework w/Overhead, RH w/Solid Surface)

DM-RTL002SS (12:00 Treatment Casework w/Overhead, LH w/Solid Surface)

DM-RTR003SS (12:00 Treatment Casework, RH w/Solid Surface)

DM-RTL003SS (12:00 Treatment Casework, LH w/Solid Surface)

Installation Instructions



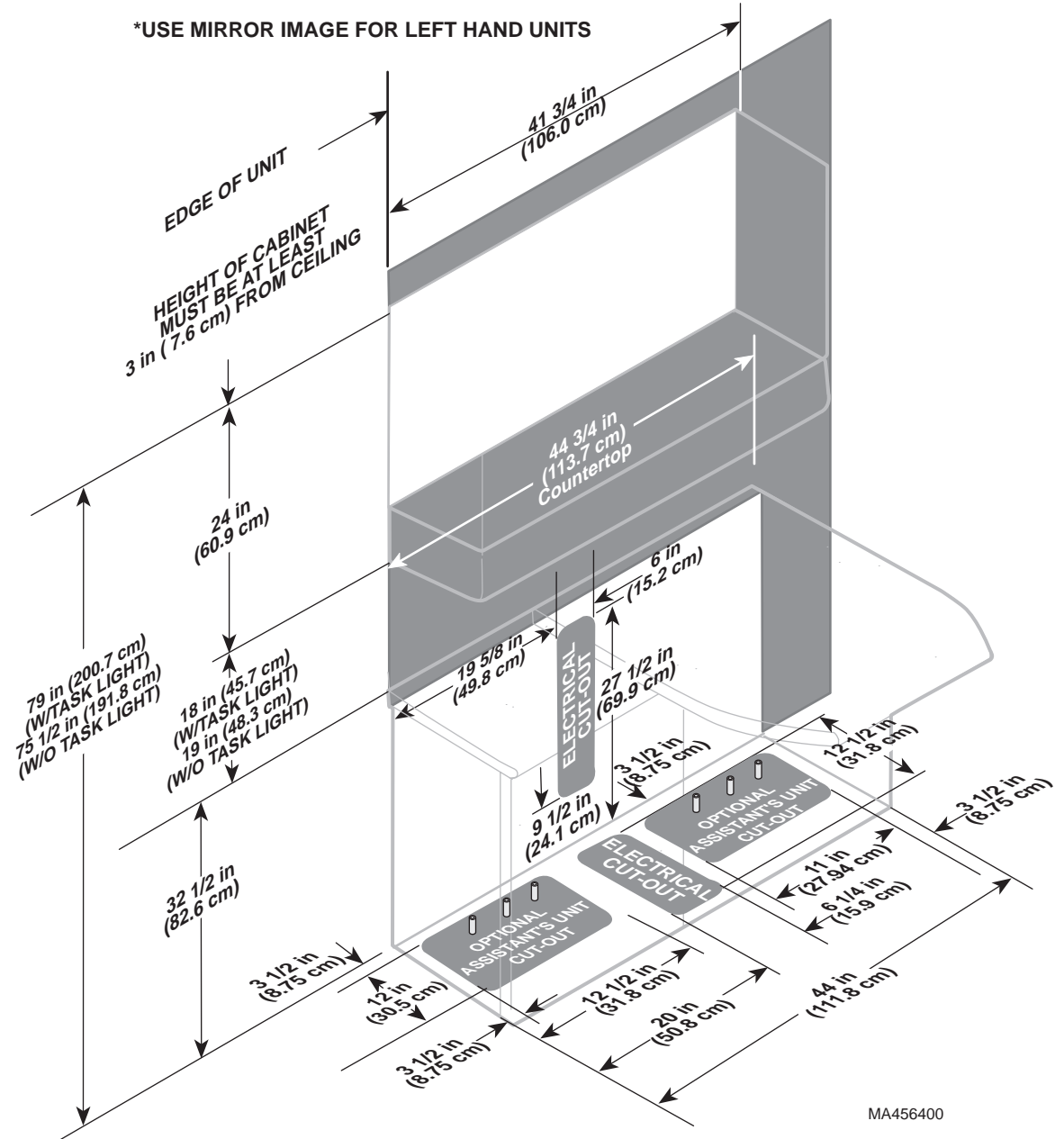
DM-RTR001 (Shown)

WALL LAYOUT PREPARATION (as applicable)

NOTE:

Please check local electrical and plumbing codes. Knight cannot be held responsible for installations which do not conform to local codes.

- A - The wall layouts (Figures 1 and 2) show a unit with a task light / clock and overhead options. If the unit you are installing does not have a task light / clock or an overhead, disregard instructions and dimensional information for those options.
- B - Have a licensed electrical contractor position and install electrical outlet receptacles as necessary using layouts (Figures 1 and 2).
- C - Have a licensed plumbing contractor position and install plumbing using layouts (Figures 1 and 2).

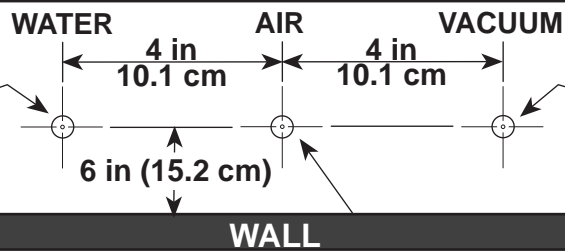


MA456400

Figure 1

ASSISTANT'S UNIT SERVICE DETAILS

FLOOR MOUNT SERVICE



3/4 in (1.9 cm) Hole. 1/2 in I.D. NPT Water Pipe (Copper Tubing). Stub out 1-3/4 in (4.5 cm) Min. 3-3/4 in. (9.5 cm) Max from finished floor surface. Use 1/2 in male NPT fitting on end of stub for connection to shut-off valve. Install 1/2 in inlet x 3/8 in O.D. outlet angle shut-off valves. Water pressure must be between 30-50 psi (206.7-344.6 kPa), If water pressure exceeds the 50 psi (344.6 kPa) use a suitable pressure reducing valve.

3/4 in (1.9 cm) Hole. 1/2 in I.D. NPT Water Pipe (Copper Tubing). Stub out 1-3/4 in (4.5 cm) Min. 3-3/4 in. (9.5 cm) Max from finished floor surface. Use 1/2 in male NPT fitting on end of stub for connection to shut-off valve. Install 1/2 in inlet x 3/8 in O.D. outlet angle shut-off valve. Air pressure must be between 75-100 psi (516.9 - 689.2 kPa). If air pressure exceeds the 100 psi (689.2 kPa), use a suitable pressure reducing valve. For maximum life and trouble free operation, the air supply must be clean and dry. It is recommended that a moisture separator and filter be installed as near to the connection as possible, and be accessible for periodic cleaning.

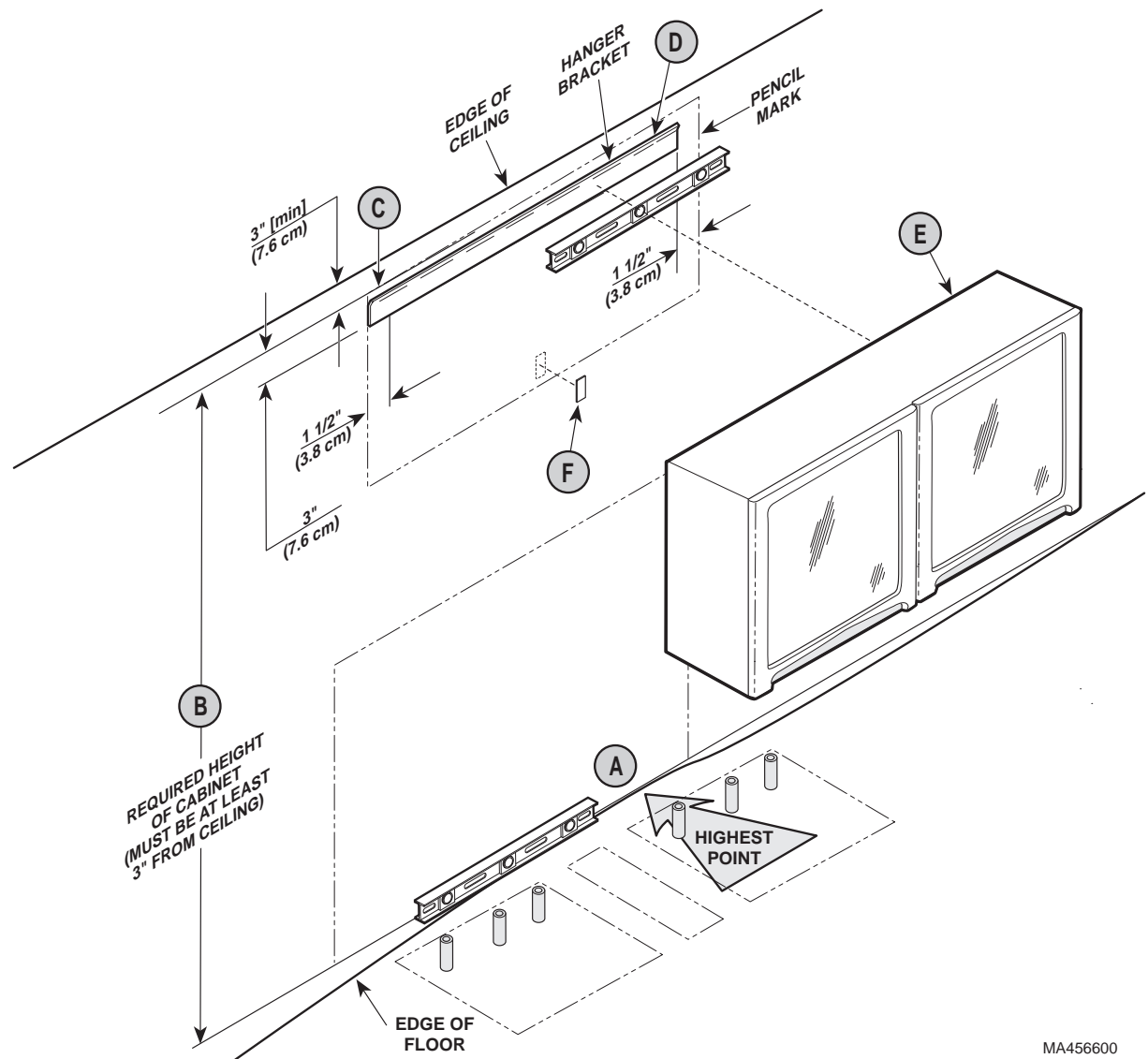
7/8 in (2.2 cm) Hole. 5/8 in O.D. NPT Copper Tubing or Plastic Tubing. Stub out 1 in (2.5 cm) Min. 2-1/2 in. (6.4 cm) Max from finished floor surface. Vacuum level must be adjustable to 10 in Hg (25.4 mm Hg) with all vacuum lines closed.

MA456500

Figure 2

OVERHEAD CABINET INSTALLATION (if applicable)

- A - Find the highest point of floor.
- B - Measure up from the highest point of floor and make a mark at required installation height of overhead cabinet [if an optional task light is being installed with overhead, Dimension B is 79 in (200.7 cm). If an overhead only is being installed, Dimension B is 75-1/2 in (191.8 cm)].
- C - Measure down 3 inches (7.6 cm) and make another mark. Use level to extend mark entire width of overhead cabinet.
- D - Line up bottom of hanging bracket with mark and secure with hardware (not supplied). Use shims if wall is not true.
- E - Hang overhead cabinet, making sure it is firmly in place on hanging bracket before releasing it.
- F - If necessary, level overhead cabinet with shims and double sided tape (not supplied).



MA456600

Figure 3

OVERHEAD CABINET DOORS ADJUSTMENT AND SHELF INSTAL- LATION (if applicable)

- A - Check to see if doors need adjusted vertically or horizontally.
- B - Adjust doors vertically (so doors are at correct height (aligned with bottom of cabinet) and both doors are even with each other on the bottom) by loosening screws (B) on both hinges of door. After adjusting, retighten screws.
- C - Adjust doors horizontally (so doors meet properly; not too large of a gap between doors or doors touching and preventing them from closing properly) by loosening screws (C) on both hinges of door [ideal gap is 1/16 in. (1.6 mm)]. After adjusting, re-tighten screws.
- D - Install shelf brackets and then the shelf at the desired height.

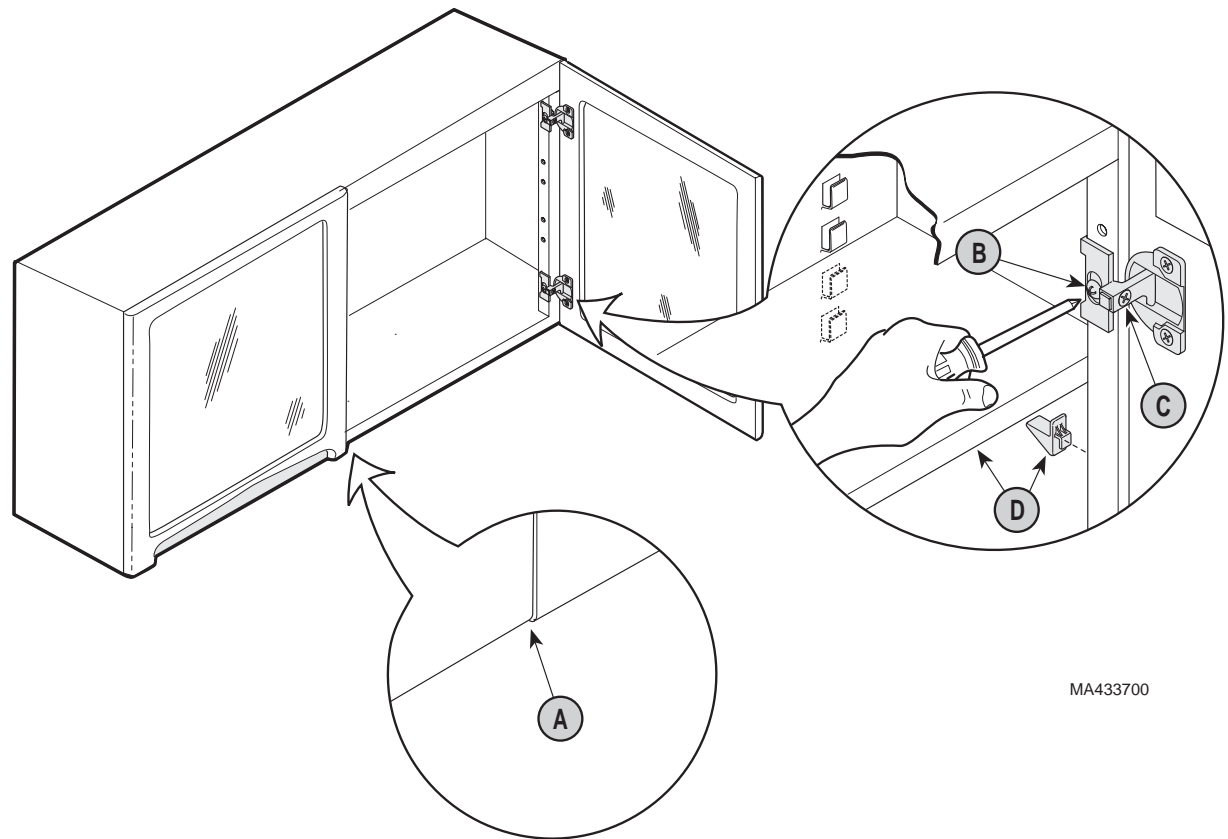
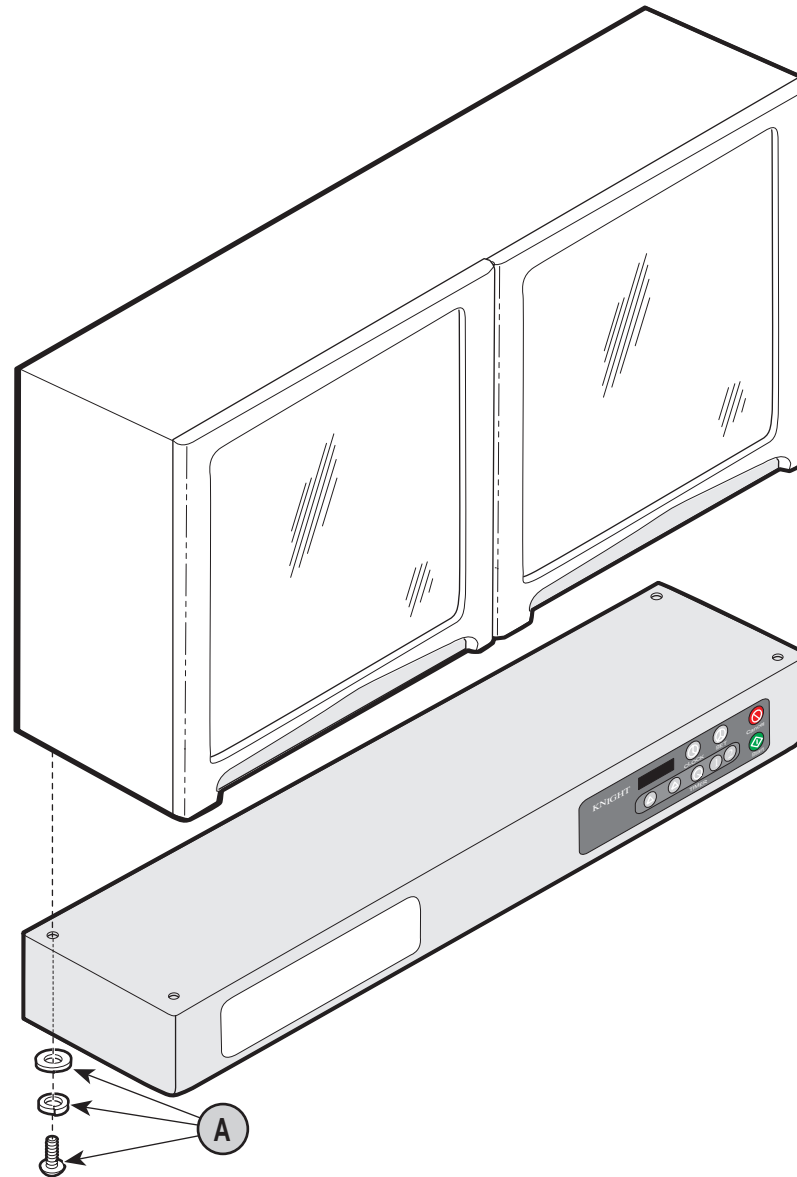


Figure 4

TASK LIGHT INSTALLATION (if applicable)

- A - Attach the task light to the bottom of the overhead with four #10-24x5/8 screws, #10 lockwashers, and #10 flat washers (supplied).
- B - Refer to the Installation & Operation instructions included with task light unit for additional details.



MA433800

Figure 5

BASE CABINET INSTALLATION

- A - On units with an overhead or task light / clock, determine centerline of overhead or task light / clock. Using a level, mark a vertical line on wall down to base cabinet height.
- B - Move base cabinet into position against wall.
- C - Position base cabinet by centering top flange (1) with centerline mark on wall.
- D - Remove three drawers from front of cabinet and two drawers from end of cabinet. To remove a drawer, pull drawer out until it meets resistance. Then, on both sides of drawer, bend sides of drawer outward until locking slots (2) of drawer are free of tabs (3) on drawer slides.
- E - If installed, open door and remove bottom from center cabinet.
- F - If installed, open door and remove bottom from end cabinet.
- G - Using a 1/4" socket, adjust leveling screws to the fully lowered position. Then, level base cabinet by adjusting leveling screws (Do not adjust leveling screws more than 1-1/2 in. (3.8 cm) to prevent loss of stability).

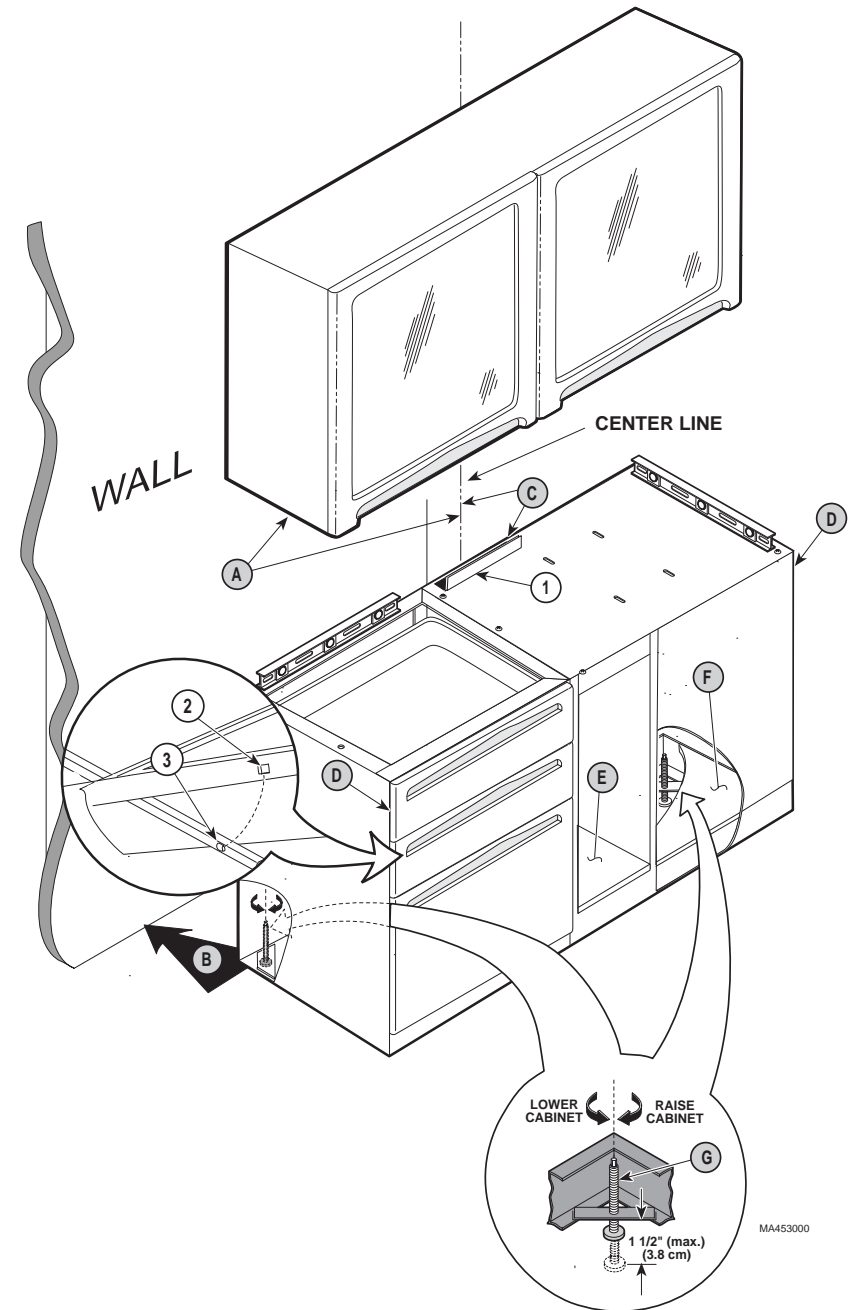


Figure 6

BASE CABINET INSTALLATION - CONTINUED

A - Attach cabinet to wall with appropriate fasteners (see cover page of this manual for fasteners).

B - Remove access panels from electrical channel.

NOTE:

On units without a task light or overhead, electrical channel is shorter and fits under shelf.

C - Attach electrical channel to wall with six #6 drywall screws (not supplied); the top of channel fits in slot of task light or underneath overhead and the bottom of channel rests on cabinet.

D - Depending on unit style, attach one / two brackets to base cabinet with three / six #10 flat head screws (supplied). On units with two brackets, one bracket is approximately 1/4" shorter than the other; the shorter bracket must be installed on left side of unit.

E - Depending on unit style, attach half / full shelf to bracket(s) with four / eight #8-1/2 flat head screws (supplied).

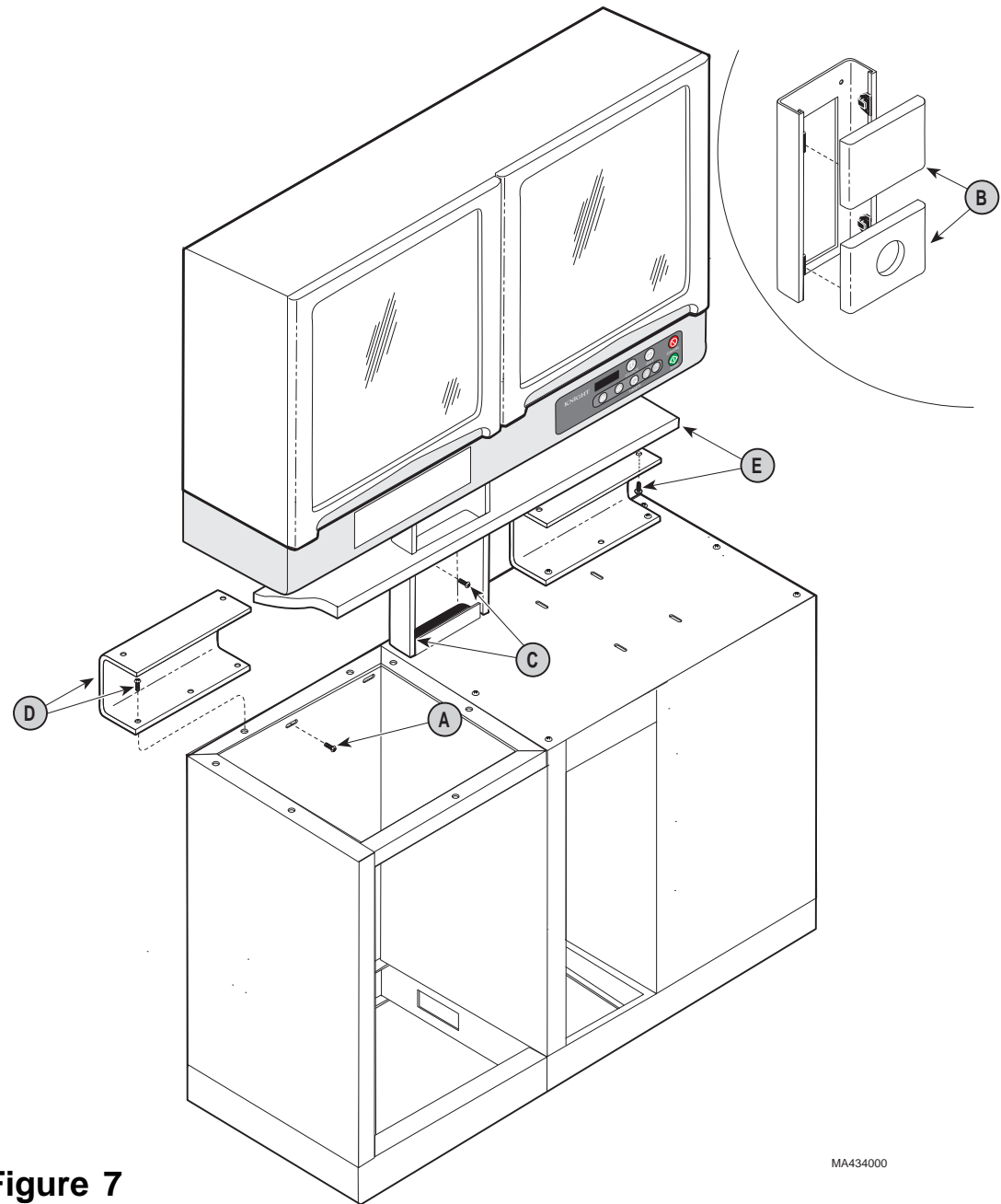


Figure 7

MA434000

BASE CABINET INSTALLATION - CONTINUED

- A - Position spacer (1) on inside edge of shelf bracket.
- B - Position sliding countertop on cabinet, making sure studs (2) on bottom of countertop are in slots (3) of cabinet.
- C - While pushing sliding countertop against spacer (1), secure countertop in place with four lockwashers and nuts. Remove spacer (1).
- D - Position stationary countertop on cabinet using spacer (1) to ensure proper spacing between stationary countertop and sliding countertop.
- E - Secure stationary countertop with four #10-5/8" screws (supplied).
- F - Remove spacer (1) and discard.

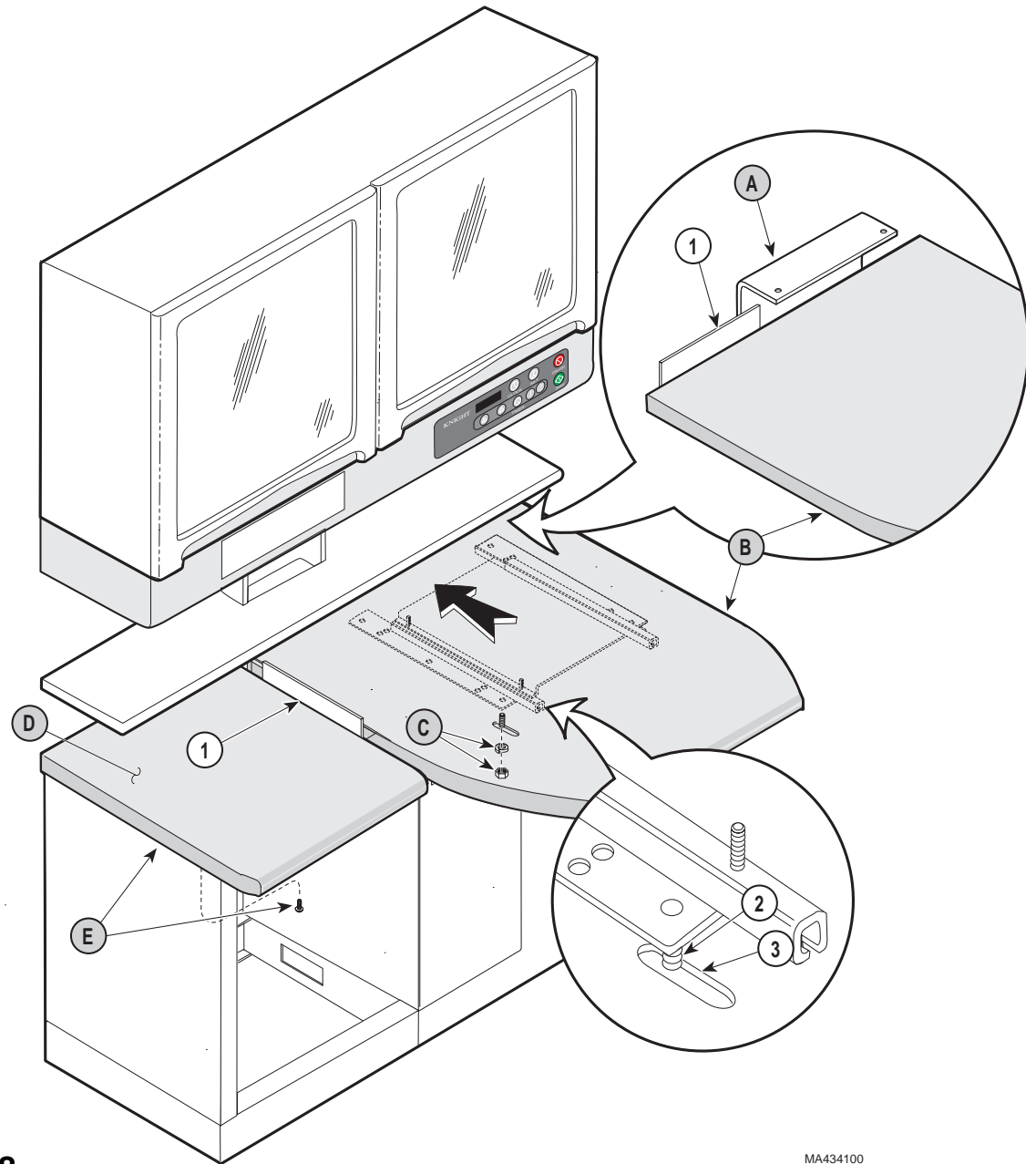
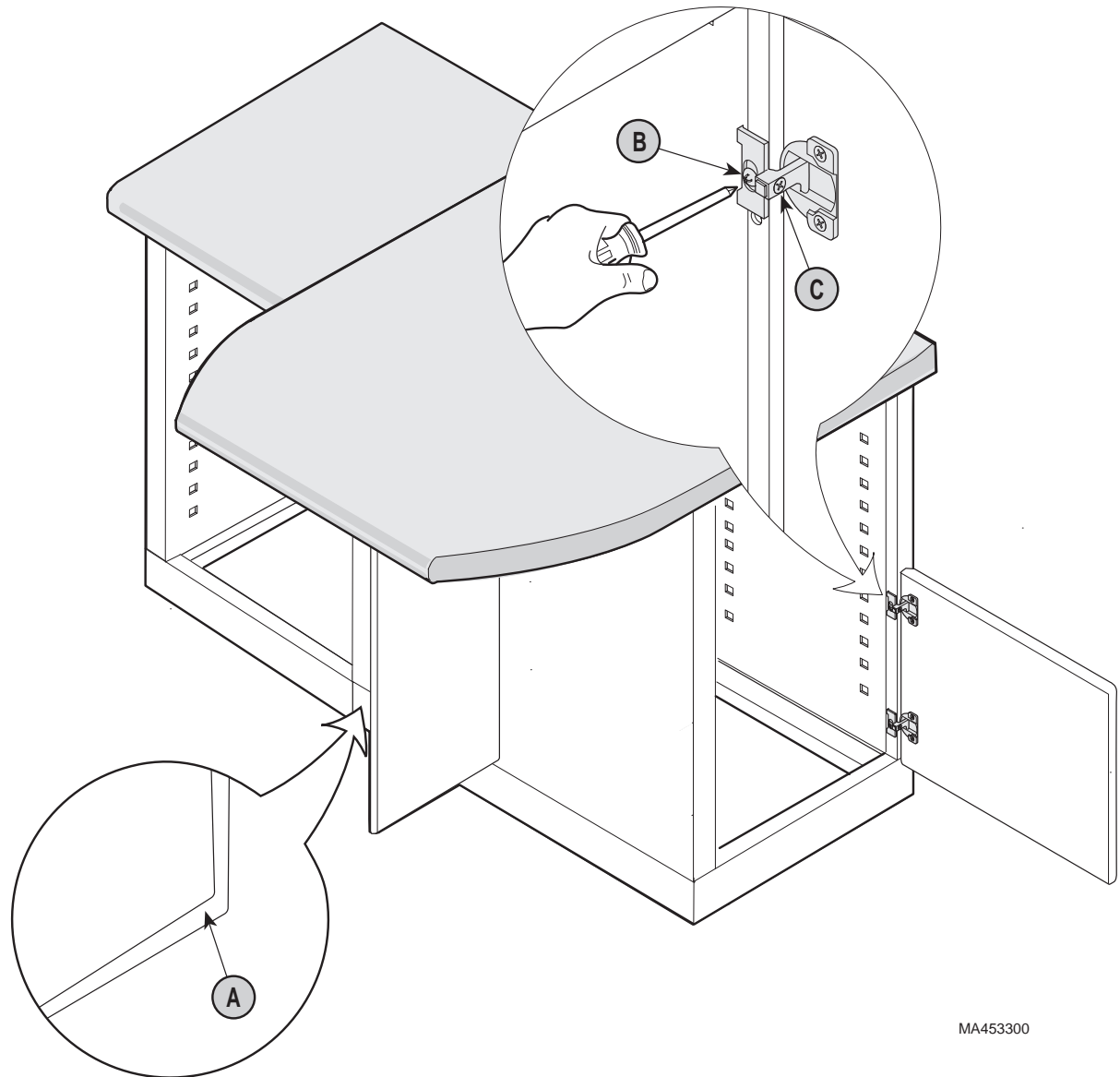


Figure 8

MA434100

BASE CABINET DOORS ADJUSTMENT

- A - Check to see if doors need adjusted vertically or horizontally.
- B - Adjust doors vertically (so doors are even with bottom of cabinet) by loosening screws (B) on both hinges of door. After adjusting, retighten screws.
- C - Adjust doors horizontally (so doors align properly with edge of cabinet) by loosening screws (C) on both hinges of door.



MA453300

Figure 9

ASSISTANT'S UNIT INSTALLATION

NOTE:

If installing a Knight Assistant's Unit, holes for following step are predrilled.

A - Attach assistant's unit to bottom of sliding countertop with wood screws (not supplied).

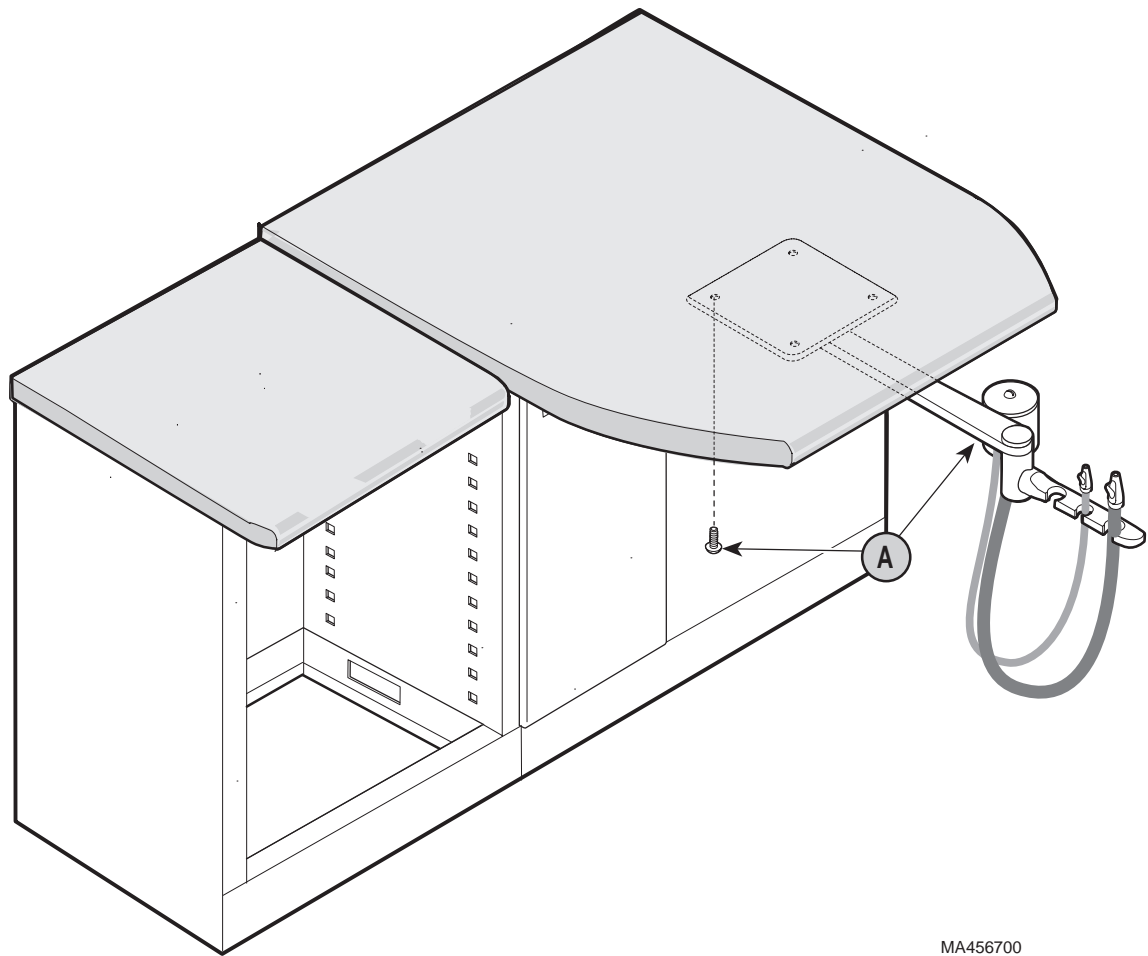
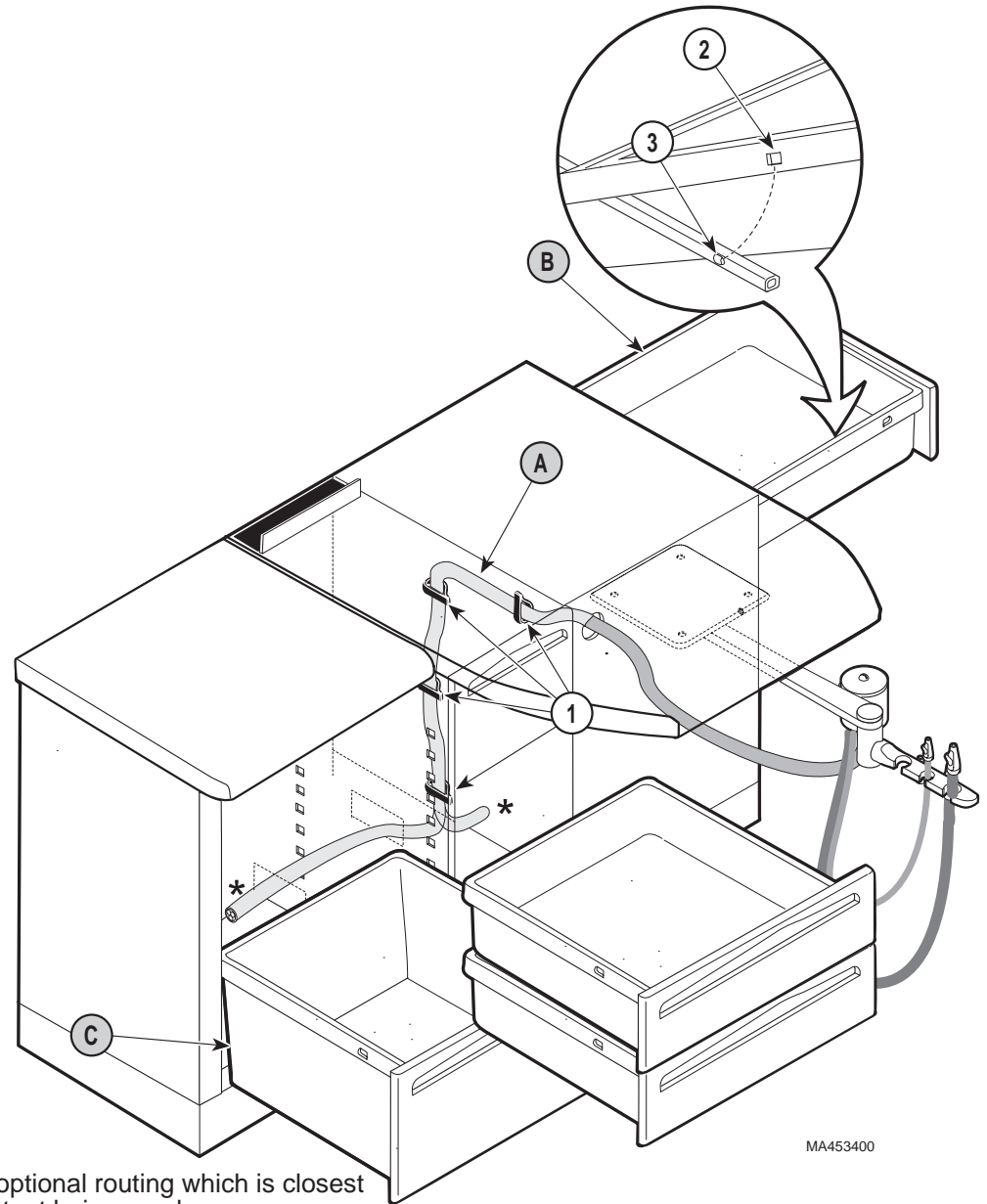


Figure 10

ASSISTANT'S UNIT HOSE / TUBING ROUTING

- A - Route assistant's vacuum hose through cabinet as shown. Secure hose in place with four clamps (1) (supplied).
- B - Reinstall two drawers in side of cabinet. To install a drawer, position drawer on drawer slides. Slide back of drawer into rear hooks on each slide and then snap drawer side slots (2) over slide locking tabs (3).
- C - Reinstall three drawers in front of cabinet. To install a drawer, position drawer on drawer slides. Slide back of drawer into rear hooks on each slide and then snap drawer side slots (2) over slide locking tabs (3).



* Use the optional routing which is closest to the cutout being used.

Figure 11

PLUMBING / ELECTRICAL CONNECTIONS

Have a licensed plumber make the following connections:

A - Assistant's Unit Connections - Connect the vacuum tube of assistant's unit to the vacuum supply tube.

Have a licensed electrician make the following connections:

B - Task Light Connections - comes standard with 9'0" (2.74 m) corded plug (if hard wire connection is desired, cut off plug and strip wires). Route wiring through electrical channel (1).

C - Outlets / Switches - Install any other outlets (i.e., for a computer, etc.), switches, or other desired electrical devices as desired.

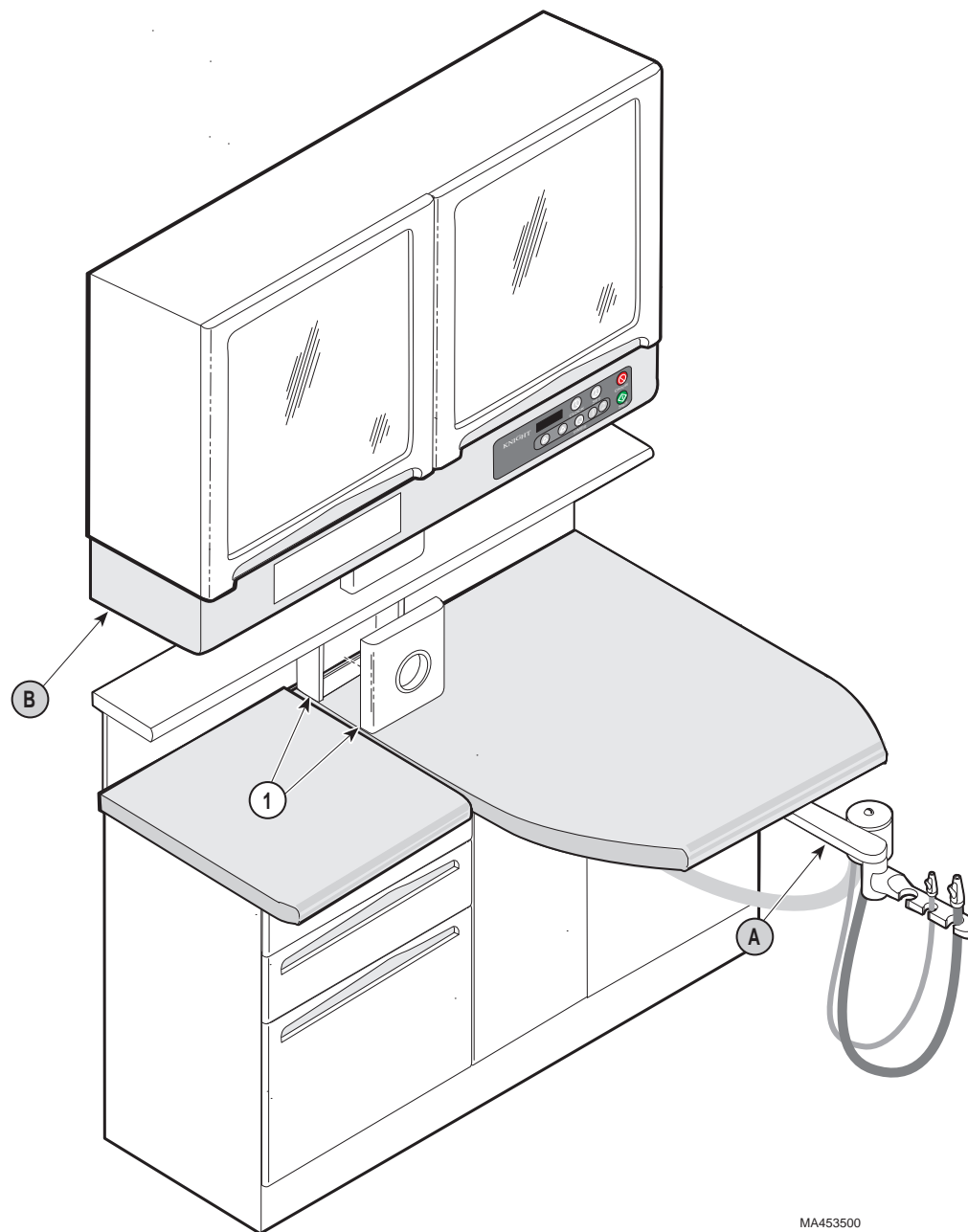
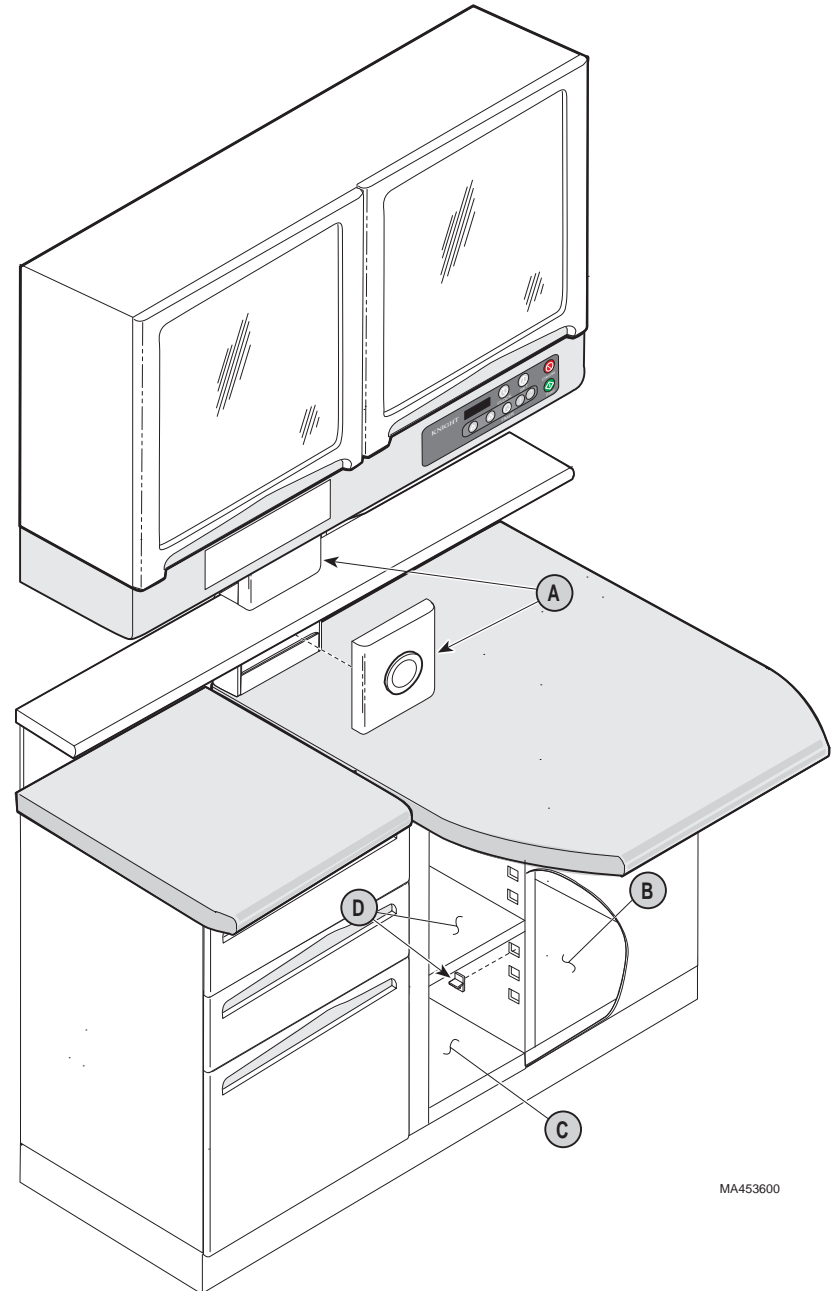


Figure 12

MA453500

COVERS INSTALLATION

- A - Install top electrical cover and bottom electrical cover on electrical channel by snapping them into place.
- B - Install bottom in end cabinet.
- C - Install bottom in center cabinet.
- D - If desired, install four clips and shelf at desired height.
- E - Wipe exterior of cabinets and overhead with a mild spray cleaner and broom clean all drawers and storage areas.



MA453600

Figure 13

KNIGHT DENTAL CASEWORK LIMITED WARRANTY

Extension of Warranty:

Midmark® Corporation ("Midmark") warrants to the original purchaser its Knight Dental Casework, manufactured by Midmark, to be free from defects in material and workmanship under normal interior use and service. Midmark's obligation under this warranty is limited to the repair or replacement, at Midmark's option, of the parts or the products the defects of which are reported to Midmark within the applicable warranty period and which upon examination by Midmark prove to be defective.

Applicable Warranty Period

The applicable warranty period, measured from the date of delivery to the original user, shall be as follows:

- (a) Five (5) years for all products and components (except for the shorter periods in (b and c)), including plastic laminate top surfaces, door and drawer fronts, castors, and electrical components such as task lights and cords.
- (b) Three (3) years for task light ballast.
- (c) One (1) year for plastic laminate top surfaces and accessories.

Exclusions

Midmark's warranty does not cover sinks, faucets, and plumbing accessories. Any warranties on these items are extended directly by the manufacturer of these items to the original purchaser. Information on these manufacturers' warranties will be enclosed with the applicable products. Also, Midmark will furnish copies of any of the warranties extended by any such manufacturers upon request.

This warranty does not cover and Midmark shall not be liable for: (1) repairs and replacements required because of misuse, abuse, negligence, alteration, accident, freight damage, or tampering; (2) matching of color, grain, or texture except to commercially acceptable standards; (3) changes in color caused by natural or artificial light; (4) products which are not installed, used, and properly cleaned as required in Midmark's written Installation Manual; (5) specially manufactured products; (6) products considered to be of a consumable nature such as light bulbs and surge suppression product; (7) accessories or parts not manufactured by Midmark; (8) charges by anyone (including Midmark's authorized Knight Dental Casework dealers) for adjustments, repairs, replacement parts, installation, or other work performed upon or in connection with such products which is not expressly authorized in writing in advance by Midmark.

Exclusive Remedy

Midmark's only obligation under this warranty is the repair or replacement of defective parts. Midmark shall not be liable for any direct, special, indirect, incidental, exemplary, or consequential damages or delay.

No Authorization

No person or firm is authorized to create for Midmark any other obligation or liability in connection with the products.

THIS WARRANTY IS MIDMARK'S ONLY WARRANTY AND IS IN LIEU OF ALL OTHER WARRANTIES, EXPRESS OR IMPLIED. MIDMARK MAKES NO IMPLIED WARRANTIES OF ANY KIND INCLUDING ANY WARRANTIES OF MERCHANTABILITY OR FITNESS FOR ANY PARTICULAR PURPOSE. THIS WARRANTY IS LIMITED TO THE REPAIR OR REPLACEMENT OF DEFECTIVE PARTS.

MIDMARK®

Midmark Corporation, Versailles, Ohio 45380 U.S.A.
937-526-3662 TELEX 288007 FAX 937-526-5542