

RECOMMENDED TOOLS

- Screwdriver with 5-7" shaft & phillips head (cordless optional)
- Screwdriver with 1-2" shaft & phillips head
- Level
- Tape measure
- Stud Finder
- Hammer drill w/ 1/4" bit for masonry anchor (for installations on masonry walls)

RECOMMENDED FASTENERS (NOT SUPPLIED - ONLY NEEDED TO INSTALL FREE STANDING SUPPORT KIT)

Stud Walls (Standard)

Use #12 x 2" long round head wood screws (course threaded). The screws must be driven into the wall studs or backing. It may be necessary to use washers to keep the head of the screws from pulling through the holes in the hanging bracket. (Use sheet metal screws for steel studded walls). In studded walls where backing is not provided, it will be necessary to use 3/16" short mollies, or other types of commercial expansion fasteners.

Hollow Tile or Masonry Walls

Use 1/4" machine screw expansion anchors of adequate length. A 3/16" short molly or other type of expansion fastener may be used if the installers predrill the hole.

Rough Solid Concrete or Brick Wall

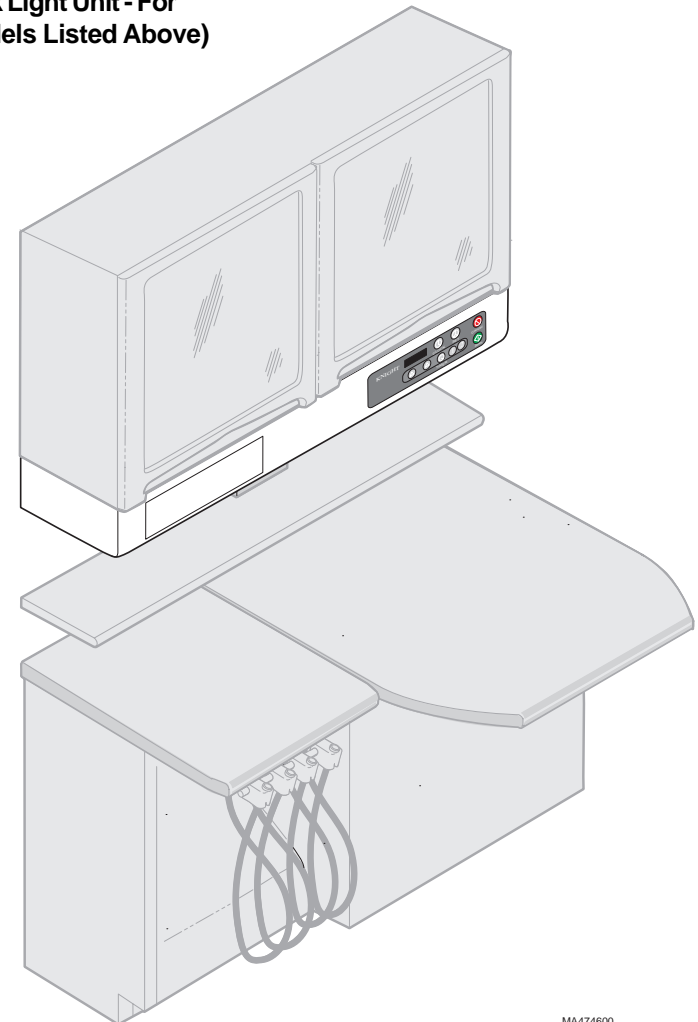
Use #12 round head wood screws or a specialized masonry fastener.

Installation Instructions For Models:

DM-ATR001 (Task Light / X-Ray Viewer / Clock, RH)

DM-ATL001 (Task Light / X-Ray Viewer / Clock, LH)

DM-ATS001 (Free Standing Support Kit for Task Light Unit - For Use With One of the Two Models Listed Above)



DM-ATL001 (Task Light / X-Ray Viewer / Clock, RH) (Shown)

SUGGESTED MOUNTING LOCATIONS (as applicable)

NOTE:

Please check local electrical codes. Knight cannot be held responsible for installations which do not conform to local codes.

A - The wall layouts (Figure 1) show the suggested task light mounting locations for the overhead mounted and free standing unit options.

B - Have a licensed electrical contractor position and install electrical outlet receptacles as necessary using layout (Figure 1).

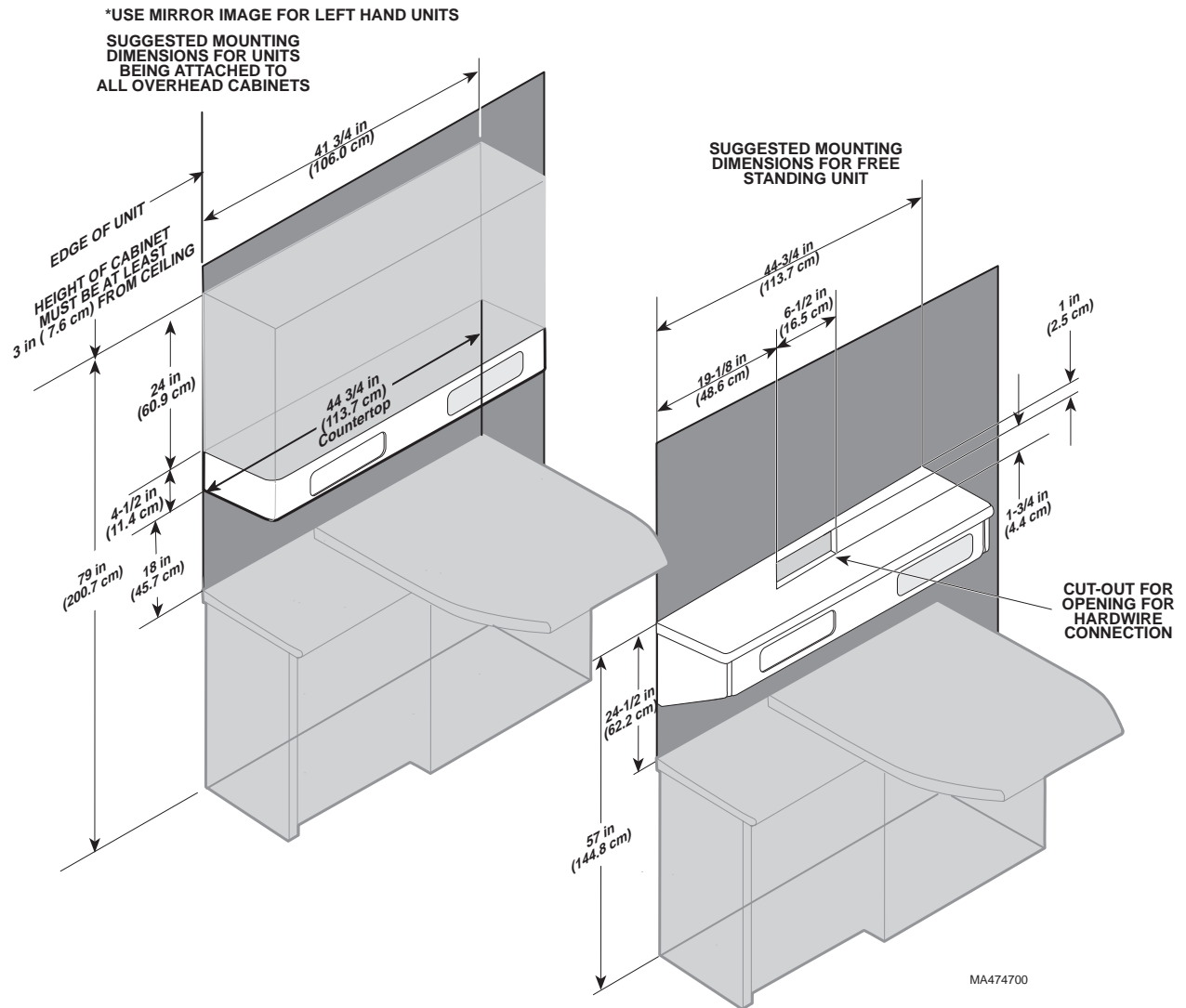
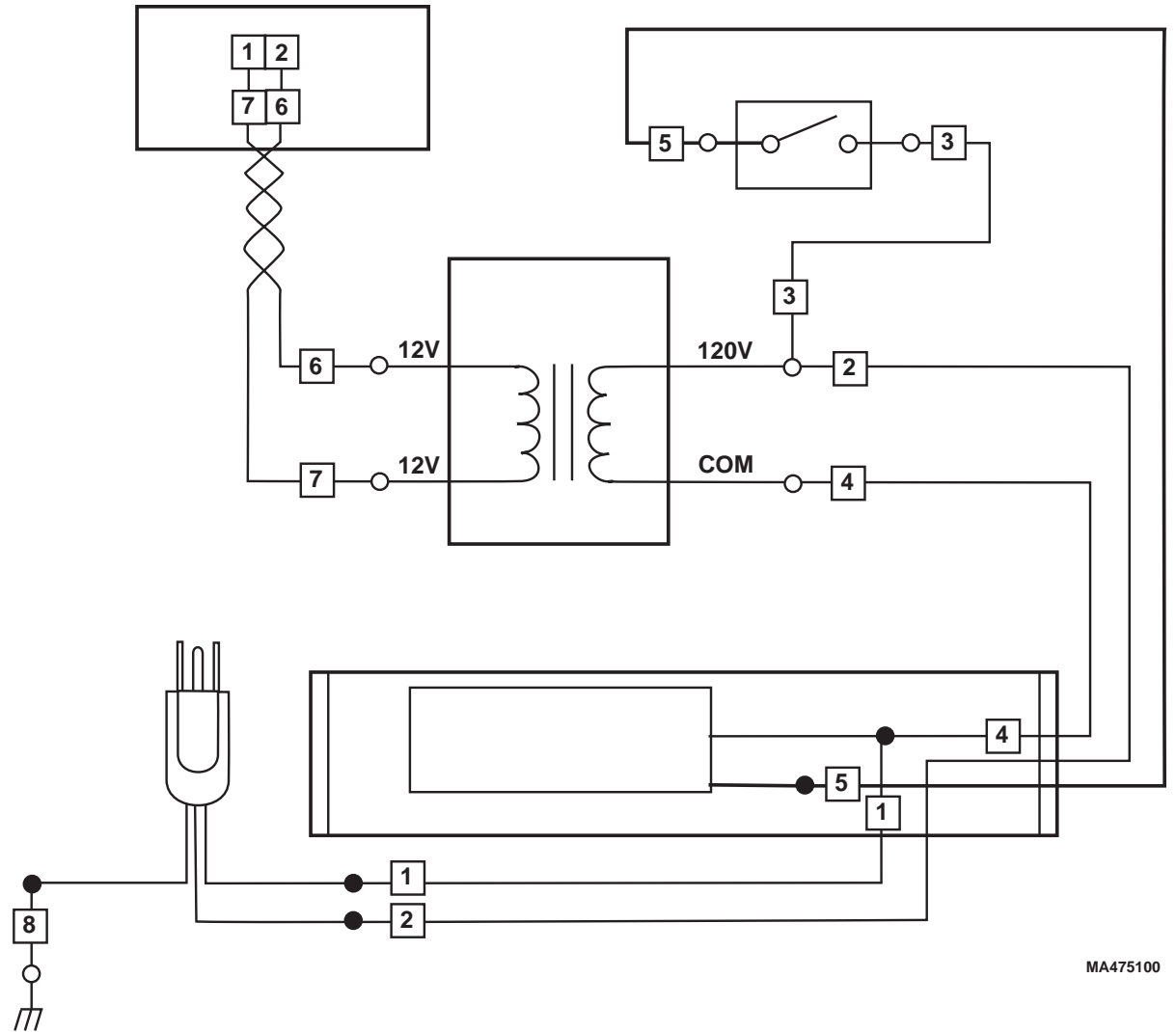


Figure 1

ELECTRICAL REQUIREMENTS / WIRING DIAGRAM)

A - The input power requirements for the task light is 120 VAC, 60 Hz, 0.7 amps, 84 watts.

B - The illustration shown on right is the wiring diagram for the task light.

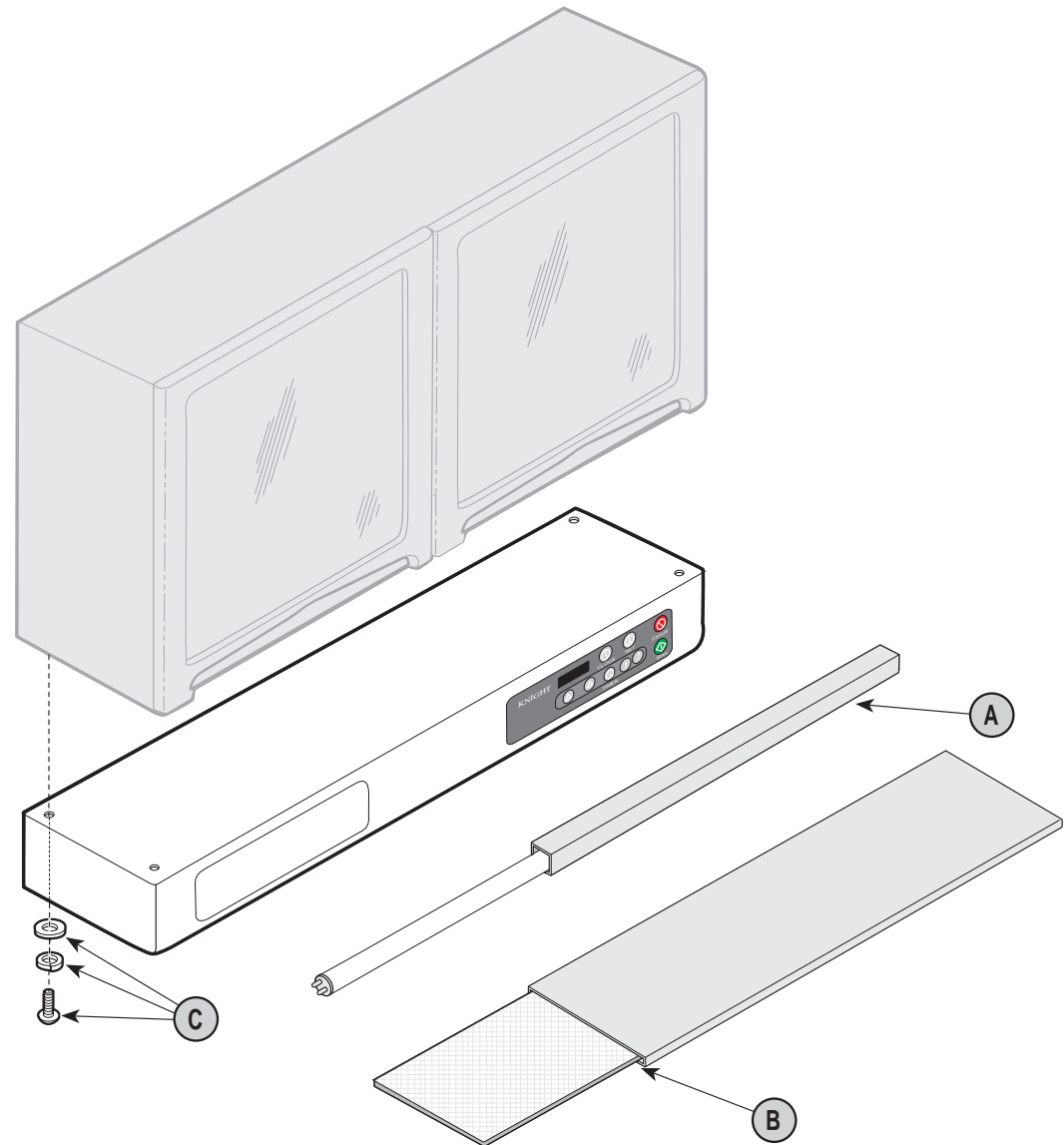


MA475100

Figure 2

TASK LIGHT INSTALLATION (applies to tasks light units being attached to overhead cabinets)

- A - Remove the fluorescent lamp from task light frame, remove packaging, and set aside.
- B - Remove diffuser panel from packaging and set aside.
- C - Attach the task light to the bottom of the overhead with four #10-24x5/8 screws, #10 lockwashers, and #10 flat washers (supplied).



MA474800

Figure 3

TASK LIGHT INSTALLATION (applies to free standing tasks light units)

A - Using a pencil, make a mark 57.0 in. (144.8 cm) from the finished floor or 24-1/2 in. (62.2 cm) from the countertop work surface. Using a level, extend a line as necessary.

CAUTION:

Make sure the light bracket assembly is secured to at least two studs to provide the necessary support. Failure to do so could cause it to break free when heavy items are stored on it.

B - Position the top of the light bracket assembly against the line and then secure to wall with hardware (not supplied).

C - Attach the task light to the bottom of the light bracket assembly with four #10-24x5/8 screws, #10 lockwashers, and #10 flat washers (supplied)

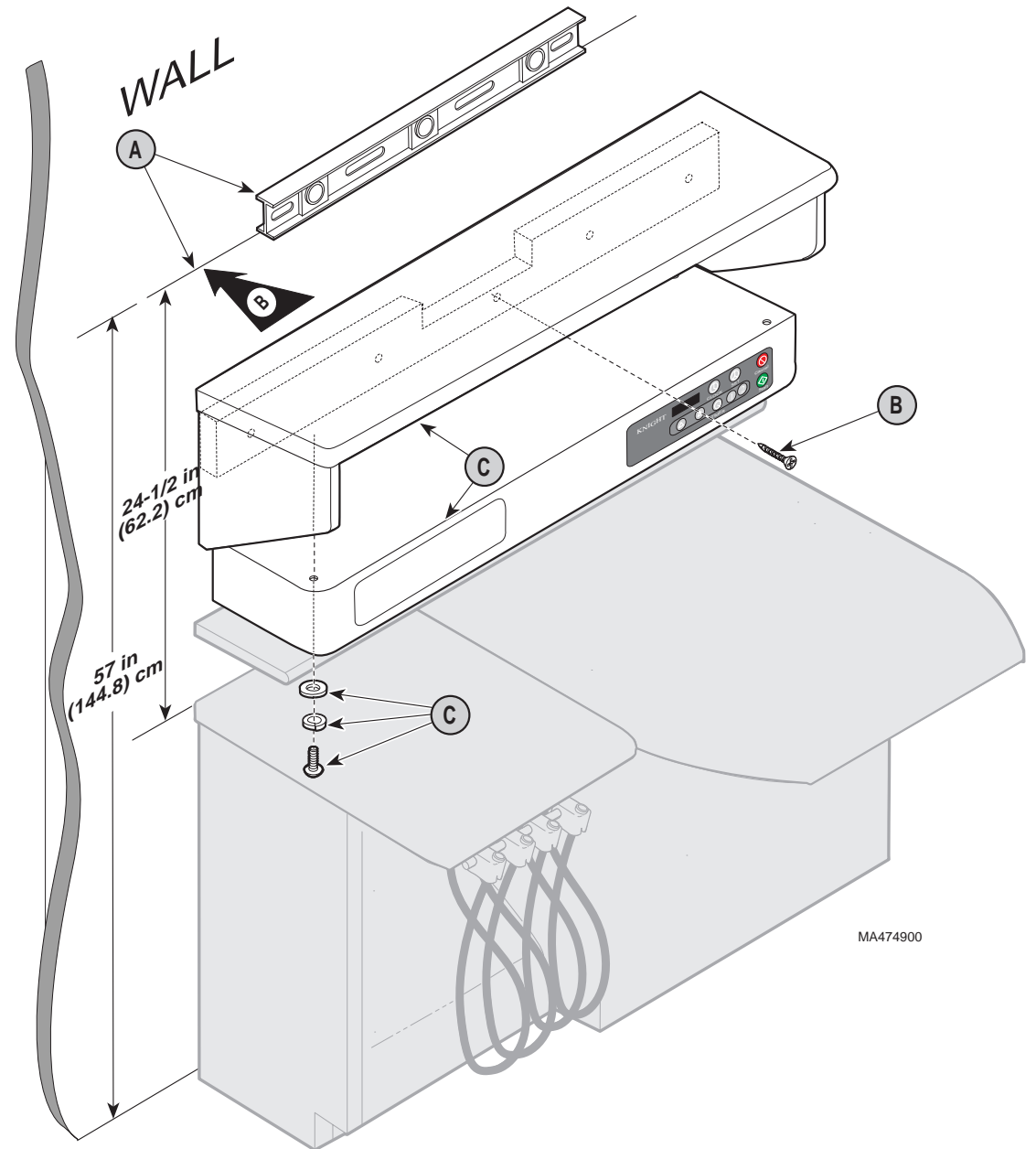


Figure 4

ELECTRIC CORD OPTIONS

A - The unit comes standard with a 6'0" (1.8 m) corded plug. If standard plug is to be used, simply plug power cord into designated electrical outlet. Route power cord through electrical channel if desired.

B - If it is desired to have the unit "hard wired", have a licensed electrical contractor perform the following steps according to *applicable local electrical codes*:

- (1) Remove two screws and electrical cover from task light frame.
- (2) Remove three wire nuts; then disconnect three task light wires from three power cord wires.
- (3) Remove power cord strain relief bushing from task light frame.
- (4) Route hard wiring to light through power cord hole using conduit or through back of unit by removing one of two knock-outs provided.
- (5) Connect three task light wires to three input power wires. Secure wires together using three wire nuts.
- (6) Re-install electrical cover on task light frame with two screws.

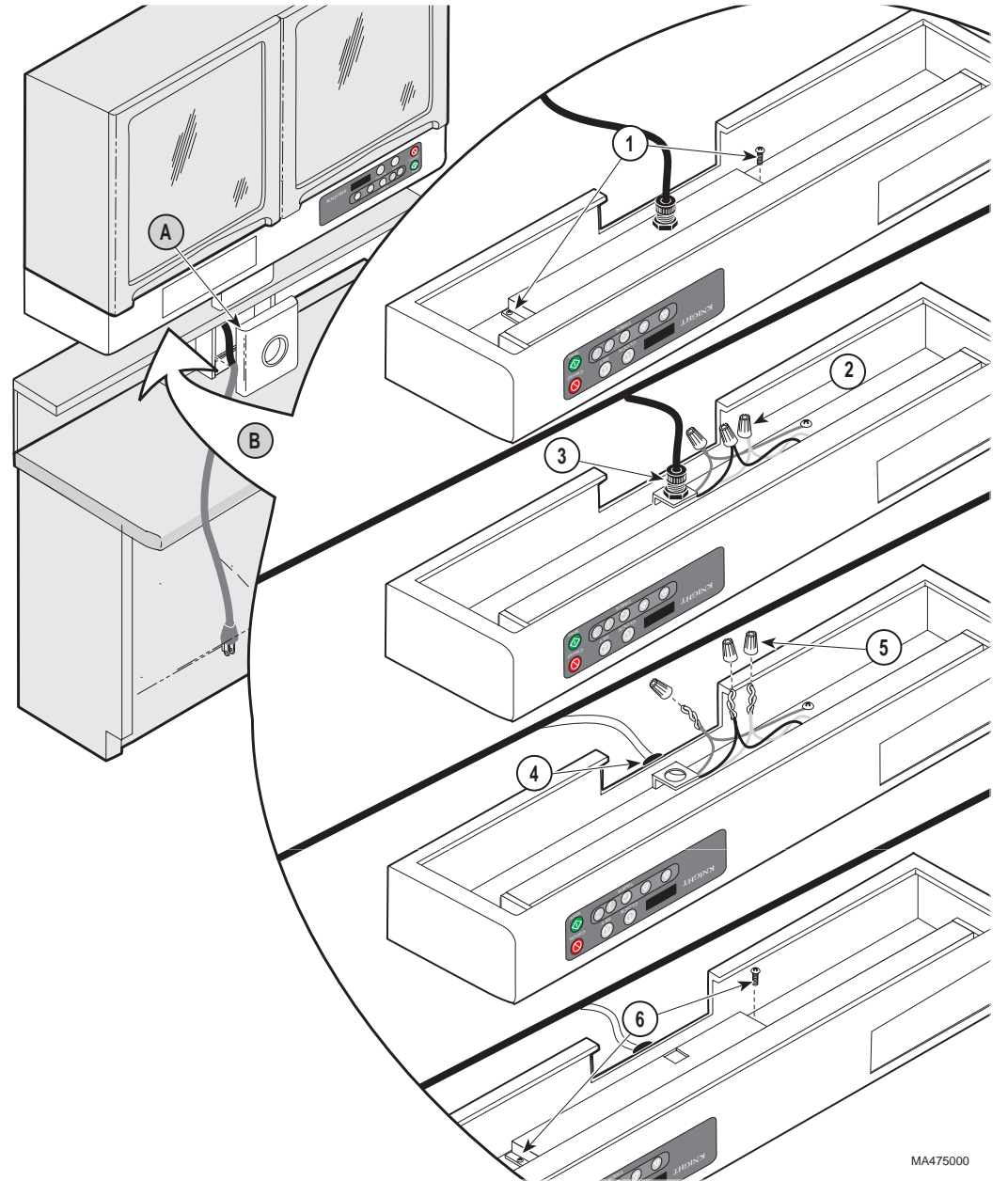


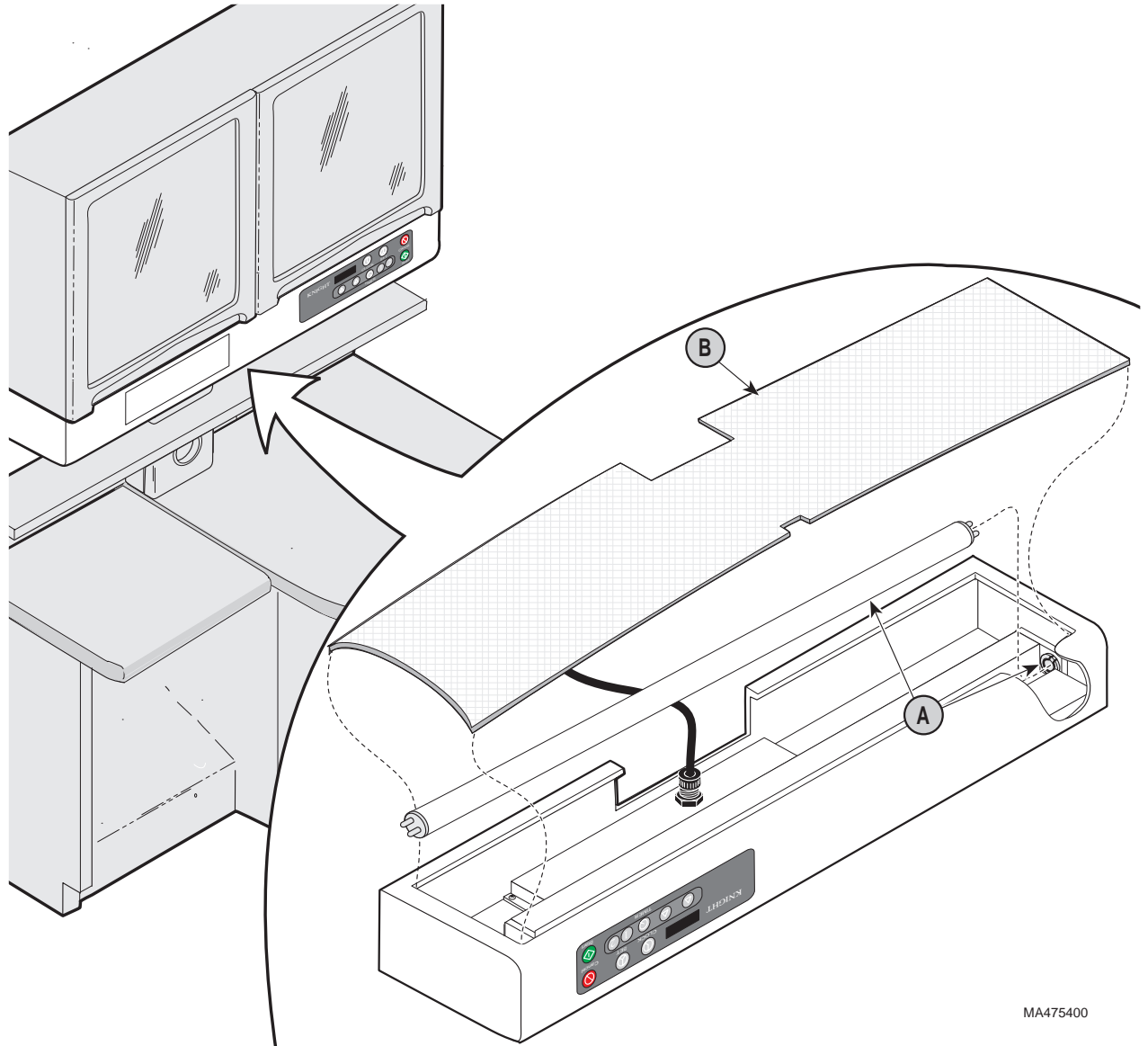
Figure 5

MA475000

FLUORESCENT LIGHT & DIFFUSER INSTALLATION

A - Install fluorescent lamp in light sockets.

B - Install diffuser panel by flexing diffuser panel and then inserting panel inside lip of frame



MA475400

Figure 6

KNIGHT DENTAL CASEWORK LIMITED WARRANTY

Extension of Warranty:

Midmark® Corporation ("Midmark") warrants to the original purchaser its Knight Dental Casework, manufactured by Midmark, to be free from defects in material and workmanship under normal interior use and service. Midmark's obligation under this warranty is limited to the repair or replacement, at Midmark's option, of the parts or the products the defects of which are reported to Midmark within the applicable warranty period and which upon examination by Midmark prove to be defective.

Applicable Warranty Period

The applicable warranty period, measured from the date of delivery to the original user, shall be as follows:

- (a) Five (5) years for all products and components (except for the shorter periods in (b and c)), including plastic laminate top surfaces, door and drawer fronts, castors, and electrical components such as task lights and cords.
- (b) Three (3) years for task light ballast.
- (c) One (1) year for plastic laminate top surfaces and accessories.

Exclusions

Midmark's warranty does not cover sinks, faucets, and plumbing accessories. Any warranties on these items are extended directly by the manufacturer of these items to the original purchaser. Information on these manufacturers' warranties will be enclosed with the applicable products. Also, Midmark will furnish copies of any of the warranties extended by any such manufacturers upon request.

This warranty does not cover and Midmark shall not be liable for: (1) repairs and replacements required because of misuse, abuse, negligence, alteration, accident, freight damage, or tampering; (2) matching of color, grain, or texture except to commercially acceptable standards; (3) changes in color caused by natural or artificial light; (4) products which are not installed, used, and properly cleaned as required in Midmark's written Installation Manual; (5) specially manufactured products; (6) products considered to be of a consumable nature such as light bulbs and surge suppression product; (7) accessories or parts not manufactured by Midmark; (8) charges by anyone (including Midmark's authorized Knight Dental Casework dealers) for adjustments, repairs, replacement parts, installation, or other work performed upon or in connection with such products which is not expressly authorized in writing in advance by Midmark.

Exclusive Remedy

Midmark's only obligation under this warranty is the repair or replacement of defective parts. Midmark shall not be liable for any direct, special, indirect, incidental, exemplary, or consequential damages or delay.

No Authorization

No person or firm is authorized to create for Midmark any other obligation or liability in connection with the products.

THIS WARRANTY IS MIDMARK'S ONLY WARRANTY AND IS IN LIEU OF ALL OTHER WARRANTIES, EXPRESS OR IMPLIED. MIDMARK MAKES NO IMPLIED WARRANTIES OF ANY KIND INCLUDING ANY WARRANTIES OF MERCHANTABILITY OR FITNESS FOR ANY PARTICULAR PURPOSE. THIS WARRANTY IS LIMITED TO THE REPAIR OR REPLACEMENT OF DEFECTIVE PARTS.

MIDMARK®

Midmark Corporation, Versailles, Ohio 45380 U.S.A.
937-526-3662 TELEX 288007 FAX 937-526-5542