

RECOMMENDED TOOLS

- Screwdriver with phillips head (cordless optional)
- Level
- Tape measure
- 1/4" socket (6 point) with ratchet
- Caulking gun
- Belt sander
- Stud Finder
- Hammer drill w/ 1/4" bit for masonry anchor (for installations on masonry walls)

RECOMMENDED FASTENERS

(Not Supplied)

Stud Walls (Standard)

Use #12 x 2" long round head wood screws (coarse threaded). The screws must be driven into the wall studs or backing. It may be necessary to use washers to keep the head of the screws from pulling through the holes in the hanging bracket. (Use sheet metal screws for steel studded walls). In studded walls where backing is not provided, it will be necessary to use 3/16" short mollies, or other types of commercial expansion fasteners.

Hollow Tile or Masonry Walls

Use 1/4" machine screw expansion anchors of adequate length. A 3/16" short molly or other type of expansion fastener may be used if the installers predrill the hole.

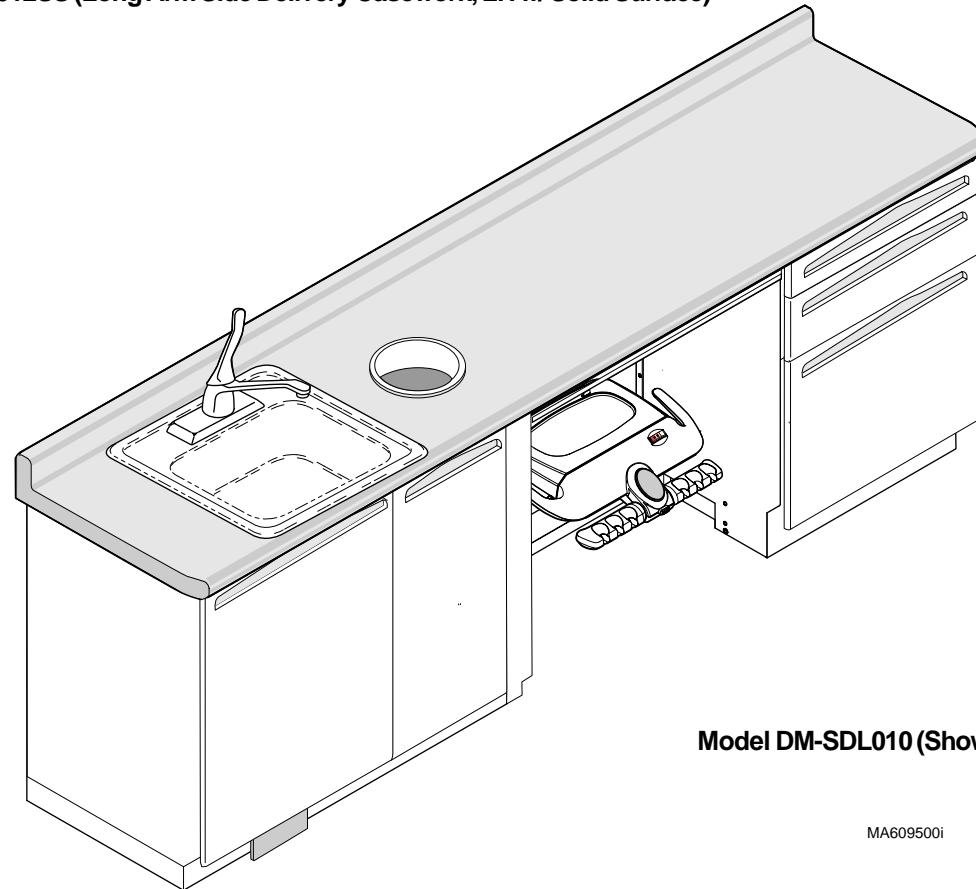
Rough Solid Concrete or Brick Wall

Use #12 round head wood screws or a specialized masonry fastener.

MODELS:

- DM-SDR010 (Long Arm Side Delivery Casework w/Sink & Storage, RH)
- DM-SDL010 (Long Arm Side Delivery Casework w/Sink & Storage, LH)
- DM-SDR011 (Long Arm Side Delivery Casework w/Sink, RH)
- DM-SDL011 (Long Arm Side Delivery Casework w/Sink, LH)
- DM-SDR012 (Long Arm Side Delivery Casework, RH)
- DM-SDL012 (Long Arm Side Delivery Casework, LH)
- DM-SDR010SS (Long Arm Side Delivery Casework w/Sink & Storage, RH w/ Solid Surface)
- DM-SDL010SS (Long Arm Side Delivery Casework w/Sink & Storage, LH w/ Solid Surface)
- DM-SDR011SS (Long Arm Side Delivery Casework w/Sink, RH w/ Solid Surface)
- DM-SDL011SS (Long Arm Side Delivery Casework w/Sink, LH w/ Solid Surface)
- DM-SDR012SS (Long Arm Side Delivery Casework, RH w/ Solid Surface)
- DM-SDL012SS (Long Arm Side Delivery Casework, LH w/ Solid Surface)

Installation Instructions



Model DM-SDL010 (Shown)

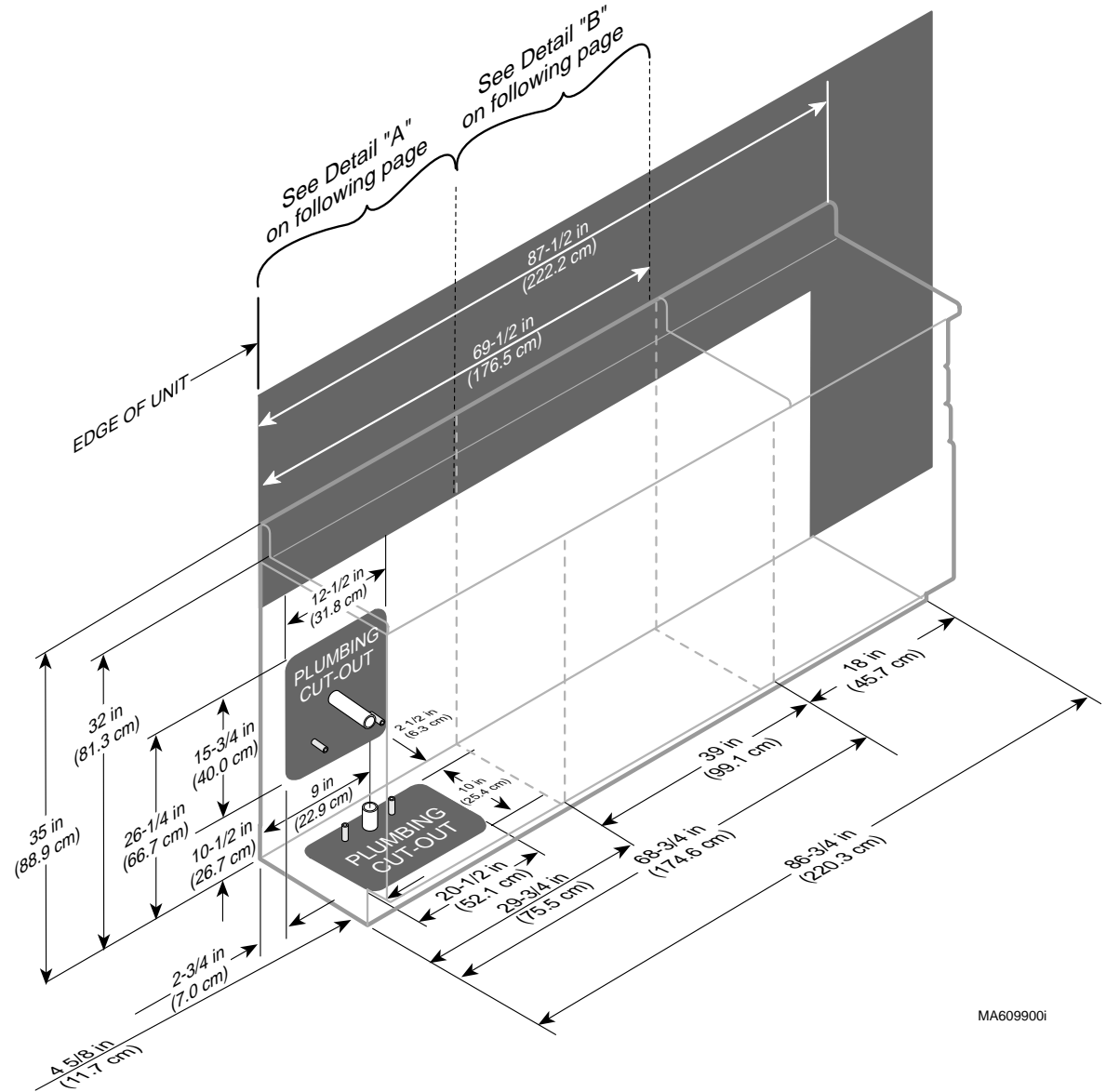
WALL LAYOUT PREPARATION

(as applicable)

NOTE

Please check local electrical and plumbing codes. Midmark is not responsible for installations which do not conform to local codes.

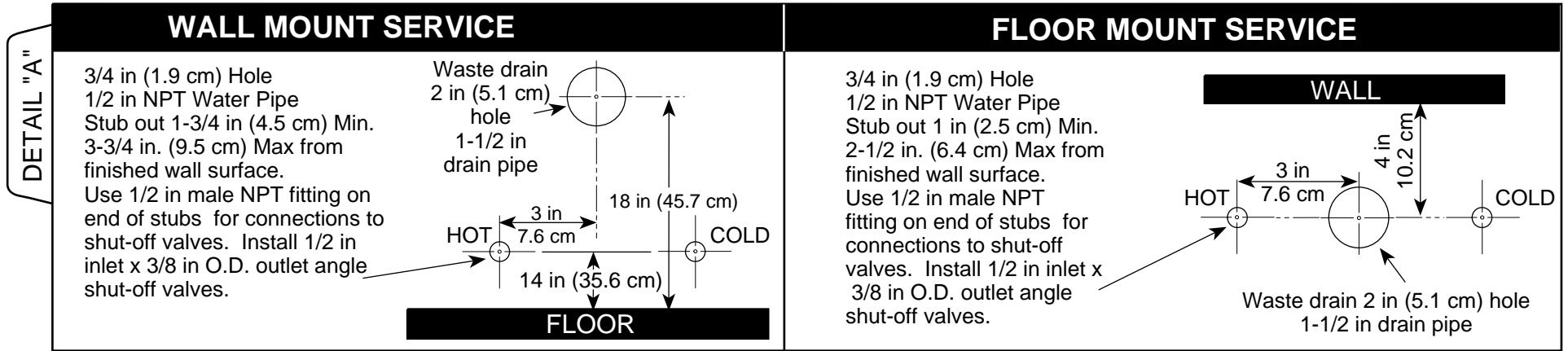
- A - The wall layout (Figure 1) shows a unit with sink and storage cabinet options. If the unit you are installing does not have a sink or storage option, disregard instructions and dimensional information for those options.
- B - Have a licensed electrical contractor position and install electrical outlet receptacles as necessary using layout (Figure 1).
- C - Have a licensed plumbing contractor position and install plumbing using layout (Figures 1 and 2).



MA6099001

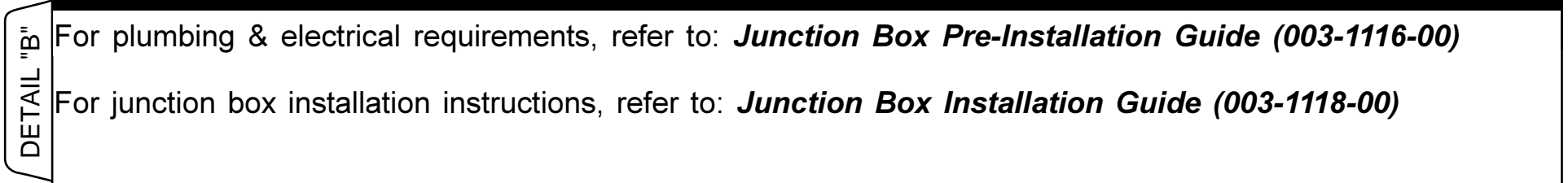
Figure 1

SINK SERVICE DETAILS



DELIVERY UNIT SERVICE DETAILS

INSTRUCTIONS PACKAGED WITH DELIVERY UNIT



MA610200i

CABINET INSTALLATION

NOTE:

This unit consists of two separate cabinets: a sink cabinet (1) and a storage cabinet (2). The sink cabinet and storage cabinet are optional.

- A - Remove bottom shelf from sink cabinet.
- B - Remove bottom shelf from storage cabinet.
- C - Using a 1/4" socket, adjust leveling screws on sink cabinet and storage cabinet to the fully lowered position.

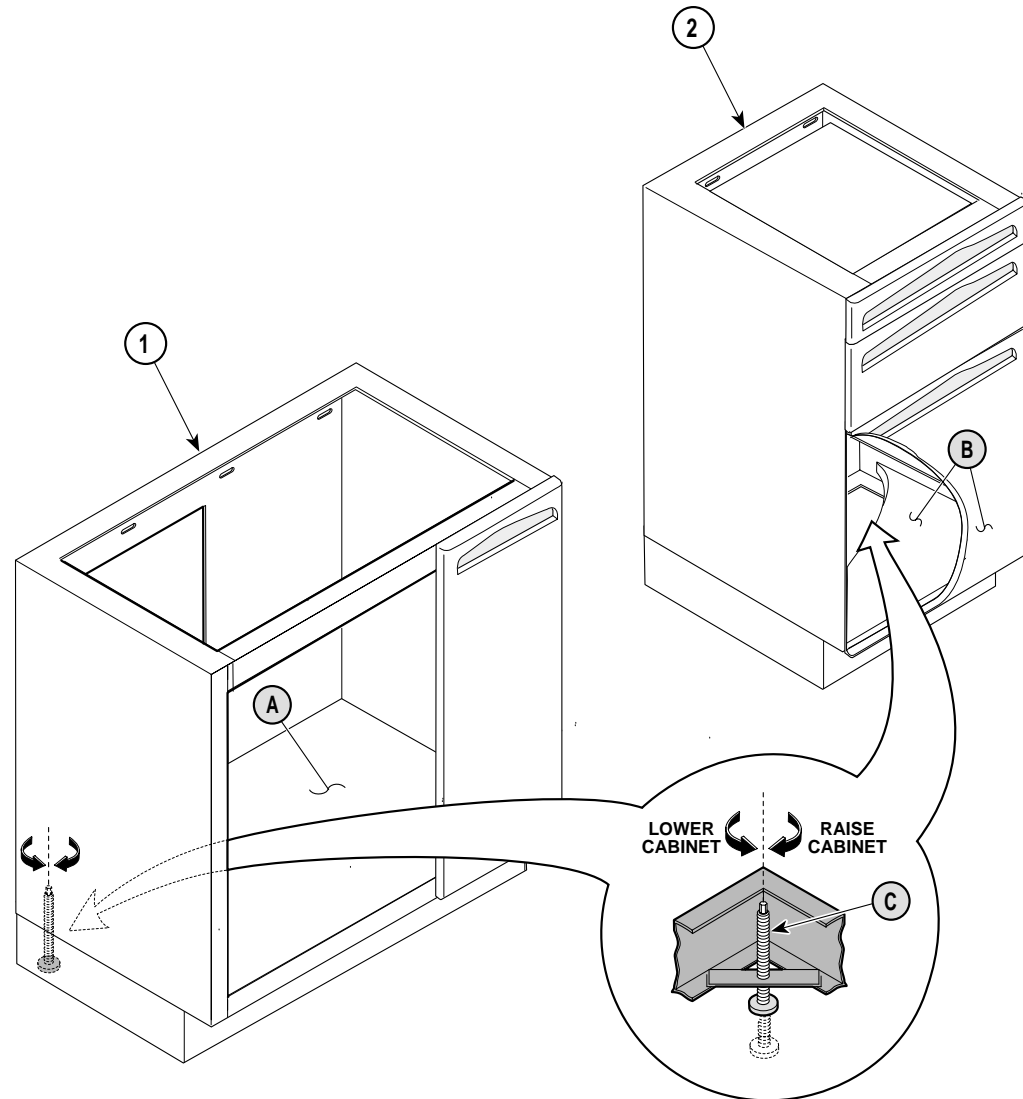


Figure 3

CABINET INSTALLATION

- Continued

NOTE

If unit being installed has a sink cabinet, position it first in the room.

A - Move cabinet into desired position.

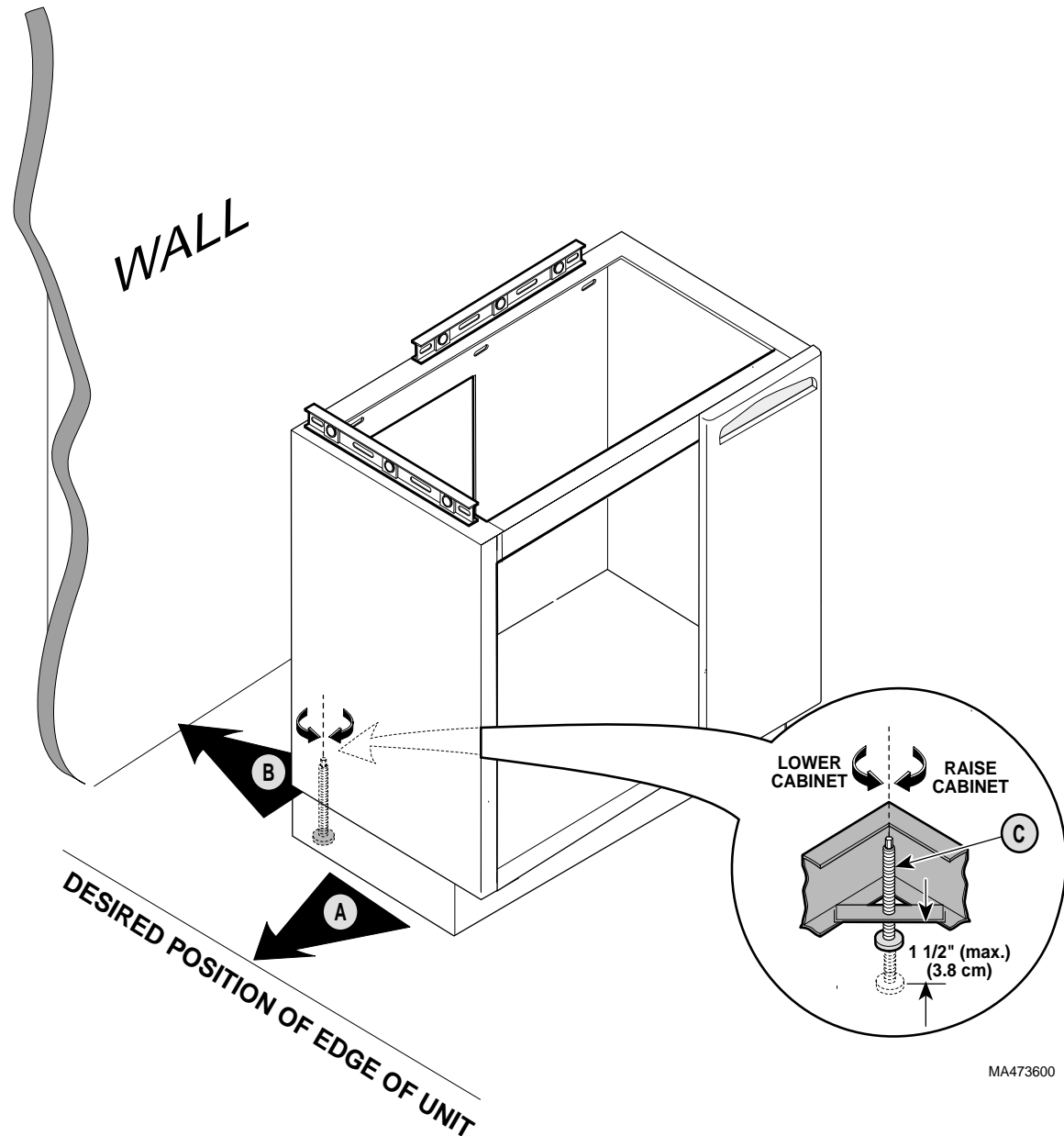
B - Move cabinet into position against wall.

NOTE

Adjust sink cabinet high enough so that the storage cabinet may be adjusted if the floor is unlevel.

C - Level cabinet by adjusting leveling screws

[To ensure stability, do not adjust leveling screws more than 1-1/2 in. (3.8 cm)].



MA473600

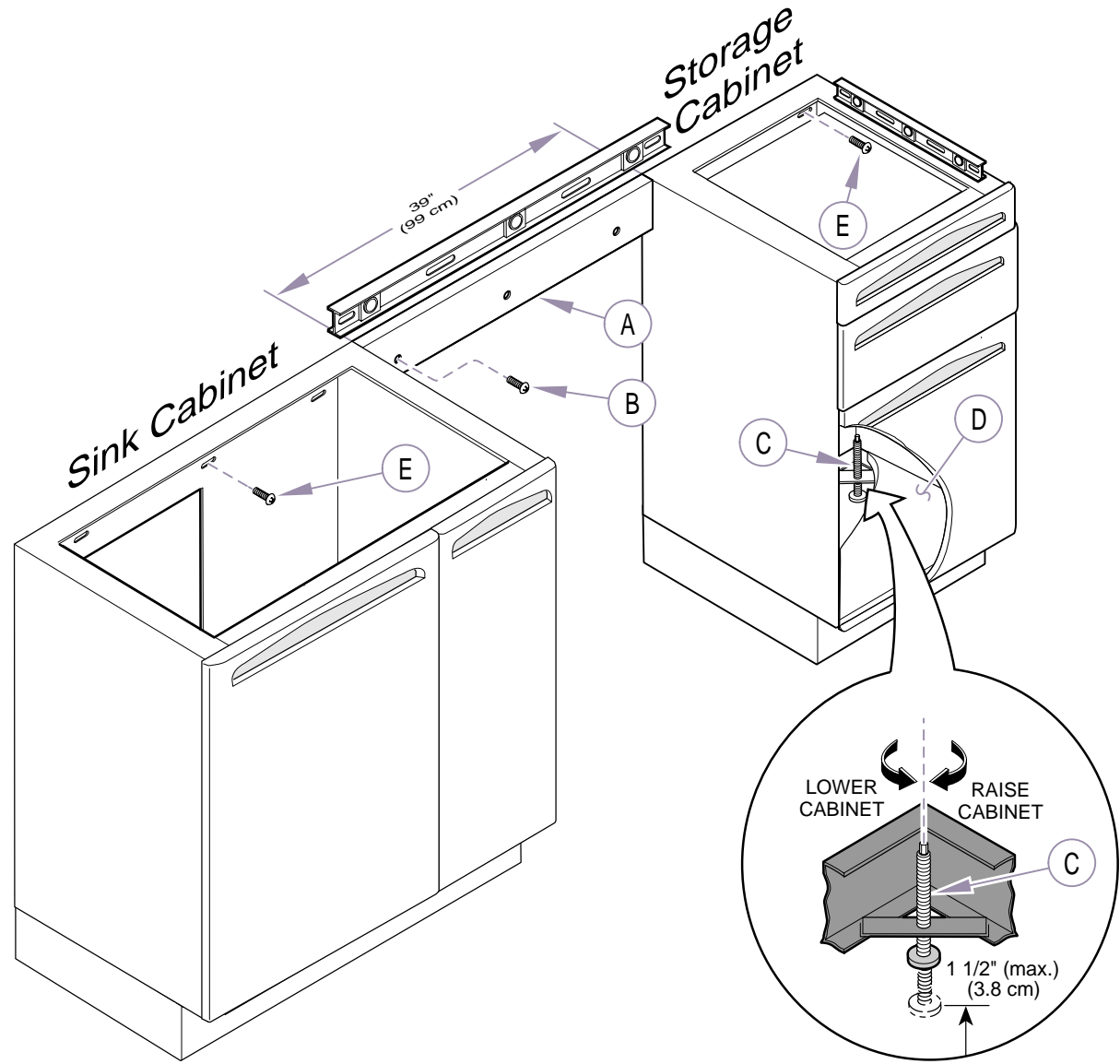
Figure 4

CABINET INSTALLATION

- Continued

(Applies to units with two cabinets)

- A - Position and level, countertop support brace between sink cabinet & storage cabinet.
[There should be 39 in. (99 cm) between cabinets].
- B - Attach countertop support brace to wall with appropriate fasteners (see cover page).
- C - Level storage cabinet. Align the top of storage cabinet with the top of the sink delivery cabinet & support brace by adjusting leveling screws.
[To ensure stability, do not adjust leveling screws more than 1-1/2 in. (3.8 cm)].
- D - Re-install bottom shelf in storage cabinet.
- E - Attach the sink & storage cabinets to the wall with appropriate fasteners (see cover page).



MA609600i

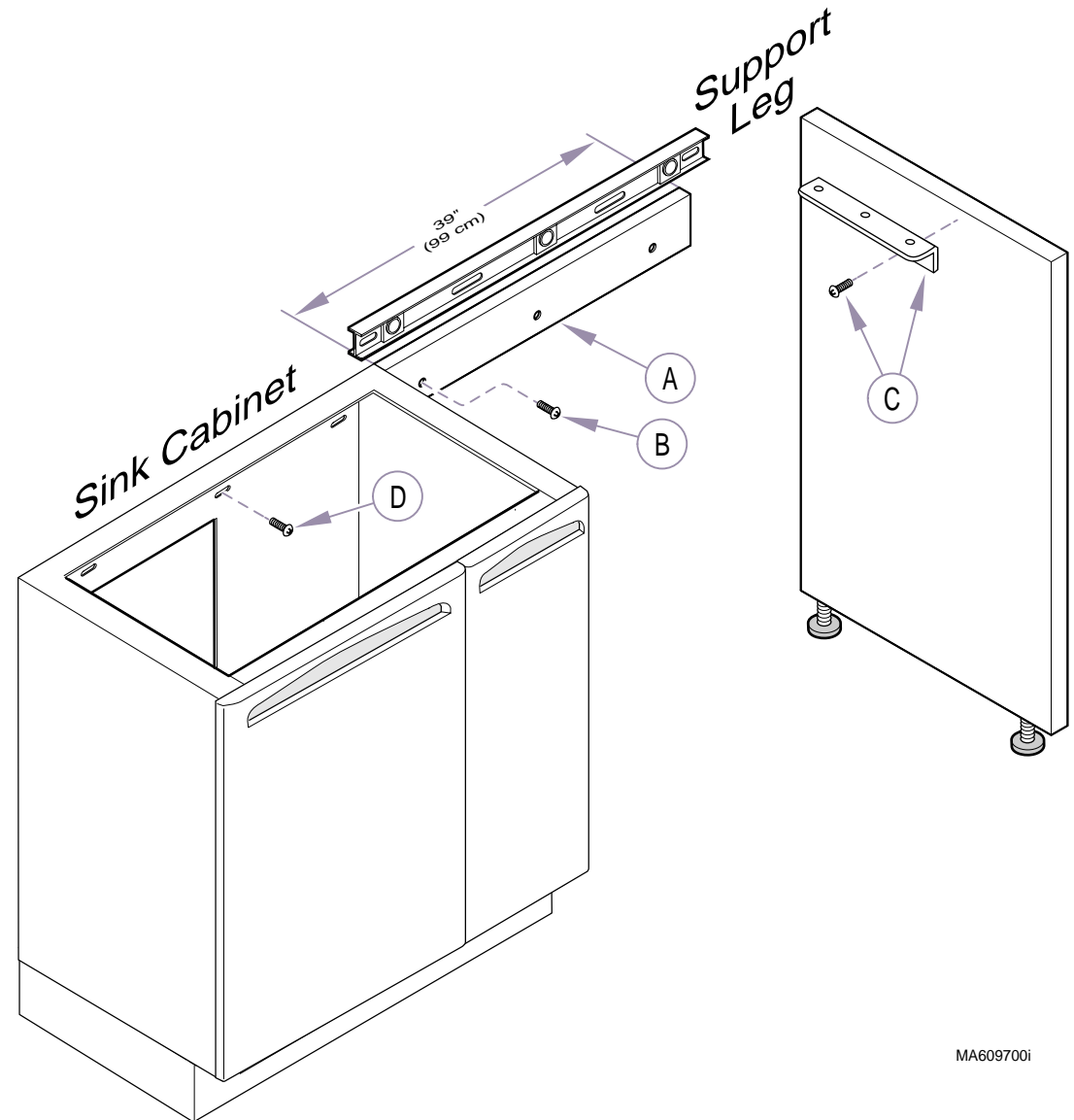
Figure 6

CABINET INSTALLATION

- Continued

(Applies to units with one cabinet)

- A - Position countertop support brace flush against sink cabinet. Level support brace with top of sink cabinet.
- B - Attach brace to wall with appropriate fasteners *(see cover page)*.
- C - Center leg bracket on support leg, aligning top of bracket with top of support leg. Attach leg bracket with two #10 x 5/8" particle board screws *(supplied)*.
- D - Attach sink cabinet to the wall with appropriate fasteners *(see cover page)*.



MA609700i

Figure 7



by MIDMARK®

LONG ARM DELIVERY UNIT INSTALLATION

If installing a **Midmark ProCenter Side Delivery Unit**, refer to: *Side Delivery Unit Installation Guide* (003-1292-00).

If delivery unit being installed is not a Midmark unit, refer to manufacturer's instructions for proper installation procedures.

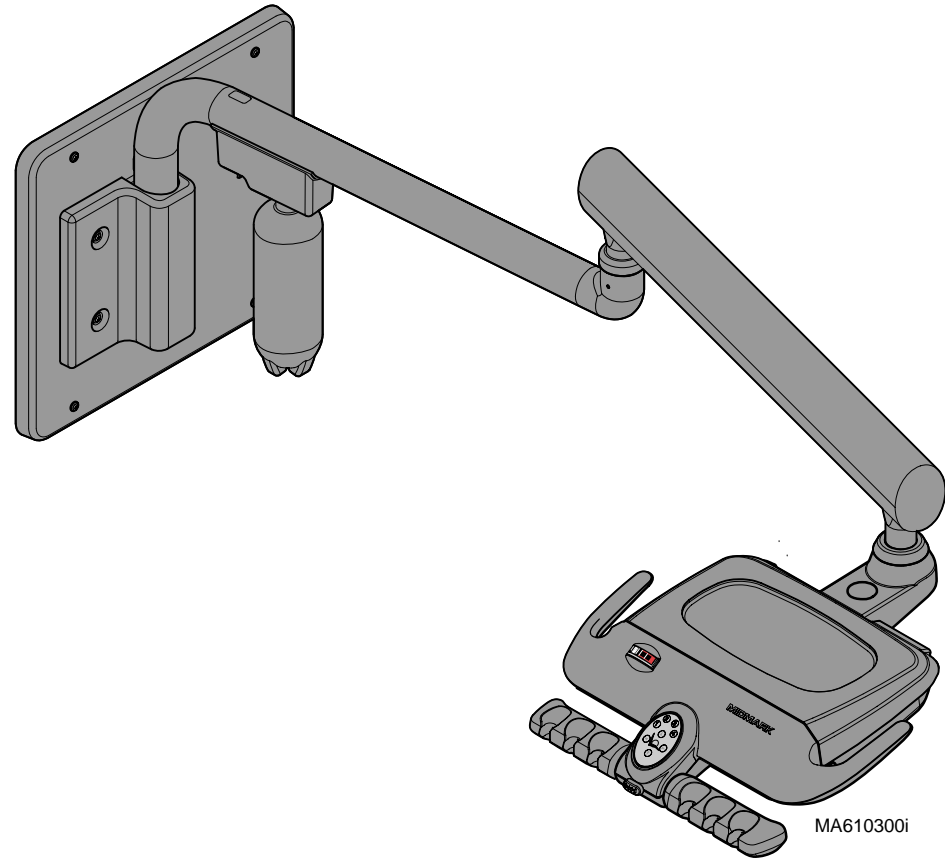


Figure 8

CABINET DOORS ADJUSTMENT

- A - Check vertical & horizontal alignment of cabinet doors.
- B - To adjust vertical alignment: loosen screws (B) on both hinges of door. After adjusting, retighten screws.
- C - To adjust horizontal alignment: loosen screws (C) on both hinges of door [ideal gap between doors is 1/16 in. (1.6 mm)]. After adjusting, retighten screws.

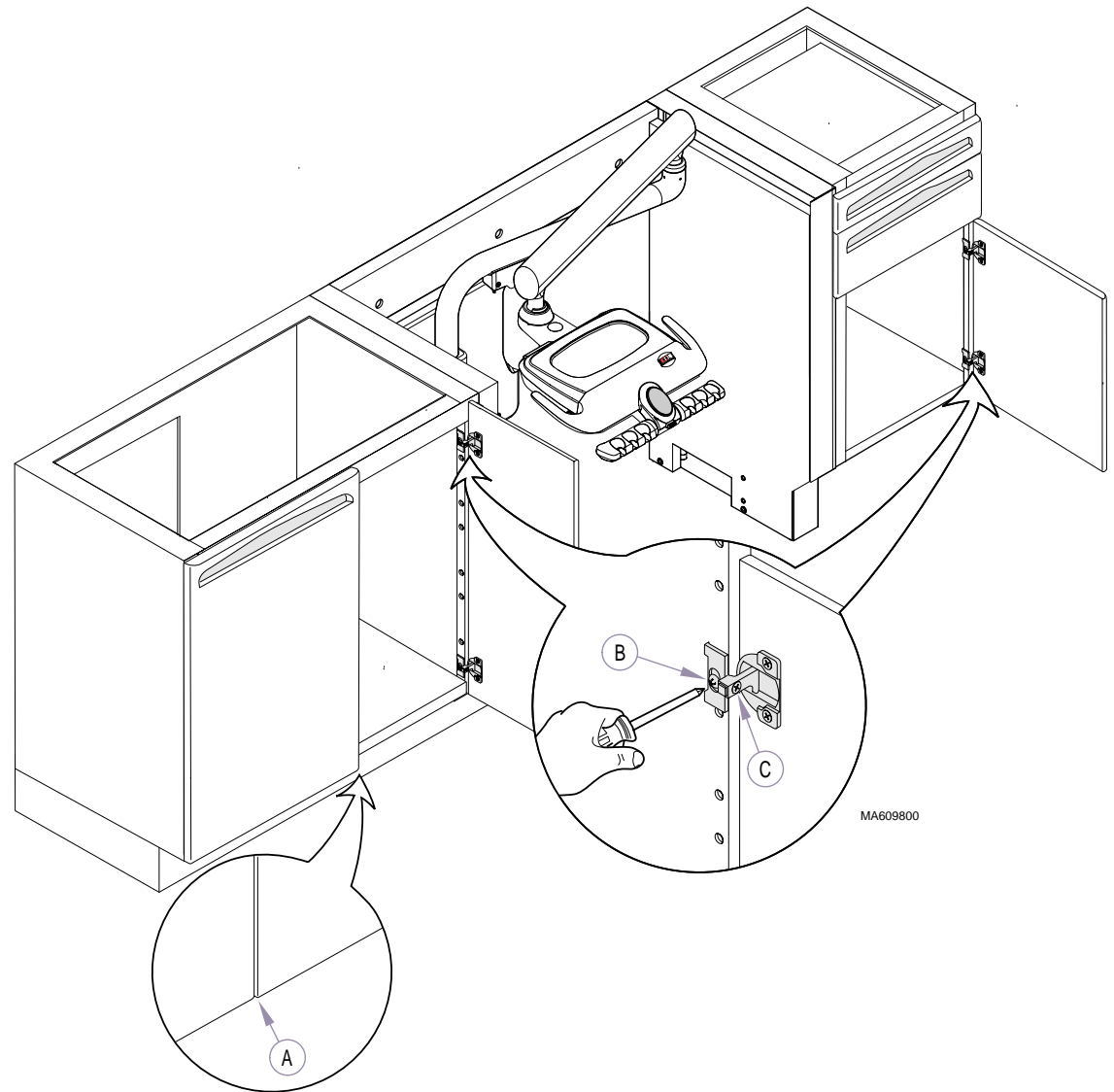


Figure 9

PLUMBING CONNECTIONS

Have a licensed plumber install the following parts:

- A - Stainless Steel Sink - Refer to the installation instructions included with the sink.
(This step does not apply to models w/Solid Surface countertop).
- B - Lever Handle Faucet - Refer to the installation instructions included with the faucet.
- C - Tapmaster™ Faucet Controller - Refer to the installation instructions included with the faucet controller.
- D - Re-install bottom shelf into sink cabinet.

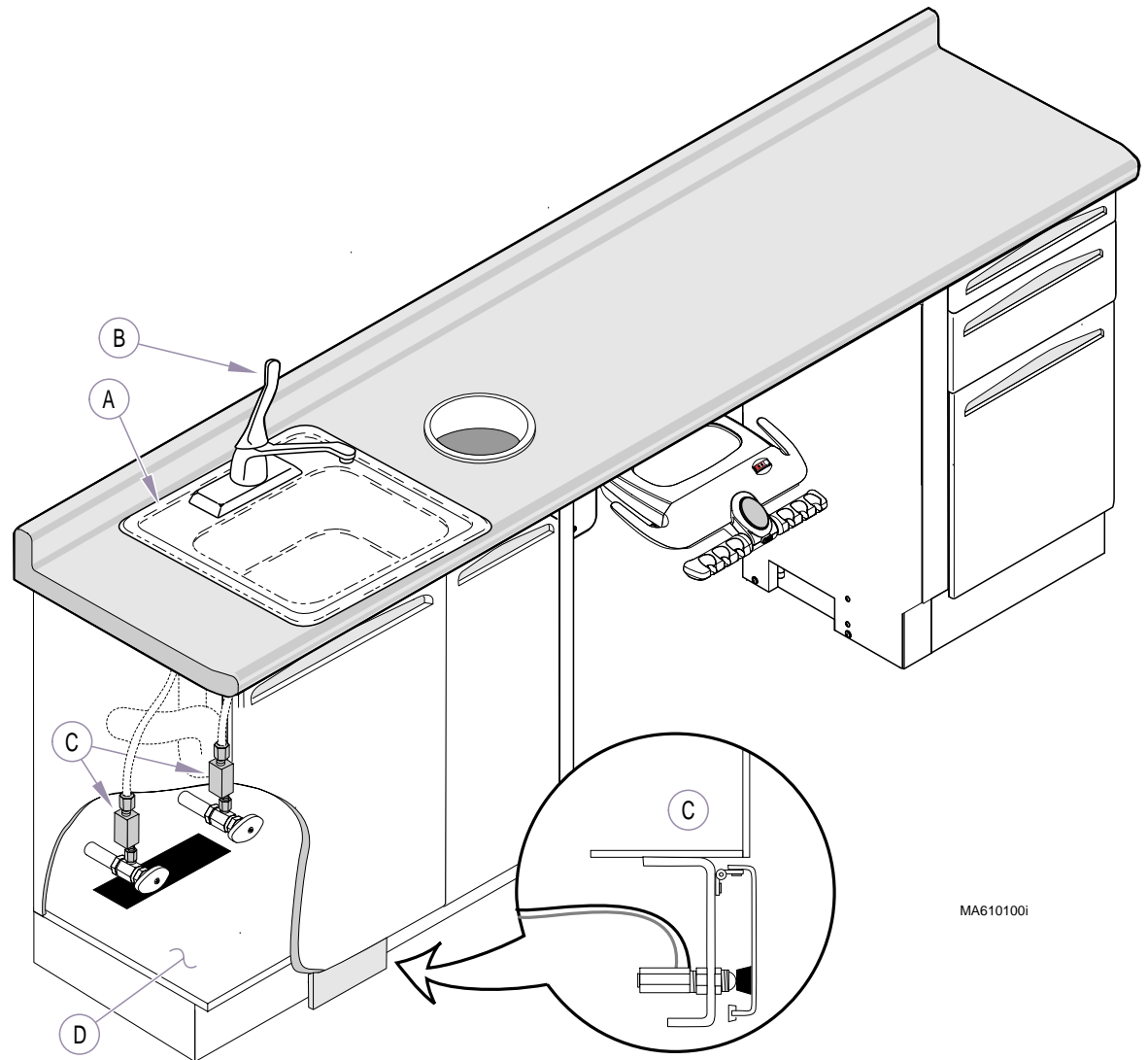


Figure 11

KNIGHT DENTAL CASEWORK LIMITED WARRANTY

Extension of Warranty:

Midmark® Corporation ("Midmark") warrants to the original purchaser its Knight Dental Casework, manufactured by Midmark, to be free from defects in material and workmanship under normal interior use and service. Midmark's obligation under this warranty is limited to the repair or replacement, at Midmark's option, of the parts or the products the defects of which are reported to Midmark within the applicable warranty period and which upon examination by Midmark prove to be defective.

Applicable Warranty Period

The applicable warranty period, measured from the date of delivery to the original user, shall be as follows:

- (a) Five (5) years for all products and components (except for the shorter periods in (b and c)), including plastic laminate top surfaces, door and drawer fronts, castors, and electrical components such as task lights and cords.
- (b) Three (3) years for task light ballast.
- (c) One (1) year for plastic laminate top surfaces and accessories.

Exclusions

Midmark's warranty does not cover sinks, faucets, and plumbing accessories. Any warranties on these items are extended directly by the manufacturer of these items to the original purchaser. Information on these manufacturers' warranties will be enclosed with the applicable products. Also, Midmark will furnish copies of any of the warranties extended by any such manufacturers upon request.

This warranty does not cover and Midmark shall not be liable for: (1) repairs and replacements required because of misuse, abuse, negligence, alteration, accident, freight damage, or tampering; (2) matching of color, grain, or texture except to commercially acceptable standards; (3) changes in color caused by natural or artificial light; (4) products which are not installed, used, and properly cleaned as required in Midmark's written Installation Manual; (5) specially manufactured products; (6) products considered to be of a consumable nature such as light bulbs and surge suppression product; (7) accessories or parts not manufactured by Midmark; (8) charges by anyone (including Midmark's authorized Knight Dental Casework dealers) for adjustments, repairs, replacement parts, installation, or other work performed upon or in connection with such products which is not expressly authorized in writing in advance by Midmark.

Exclusive Remedy

Midmark's only obligation under this warranty is the repair or replacement of defective parts. Midmark shall not be liable for any direct, special, indirect, incidental, exemplary, or consequential damages or delay.

No Authorization

No person or firm is authorized to create for Midmark any other obligation or liability in connection with the products.

THIS WARRANTY IS MIDMARK'S ONLY WARRANTY AND IS IN LIEU OF ALL OTHER WARRANTIES, EXPRESS OR IMPLIED. MIDMARK MAKES NO IMPLIED WARRANTIES OF ANY KIND INCLUDING ANY WARRANTIES OF MERCHANTABILITY OR FITNESS FOR ANY PARTICULAR PURPOSE. THIS WARRANTY IS LIMITED

MIDMARK®

Midmark Corporation, Versailles, Ohio 45380 U.S.A.
937-526-3662 TELEX 288007 FAX 937-526-5542