

Because we care.

**MIDMARK®**

# Installation / Operation

Model 4745-001 ECG Cart

## KIT COMPONENTS

<u>Part Number</u>	<u>Description</u>	<u>Qty</u>
4745-001	ECG (Electrocardiograph) Cart.....	1
003-1098-00	Installation / Operation Instructions .....	1

## REQUIRED TOOLS

None

## INTRODUCTION

To provide a mobile support surface for an electrocardiograph device or other device of comparable size and weight.

The cart has a five caster base with three swivel and two locking casters.

Maximum top weight capacity is 40 lbs. (18.1 Kgs.) centered on top.

Maximum drawer weight capacity 10 lbs. (4.5 Kgs.)

There are no accessories.

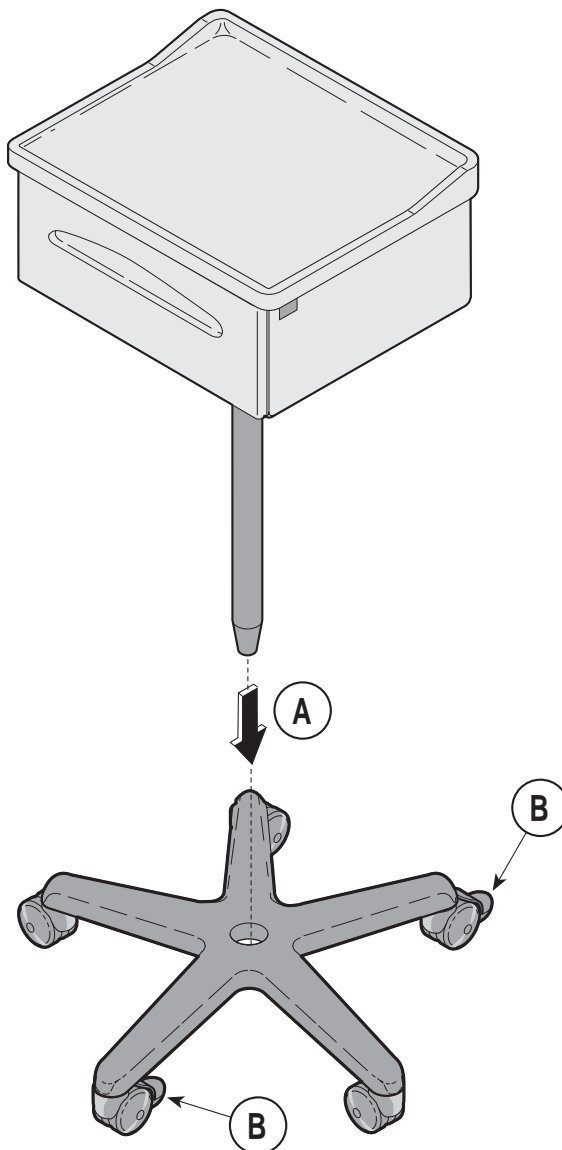
## CE REPRESENTATIVE



EEC countries should direct all questions, incidents, and complaints to Midmark authorized CE representative:

Promotal  
22, Rue De St. Dines  
53500 Ernie  
France  
Phone: 33-2-430-517-76  
Fax: 33-2-430-569-10

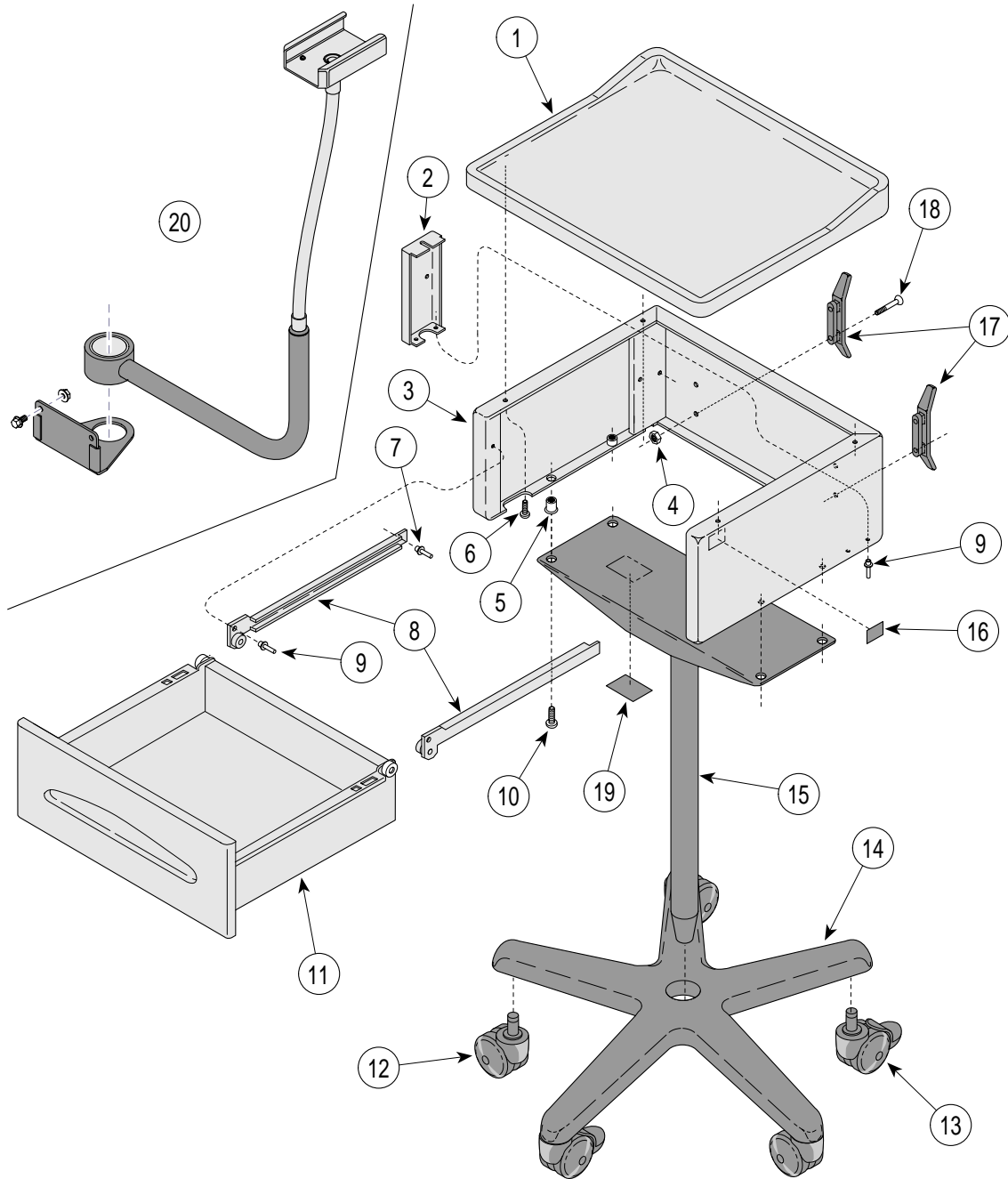
## INSTALLATION



MA563400

- A.** Insert pedestal into caster base, pressing firmly downward.
- B.** Release two locking casters and check operation.

# PARTS



MA562401

Item	Part No.	Description	Qty.	Item	Part No.	Description	Qty.
	4745-001	ECG Cart (Includes Items 1 thru 19).....	1	11	• 029-2534-00	• Drawer Assembly .....	1
1	• 063-9939-00	• ECG Cart Top .....	1	12	• 016-0884-00	• Caster .....	3
2	• 050-4795-50	• Slide Support.....	2	13	• 016-0883-00	• Locking Caster .....	2
3	• 050-4889-50	• Cart Drawer Cover.....	1	14	• 016-0681-00	• Base .....	1
4	• 041-0008-02	• Nylock Nut .....	4	15	• 030-1278-00	• Post Weldment .....	1
5	• 042-0045-06	• Nutsert.....	4	16	• 061-0759-02	• Midmark Label.....	1
6	• 040-0010-48	• Particle Board Screw .....	4	17	• 016-0864-00	• Plastic Rope Cleat.....	2
7	• 042-0010-27	• Countersunk Head Pop Rivet .....	2	18	• 040-0008-100	• Screw .....	4
8	• 016-0813-04	• Drawer Slide / Runner Set .....	1	19	•	• Serial Number Label .....	1
9	• 042-0010-04	• Pop Rivet .....	6	20	9A283001	IQMark Flexible Rotating Mount Holder (Optional Accessory) .....	1
10	• 040-0250-88	• Screw.....	4				

**MIDMARK®**

003-1098-00 Rev. C (12/00)

Midmark Corporation, Versailles, Ohio 45380 U.S.A.  
(937) 526-3662 FAX (937) 526-5542