

OBSOLETE (some parts may not be available) 9A145001 Paper Roll Holder

KIT COMPONENTS

| Part Number | Description | Qty. |
|---------------|---------------------------------------|------|
| 9A145001 | Paper Roll Holder | 1 |
| • 055-0005-06 | Dowel Rod (3/4" o.d. x 22 7/8" L.) .. | 1 |
| • 050-4690-X0 | Bracket, Paper Roll Holder | 1 |
| • 040-0008-46 | Screw, Brkt. Mtg. (#8 x 3/4") | 4 |
| • 029-0452-02 | Paper Tear Strip | 2 |
| • 003-1101-00 | Installation Instructions | 1 |

REQUIRED TOOLS

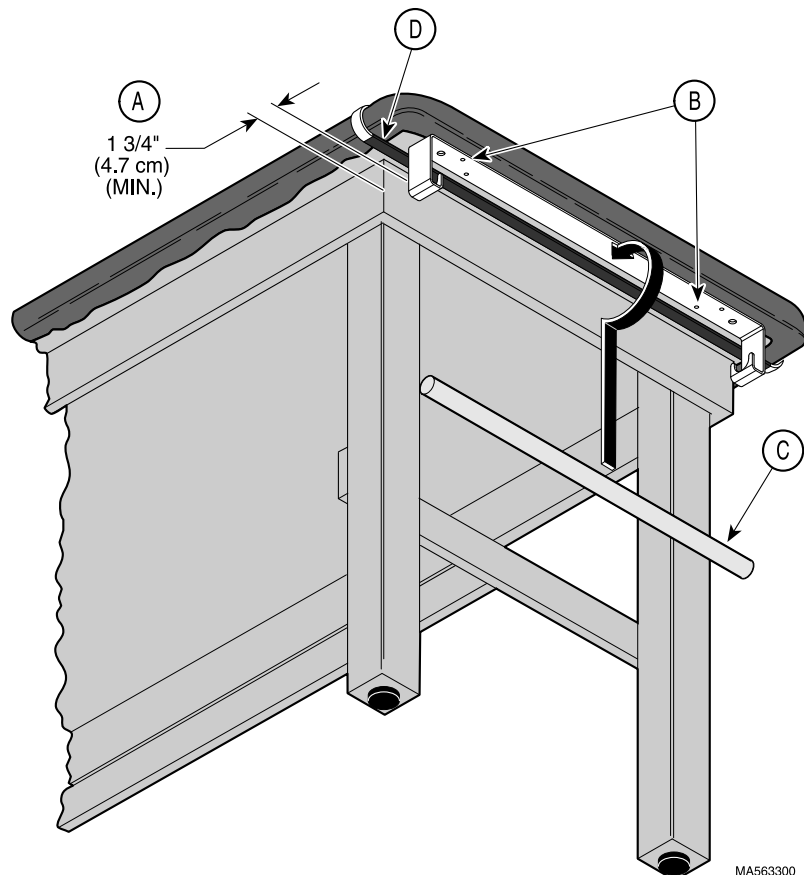
Phillips Screwdriver
Measuring Tape

GENERAL INFORMATION

Provides a means to mount a paper roll to a Model 95 Exam Table.

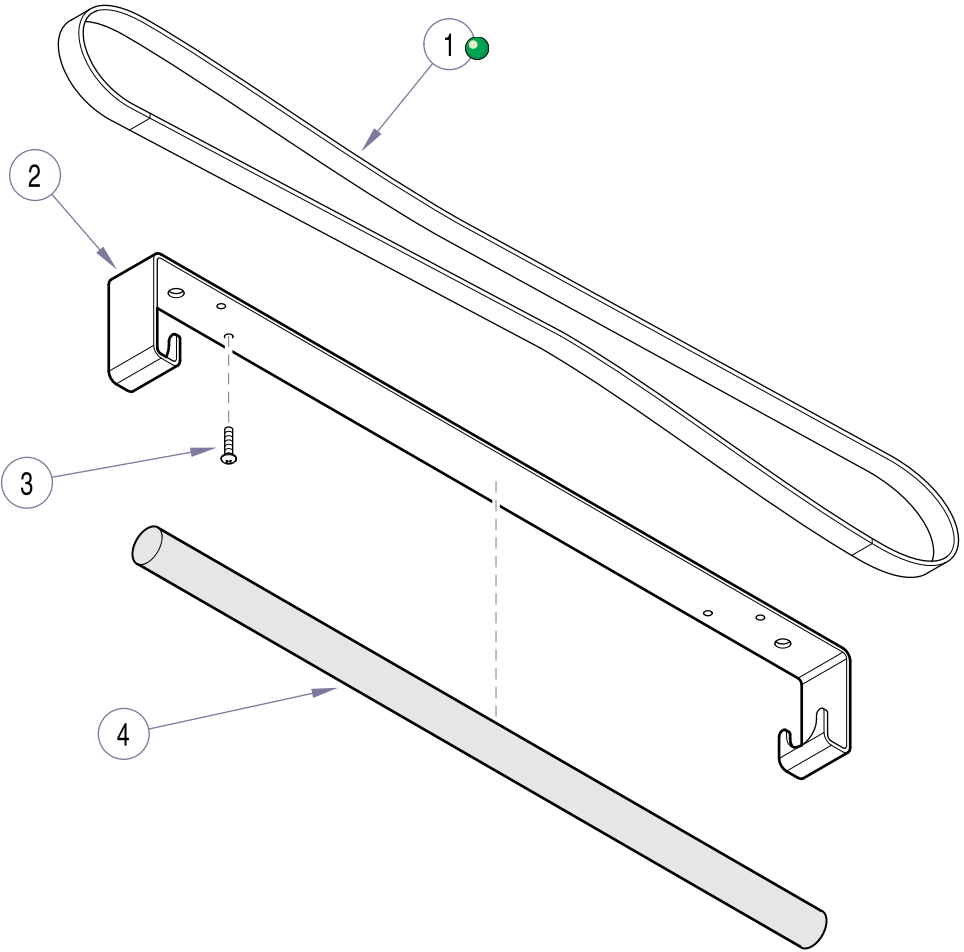
INSTALLATION

- A. Measure out from table face board 1 3/4" (4.7 cm) and draw a location mark on bottom surface of table top.
- B. Position *inside edge* of Paper Roll Holder Bracket on location mark and secure to table with four #8 x 3/4" screws.
- C. Install dowel rod.
- D. Install paper tear strips, one on each end.



Paper Roll Holder

Order 
 Medical and
 Animal Health
 Parts Online



MA564400

| Item | Part No. | Description | Qty. | Item | Part No. | Description | Qty. |
|------|---------------|--|------|------|---------------|--|------|
| | 9A145001 | Paper Roll Holder (Includes Items 1 thru 5) | 1 | 3 | • 040-0008-46 | • Screw | 4 |
| 1 | • 029-0452-02 | • Paper Tear Strip | 2 | 4 | • 055-0005-08 | • Dowel Rod | 1 |
| 2 | • 050-4690-40 | • Roll Holder Bracket | 1 | 5 | • 003-1101-00 | • Installation Instructions (Not Shown) .. | 1 |

Always Specify Model & Serial Number